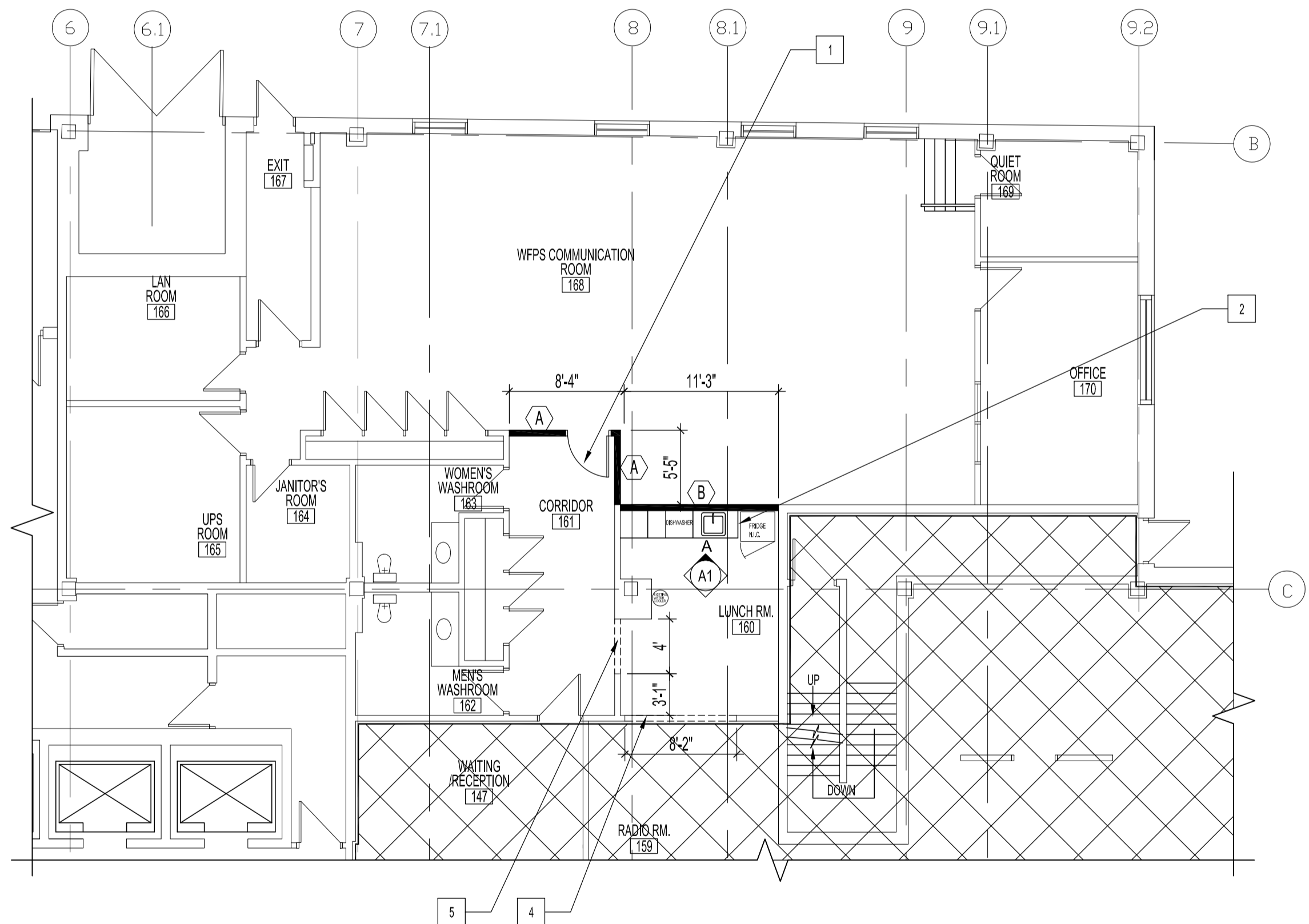
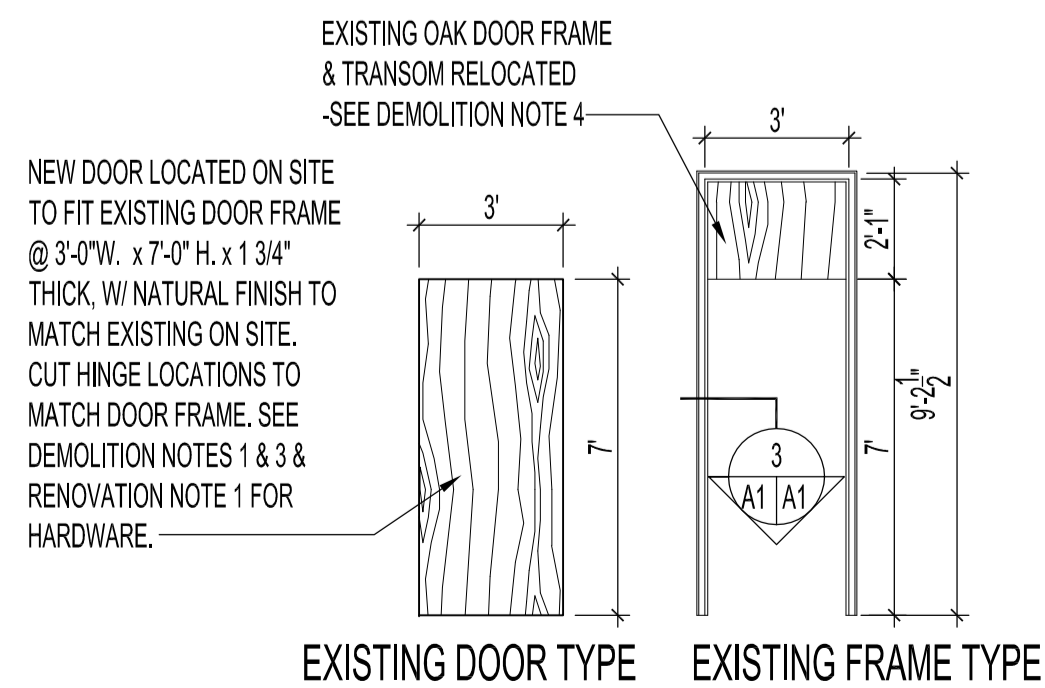


1 PARTIAL MAIN FLOOR PLAN - DEMOLITION  
SCALE: 1/8"=1'-0"



2 PARTIAL MAIN FLOOR PLAN - RENOVATION  
SCALE: 1/8"=1'-0"



DEMOLITION NOTES:

- REMOVE & DISCARD EXISTING DOOR, FRAME & SMALLER SIDELIGHT. SALVAGE EXISTING HINGES FOR NEW DOOR IN RENOVATION.
- REMOVE EXISTING VINYL WALLPAPER FROM WALL. CLEAN SURFACE, PATCH EXISTING HOLES AND PREPARE FOR NEW PAINT.
- REMOVE & SALVAGE EXISTING LOWER CABINETS & COUNTERTOP, SINK & FAUCET & DISHWASHER. REMAINING LOWER CABINETS (NOT USED IN RENOVATION) ALL UPPER CABINETS TO BE DISCARDED. SEE ELEVATIONS FOR LOCATION OF LOWER CABINETS.
- REMOVE & SALVAGE EXISTING OAK DOOR FRAME & TRANSOM FROM AREA NOT IN CONTRACT FOR RENOVATION. SEE RENOVATION DWG FOR NEW LOCATION.
- REMOVE WALL FOR NEW OPENING AS DIMENSIONED. OPENING TO HAVE BULKHEAD AT 7'-0" FROM FIN. FLOOR. SEE RENOVATION DWG FOR WALL TYPE.
- REMOVE & DISCARD EXISTING CLOSETS, FRAMES, SHELVING, EXISTING WOOD GLAZING UNIT & WALL.

RENOVATION NOTES:

- GENERAL RENOVATION NOTE:** INTERIOR & EXTERIOR WALL PATCHING IS REQUIRED ABOVE ACOUSTIC CEILING. SEE REFLECTED CEILING RENOVATION DWG., ELEC & MECH. DWG. FOR LOCATIONS.
- LOCATION OF SALVAGED OAK FRAME (FROM AREA NOT IN CONTRACT), HINGES FROM DISCARDED OAK DOOR. SUPPLY & INSTALL NEW SCHLAGE LEVER HANDLE W/ 626 FINISH, LCN CLOSER 1461, RICHELIEU 471-175 FLOOR STOP FOR CONCRETE FLOORS. NEW DOOR IS ON LOCATED SITE. SEE DOOR TYPES.
  - LOCATION OF EXISTING SALVAGED LOWER CABINETS COUNTERTOP, EXISTING DISHWASHER, SINK & FAUCET. SEE ELEVATION FOR USAGE OF CABINET UNITS & LOCATIONS. CUT EXISTING COUNTERTOP TO SUIT AS SHOWN ON ELEVATION.
  - EXISTING OPENING TO HAVE SIDES & HEADER FINISHED W/ GYP. BD., PATCH & PAINT.
  - NEW OPENING TO HAVE HEADER @ 7'-0" FROM FINISHED FLOOR. PATCH & PAINT. HEIGHT TO MATCH EXISTING FINISHED OPENING IN RENOVATION NOTE 3.

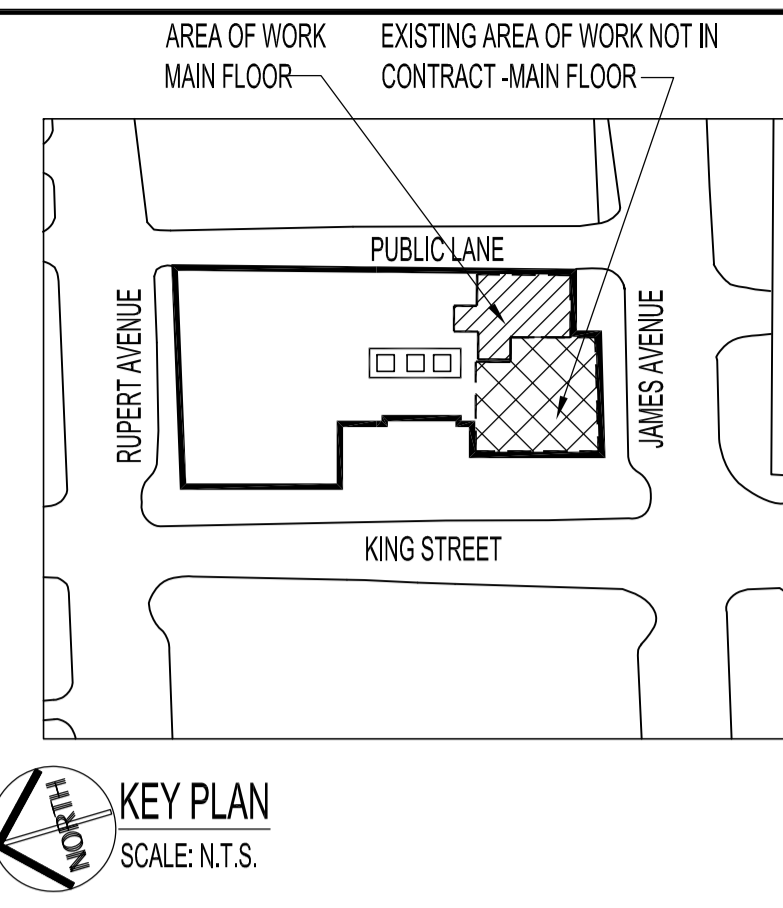
**LEGEND**

- AREA OF WORK NOT IN CONTRACT (ARCHITECTURAL ONLY)
- EXISTING DOORS TO REMAIN
- DEMOLISH WALLS - SEE NOTES
- NEW DOORS OR RELOCATED DOORS.
- NEW WALL PARTITIONS - SEE TYPES

**WALL TYPES**

**TYPE A**  
3 5/8" STEEL STUDS @ 16" O.C. W/ 5/8" GYPSUM BOARD B/S C/W SOUND ATTENUATION BATT. PARTITIONS TO EXTEND TO U/S OF ACOUSTIC CEILING TILE.

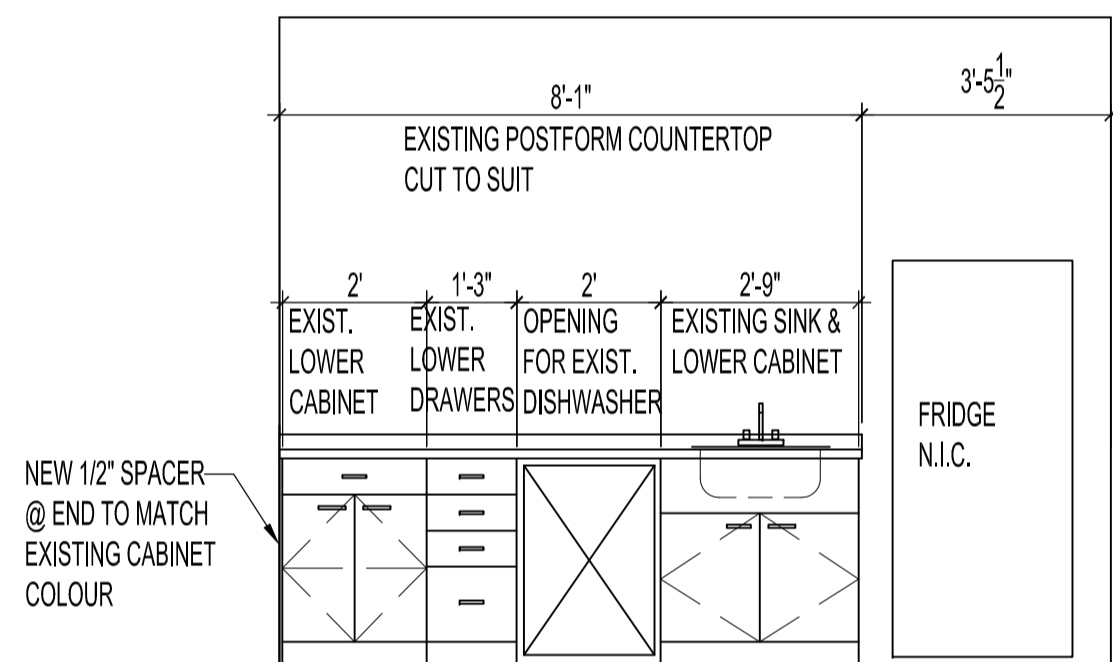
**TYPE B**  
PLUMBING CHASE WALL OF 3 5/8" STEEL STUDS OR 6" STEEL STUDS @ 16" O.C. C/W SOUND ATTENUATION BATT. W/ 1/2" GYPSUM BOARD B/S TO EXTEND TO U/S OF EXISTING BULKHEAD OR TO U/S OF EXISTING ACOUSTIC CLNG.



**NOTES :**  
THESE DRAWINGS SHALL NOT BE SCALED.  
THE CONTRACTOR SHALL VISIT THE SITE AND SATISFY ONESELF ALL DIMENSIONS, DATUM, AND DETAILED INFORMATION SHOWN ARE CORRECT.  
THE CONTRACTOR IS TO REVIEW AND COORDINATE ALL ARCHITECTURAL, MECHANICAL AND ELECTRICAL DRAWINGS FOR ADDITIONAL OPENINGS THROUGH FLOORS, WALLS, AND CEILINGS FOR DUCT, PIPE & ELECTRICAL RISERS AND ALL OPENINGS NOT SHOWN ON DRAWINGS.  
ALL OPENINGS THROUGH FIRE ASSEMBLIES ARE TO BE FIRE STOPPED AND SEALED WITH ULC APPROVED FIRE STOPPING TO MAINTAIN THE INTEGRITY OF THE FIRE SEPARATION, AND PROVIDE A SMOKE-TIGHT BARRIER.  
ALL PRODUCTS AND MATERIALS TO BE USED AND INSTALLED SHALL CONFORM WITH MANUFACTURER'S SPECIFICATIONS & APPLICABLE CODES.  
THE CONTRACTOR SHALL BE RESPONSIBLE TO PATCH AND MAKE GOOD ALL EXISTING CONSTRUCTION AFFECTED BY THE REMOVAL OF ALL ITEMS FORMING THE PART OF THE RENOVATION WORK.  
WHERE NEW FLOORING AND BASE IS TO BE INSTALLED IN EXISTING AREAS (REFER TO FLOOR PLAN AND ROOM SCHEDULE) THE EXISTING FLOORING SURFACE AND BASE MUST BE REMOVED, UNLESS OTHERWISE NOTED. ALL FLOOR SURFACES SHALL BE PREPARED IN ACCORDANCE TO MANUFACTURER'S RECOMMENDATIONS FOR INSTALLATION OF NEW FLOORING.  
WHERE PAINTING OF EXISTING WALLS IS INDICATED ON THE ROOM SCHEDULE, THESE WALLS MUST BE CLEANED OF ANY EXISTING WALL COVERING, PATCHED & PREPARED TO ACCEPT NEW MATERIAL, UNLESS OTHERWISE NOTED.

**DRAWING LIST**

SHEET No.	SHEET TITLE
A1	PARTIAL MAIN FLOOR PLAN - DEMOLITION & RENOVATION PLANS, ROOM FINISH SCHEDULE
A2	PARTIAL MAIN FLOOR PLAN - REFLECTED CEILING PLAN DEMOLITION & RENOVATION
A3	PARTIAL MAIN FLOOR PLAN - FLOOR FINISH & FURNITURE PLAN

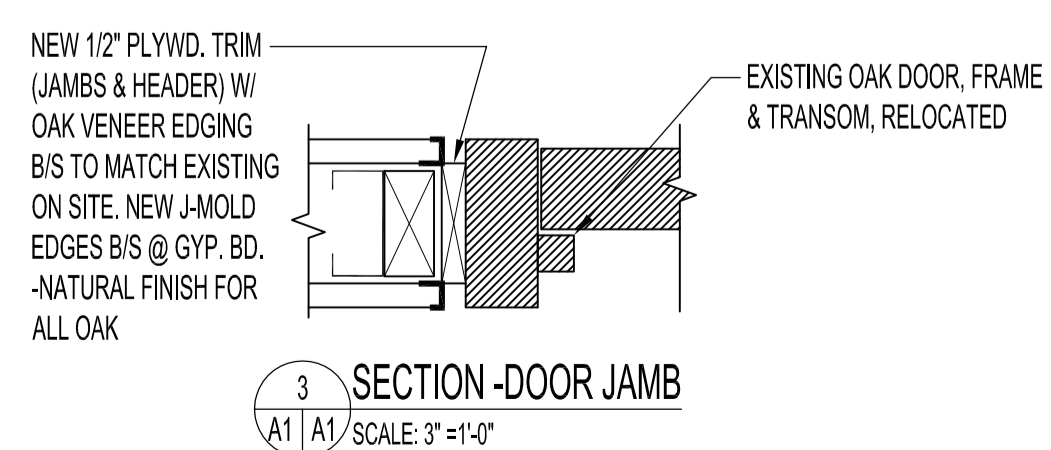


A ELEVATION - LUNCH AREA  
SCALE: 3/8"=1'-0"

**ROOM FINISH SCHEDULE**

ROOM NO.	ROOM NAME	FLOOR	BASEBOARD	NORTH WALL	SOUTH WALL	EAST WALL	WEST WALL	CEILING	CEILING HEIGHT	NOTES
159	RADIO RM.	EXISTING				PT.	EXISTING			
160	LUNCH ROOM	VCT #1	R.B.B. #1	PT.	PT.	PT.	PT.	AC. TILE	9'-3"	EXISTING 3/4" x 3/4" OAK TRIM @ BASE TO REMAIN-INSTALL, RELOCATE & REPLACE AS REQUIRED
161	CORRIDOR	CARPET #1	R.B.B. #1	PT.	PT.	PT.	PT.			EXISTING 3/4" x 3/4" OAK TRIM @ BASE TO REMAIN-INSTALL, RELOCATE & REPLACE AS REQUIRED
162	MENS WASHROOM	EXISTING	EXISTING	PT.	PT.	PT.	PT.			EXISTING METAL DOOR FRAME TO BE PAINTED
163	WOMEN'S WASHROOM	EXISTING	EXISTING	PT.	PT.	PT.	PT.			EXISTING METAL DOOR FRAME TO BE PAINTED
164	JANITOR'S ROOM	EXISTING								
165	UPS ROOM	EXISTING	EXISTING	PT.	PT.	PT.	PT.			
166	LAN ROOM	EXISTING								
167	EXIT CORRIDOR	CARPET #1	R.B.B. #1	PT.	PT.	PT.	PT.			EXISTING METAL DOOR FRAME TO BE PAINTED EXISTING 3/4" x 3/4" OAK TRIM @ BASE TO REMAIN-INSTALL, RELOCATE & REPLACE AS REQUIRED
168	WFPS COMMUNICATION ROOM	CARPET #1	R.B.B. #1	PT.	PT.	PT.	PT.			EXISTING 3/4" x 3/4" OAK TRIM @ BASE TO REMAIN-INSTALL, RELOCATE & REPLACE AS REQUIRED
169	QUIET ROOM	CARPET #1	R.B.B. #1	PT.	PT.	PT.	PT.			EXISTING 3/4" x 3/4" OAK TRIM @ BASE TO REMAIN-INSTALL, RELOCATE & REPLACE AS REQUIRED
170	OFFICE	CARPET #1	R.B.B. #1	PT.	PT.	PT.	PT.		9'-3"	EXISTING 3/4" x 3/4" OAK TRIM @ BASE TO REMAIN-INSTALL, RELOCATE & REPLACE AS REQUIRED

ABBREVIATIONS: CARPET #1, VCT#1 - VINYL COMPOSITE TILE, R.B.B.#1 - RUBBER BASEBOARD - SEE FLOOR FINISH PLAN, PT. - PAINT



3 SECTION - DOOR JAMB  
SCALE: 3"=1'-0"

NO.	REVISION/DESCRIPTION	BY	DATE
SEALS			

ORIGINAL STAMPED BY: R.K. FOK LI, Arch.  
DATE: 2010.12.10

DRAWN BY: MMK | CHECKED BY: USER | APPROVED: USER APPROVAL  
DATE: 2010.09.31

**CITY OF WINNIPEG**  
PLANNING, PROPERTY AND DEVELOPMENT DEPARTMENT  
CIVIC ACCOMMODATIONS DIVISION  
300 - 65 GARRY ST. R3C 4K4

PROJECT: MANDARIN BUILDING  
ALTERNATE EMERGENCY COMMUNICATION CENTRE  
185 KING STREET

SHEET TITLE: PARTIAL MAIN FLOOR PLAN - DEMOLITION & RENOVATION PLANS, ROOM FINISH SCHEDULE

SCALE: AS SHOWN | PROJECT NO.: 2008-095-03 | SHEET NO.: A1