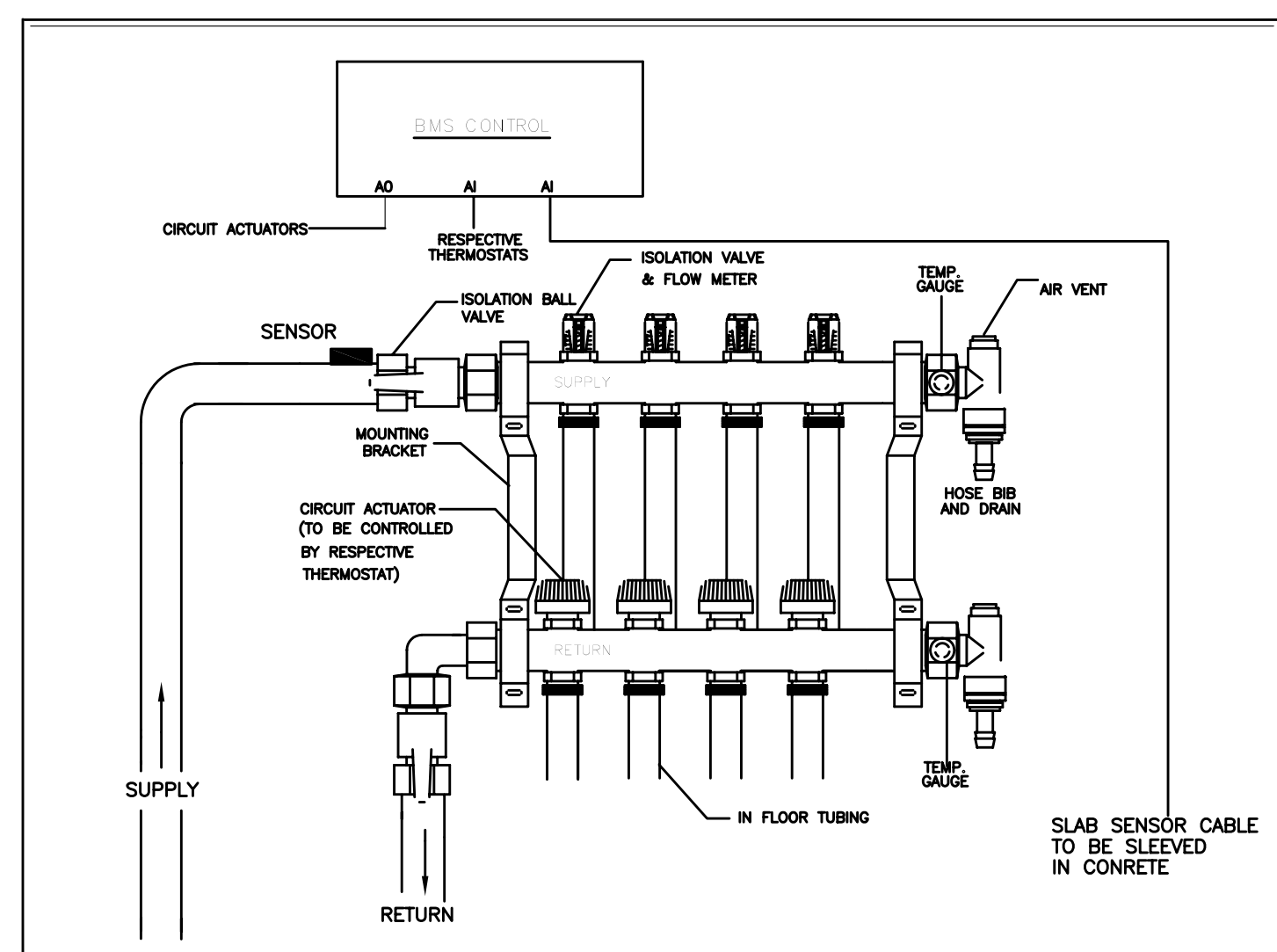
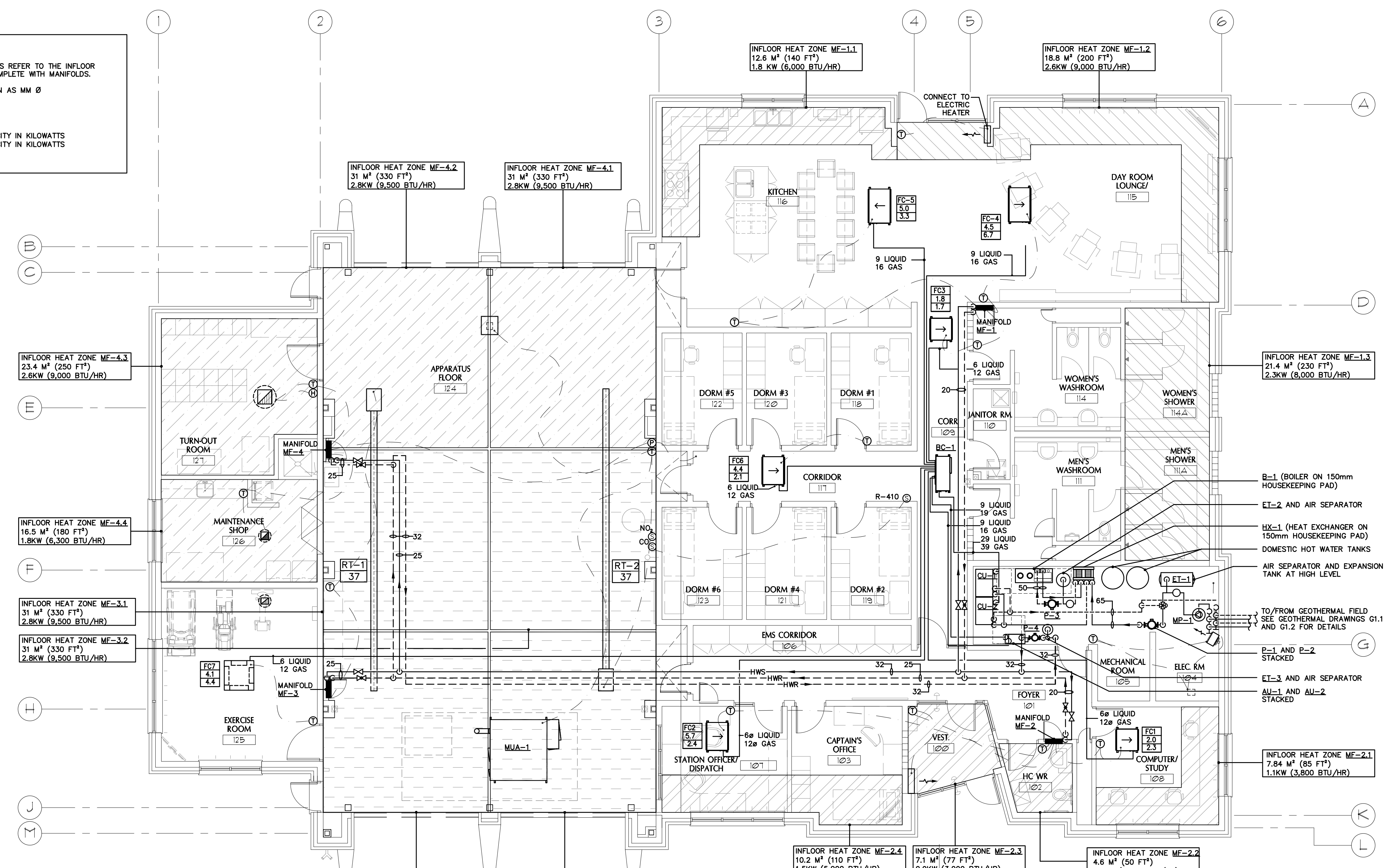


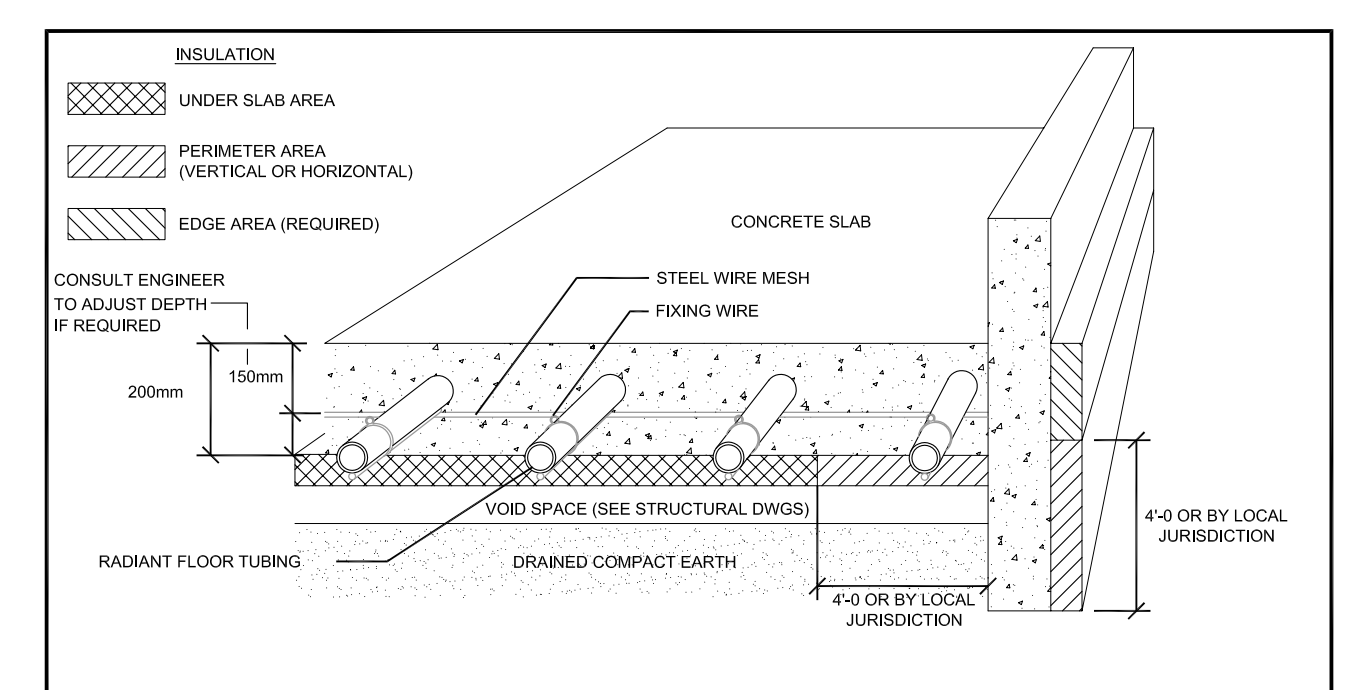
NO.	DATE	DESCRIPTION
1	MAY 14, 2010	ISSUED FOR CLIENT REVIEW
2	MAY 19, 2010	ISSUED FOR CLIENT REVIEW
3	SEPT. 24, 2010	ISSUED FOR BUILDING PERMIT
4	DEC. 10, 2010	ISSUED FOR TENDER

NOTES:  
 1. ALL HATCHED AREAS REFER TO THE INFLOOR HEATING ZONES COMPLETE WITH MANIFOLDS.  
 2. PIPING SIZES SHOWN AS MM Ø

LEGEND:  
 FC# COOLING CAPACITY IN KILOWATTS  
 KW HEATING CAPACITY IN KILOWATTS



1 M3.1 TYPICAL MANIFOLD DETAIL WITH ZONE VALVE  
 SCALE NTS



2 M3.1 SLAB ON GRADE INSTALLATION  
 SCALE NTS

**VRM**  
 VANDERWESTEN RUTHERFORD MANTECON INC.  
 CONSULTING STRUCTURAL, MECHANICAL, ELECTRICAL ENGINEERS  
 LONDON · HAMILTON · WINNIPEG · OTTAWA  
 7242 COLONEL TALBOT ROAD, LONDON, ONTARIO, N6L 1H6  
 PHONE: (519) 882-9041 FAX: (519) 882-9059 www.vrmeng.com

REVIEW ALL DRAWINGS AND VERIFY ALL DIMENSIONS. AT THE SITE DO NOT SCALE THE DRAWINGS. REPORT ALL DISCREPANCIES TO THE ENGINEER BEFORE PROCEEDING WITH ANY CONSTRUCTION OR SHOP FABRICATION. ALL DRAWINGS, SPECIFICATIONS AND RELATED DOCUMENTS ARE THE COPYRIGHT PROPERTY OF VANDERWESTEN RUTHERFORD MANTECON AND MUST BE RETURNED UPON REQUEST. REPRODUCTION OF DRAWINGS, SPECIFICATIONS AND RELATED DOCUMENTS IN PART OR WHOLE IS FORBIDDEN WITHOUT THE CONSULTANT'S WRITTEN PERMISSION.

PROJECT NAME:  
**NEW WINNIPEG STATION No. 27 PROJECT**

SAGE CREEK, WINNIPEG, MANITOBA

DRAWING TITLE:  
**FLOOR PLAN PIPING**

PROJECT NORTH:

STAMP: VRM #10-113

SCALE: 1/16

DATE: DECEMBER 10, 2010

ISSUED: DECEMBER 10, 2010

DRAWN BY: MC

CHECKED BY: WAR

PROJECT NO.: 2261

FILE NAME:

DRAWING NO.: M3.1