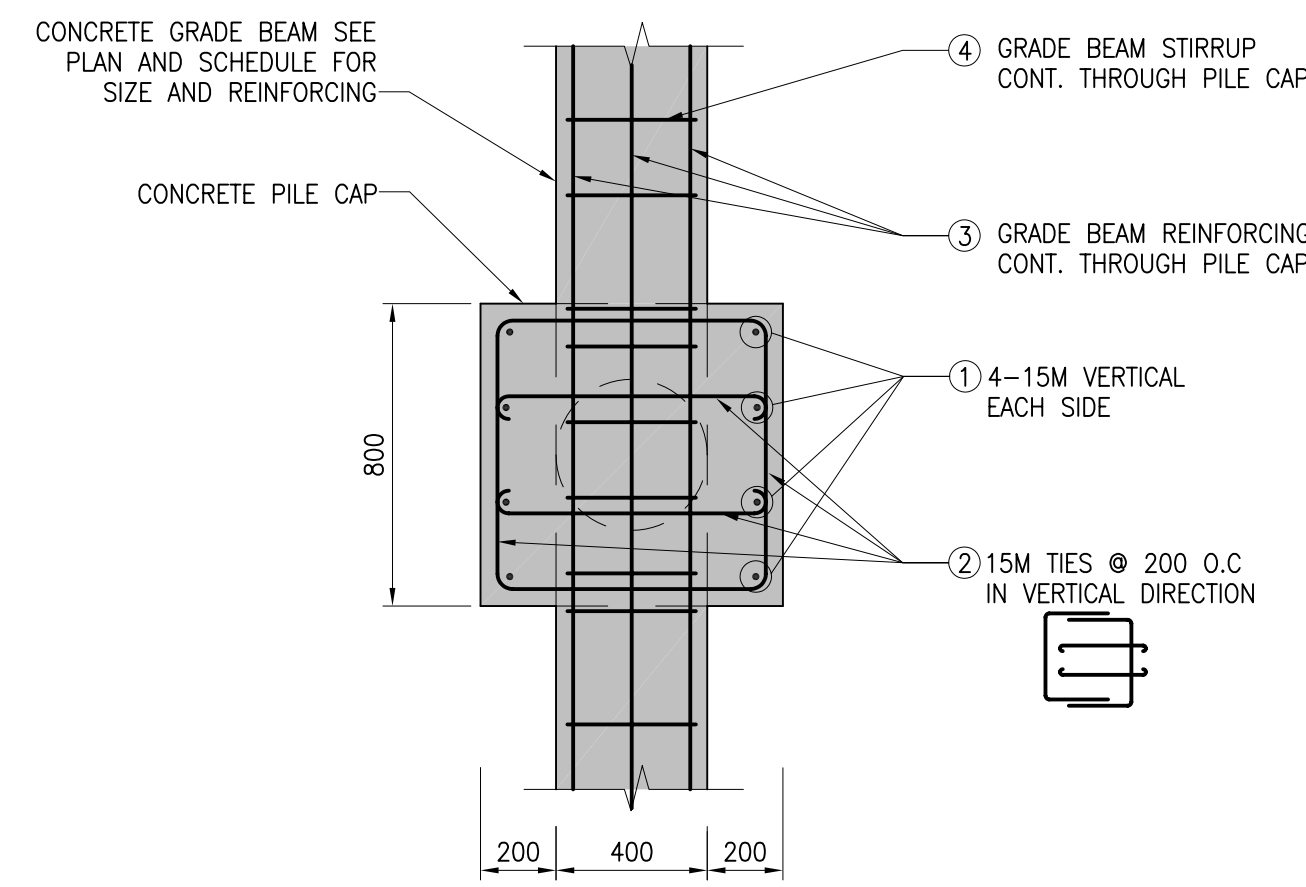
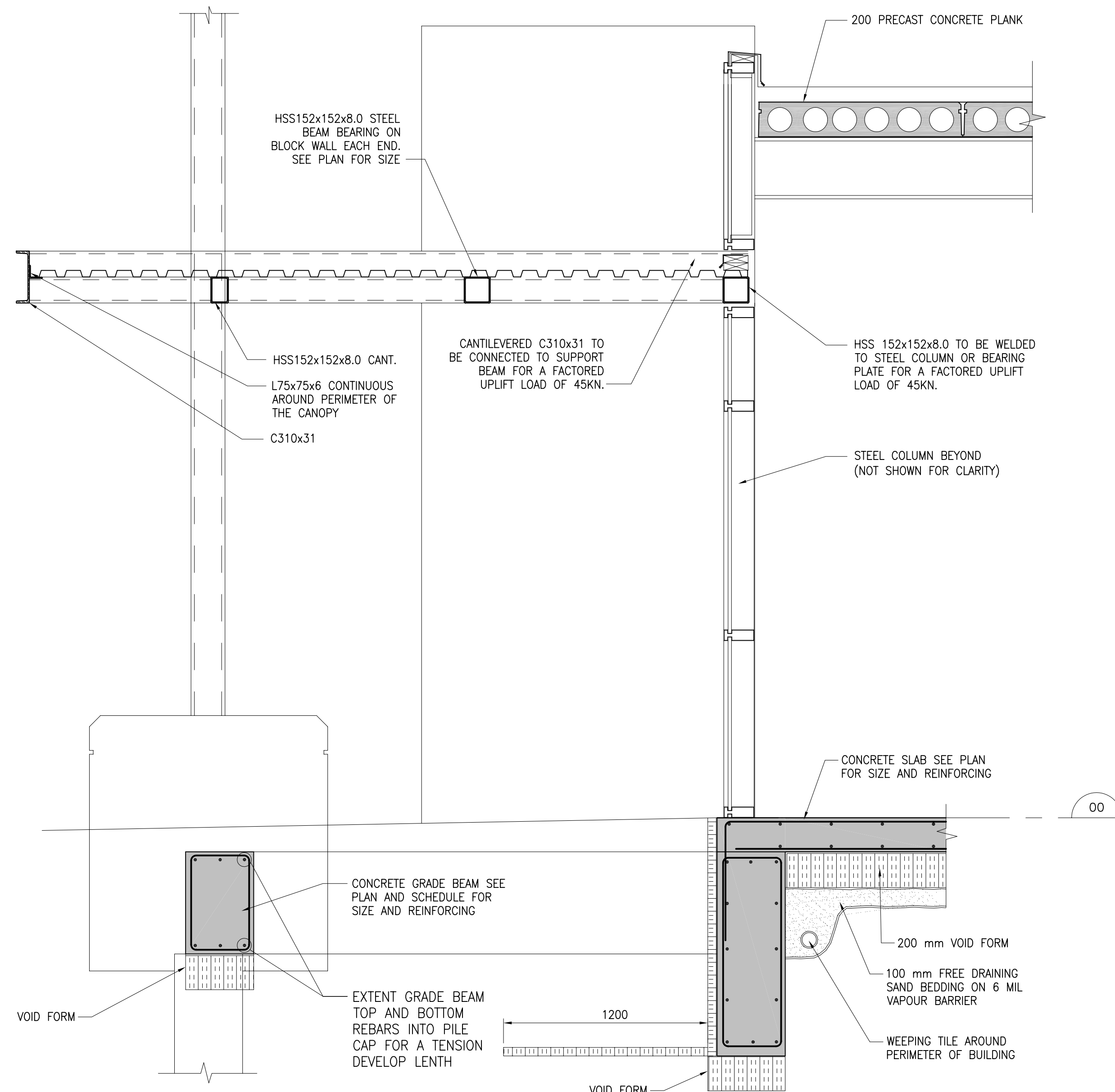


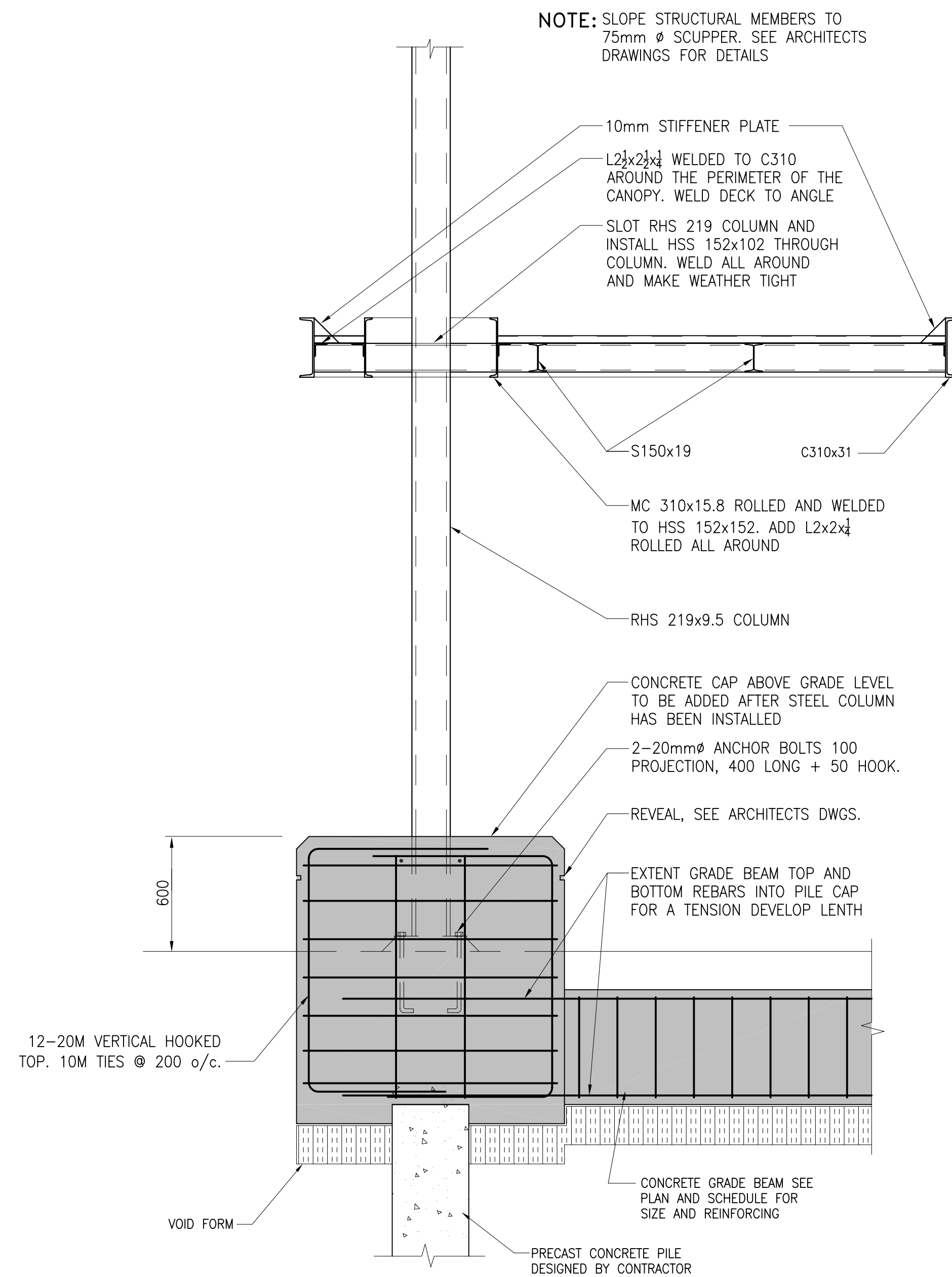
SECTION 43
SCALE: 1:20
S1.1



SECTION 44
SCALE: 1:20
S2.4



SECTION 41
SCALE: 1:20
S1.1, S1.2



SECTION 42
SCALE: 1:20
S1.1, S1.2

ISSUES:		
NO.	DATE	DESCRIPTION
1	SEP. 24, 2010	ISSUED FOR TENDER
2	DEC. 16, 2010	ISSUED FOR CONSTRUCTION

© COPYRIGHT MURPHY & MURPHY ARCHITECT 2009
NOT TO BE REPRODUCED WITHOUT CONSENT OF ARCHITECT.

VanBoxmeer & Stranges Ltd.
STRUCTURAL ENGINEERS
458 Queens Ave, London, ON, Canada N6B 1X9
tel. (519) 433-4661 fax. (519) 433-6420
E-mail vbands@vbands.com

MURPHY & MURPHY ARCHITECT INC.
775 WATERLOO STREET, LONDON, ONTARIO N6A 3W5
PH: (519) 433-5161 FAX: (519) 433-5163

A. Detail Number
B. Drawing Number - Where Detail Found

CONTRACTOR SHALL CHECK ALL DIMENSIONS ON THE DRAWINGS AND REPORT ANY DISCREPANCIES TO THE ARCHITECT BEFORE PROCEEDING. ALL DRAWINGS AND SPECIFICATIONS ARE PROPERTY OF THE ARCHITECT AND MUST BE RETURNED AT THE COMPLETION OF THE WORK. DRAWINGS ARE NOT TO BE SCALED. USE ONLY THE LATEST REVISED DRAWINGS OR THOSE THAT ARE MARKED "HARDED FOR CONSTRUCTION". ANY UNAUTHORIZED USE IS PROHIBITED. AREA CALCULATIONS ARE APPROXIMATE.

PROJECT NAME:

NEW WINNIPEG STATION No. 27 PROJECT

WINNIPEG, MANITOBA

DRAWING TITLE:

CANOPY SECTIONS, PILE CAP DETAIL

PROJECT NORTH:

STAMP:



SCALE:

PROJECT NO.:

10123

DATE:

FILE NAME:

ISSUED:

MAY 20 2010

DRAWN BY:

DZ

CHECKED BY:

RAS

DRAWING NO.:

S2.4