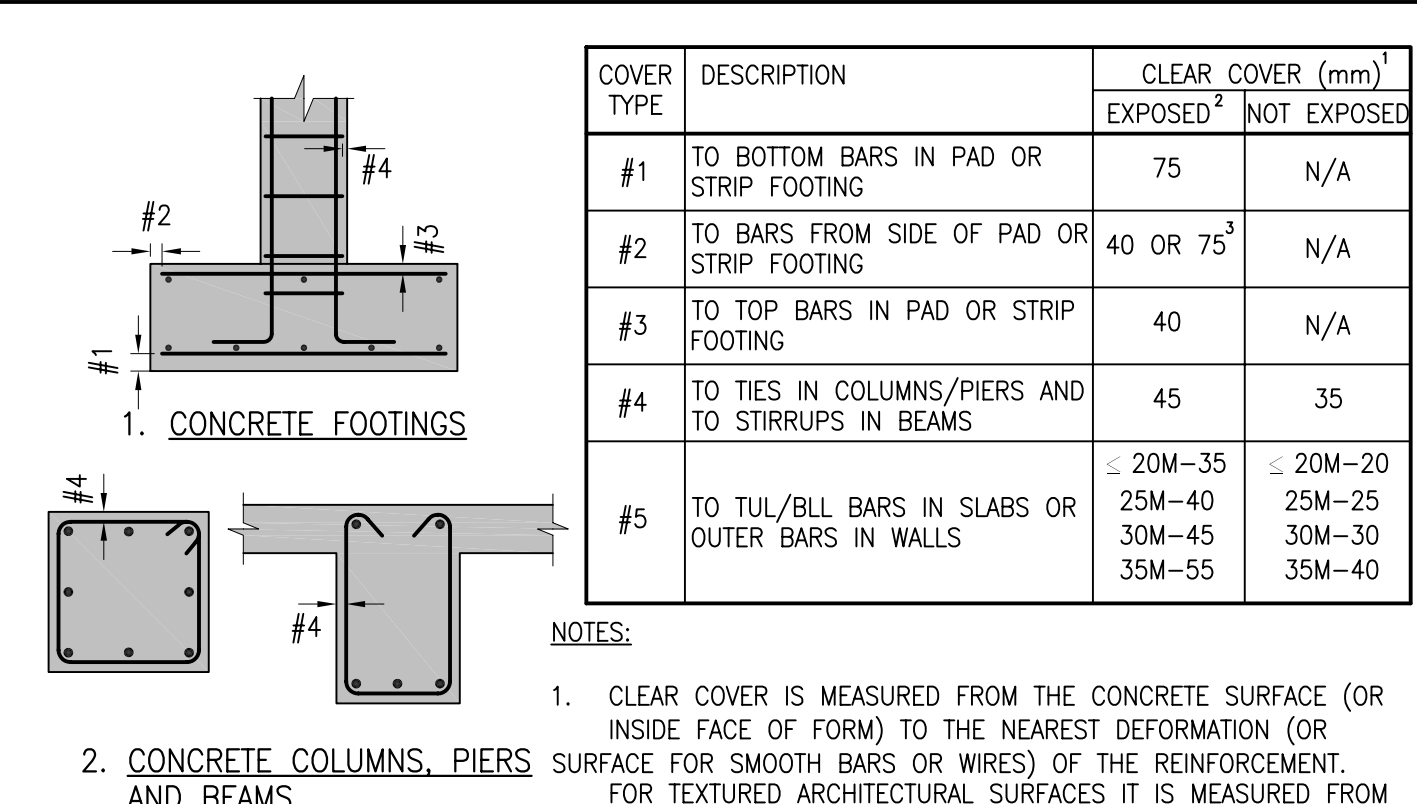
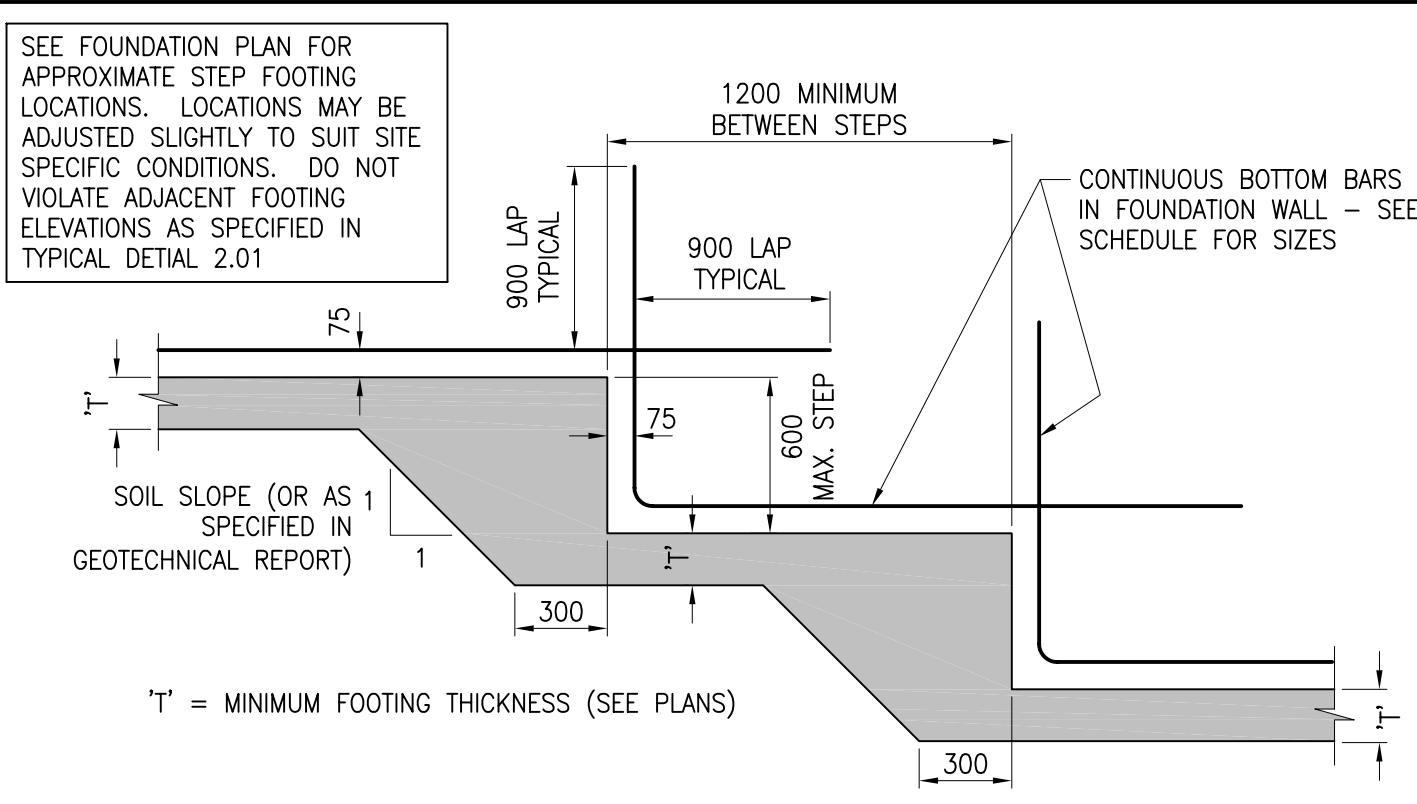


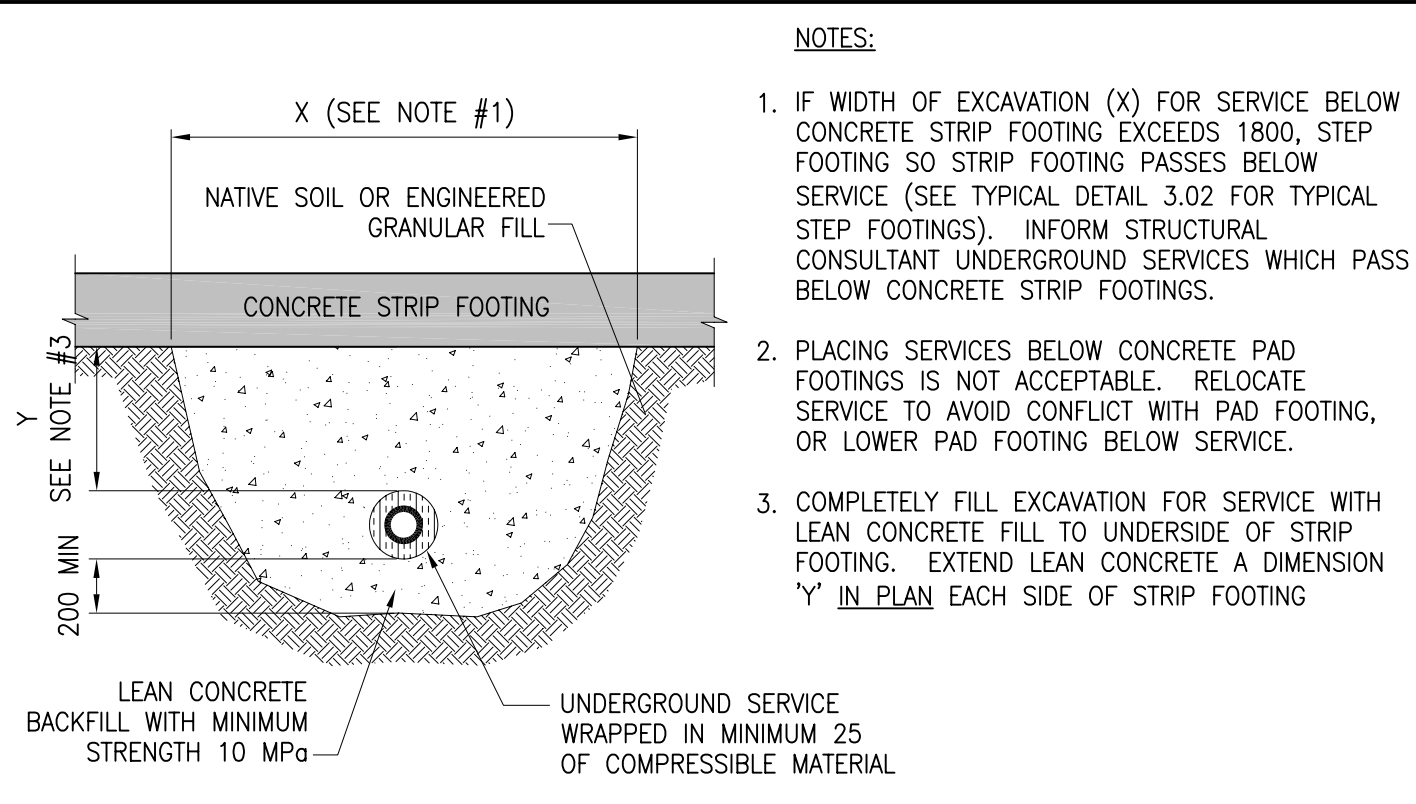
**2.01 TYPICAL SECTION THROUGH ADJACENT EXCAVATIONS**



**3.01 COVER TO REINFORCING BARS IN CONCRETE ELEMENTS**



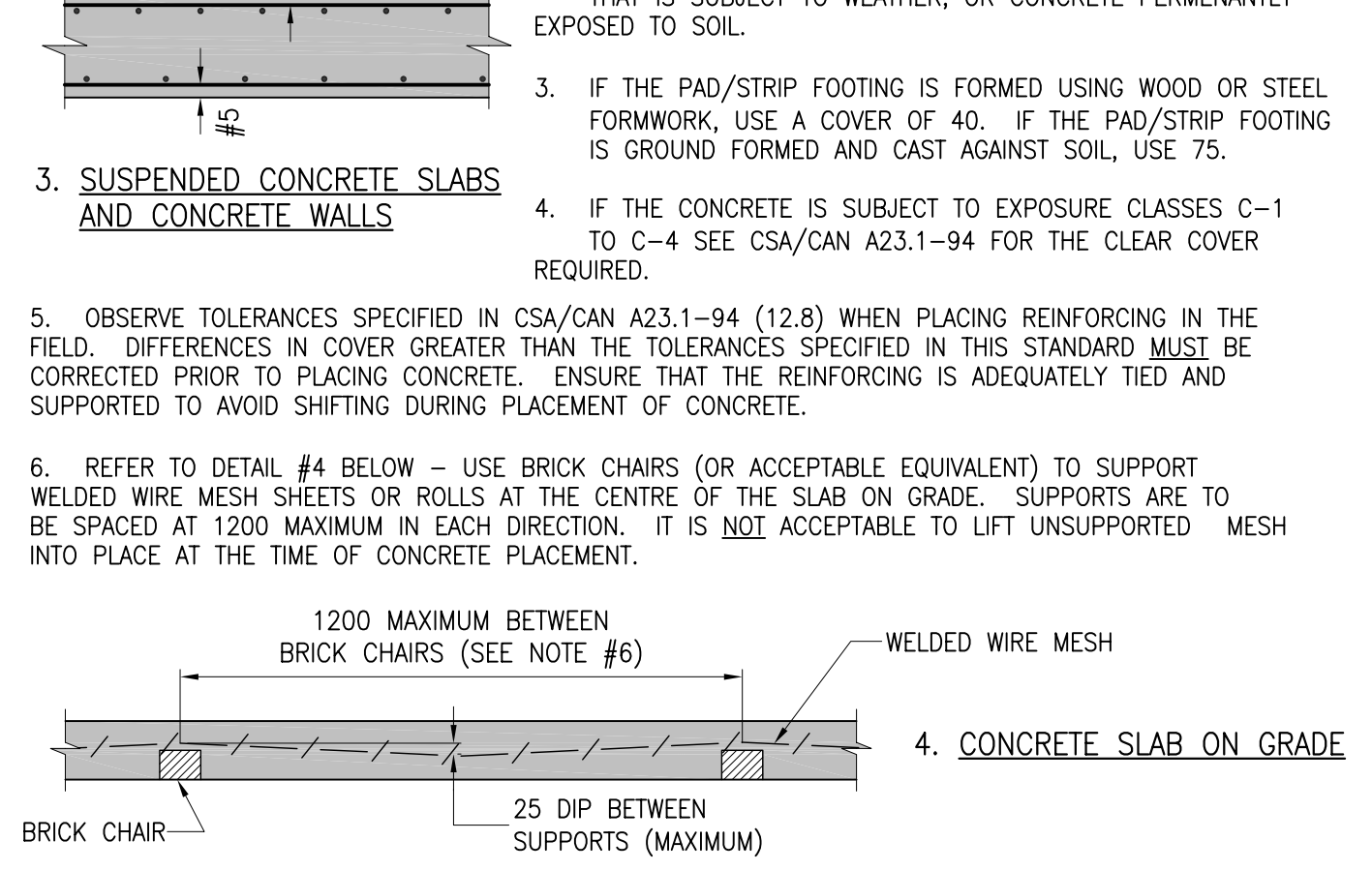
**3.02 TYPICAL STEP FOOTING**



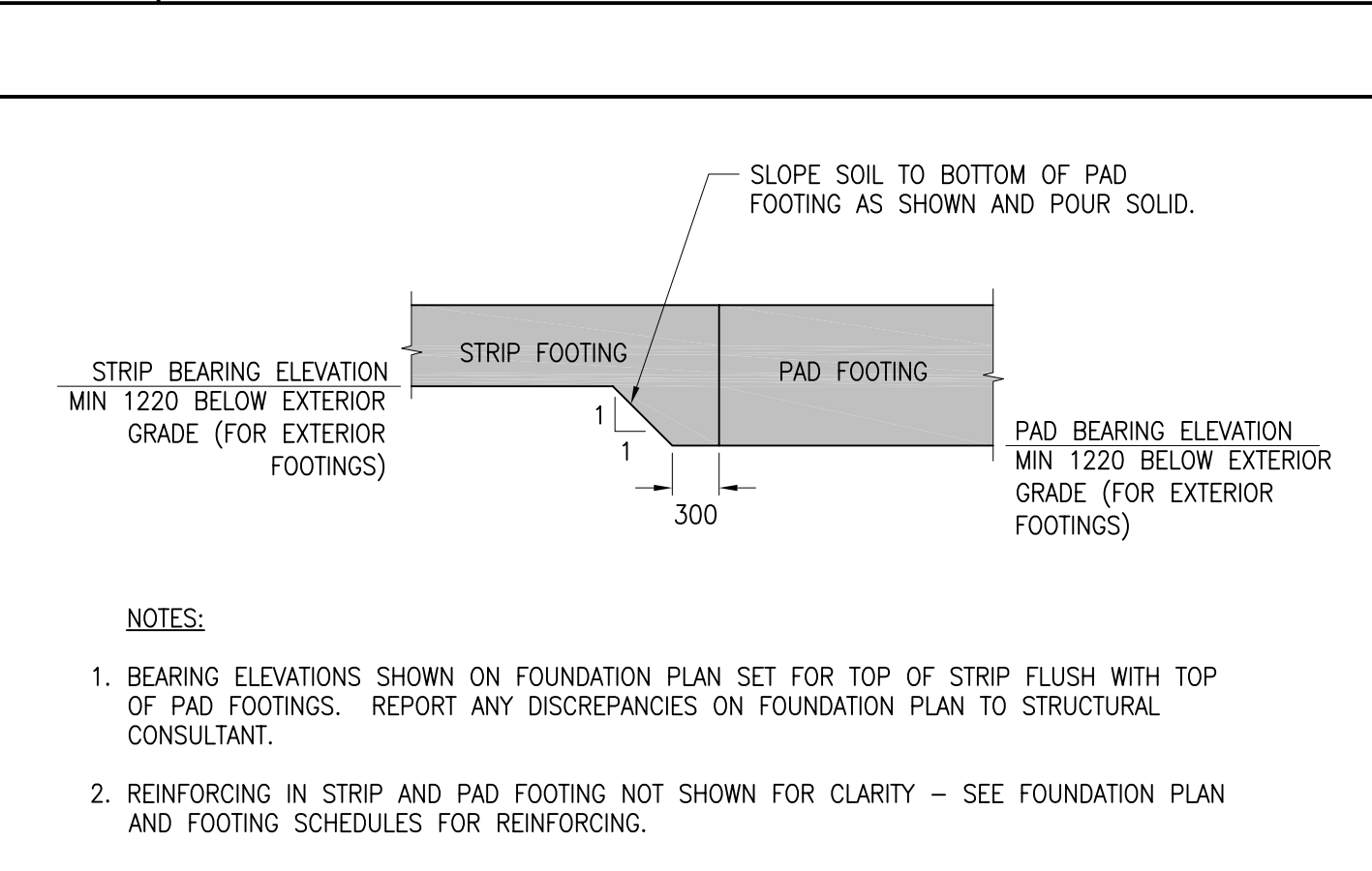
**3.04 UNDERGROUND SERVICE BELOW CONTINUOUS CONCRETE STRIP FOOTINGS**



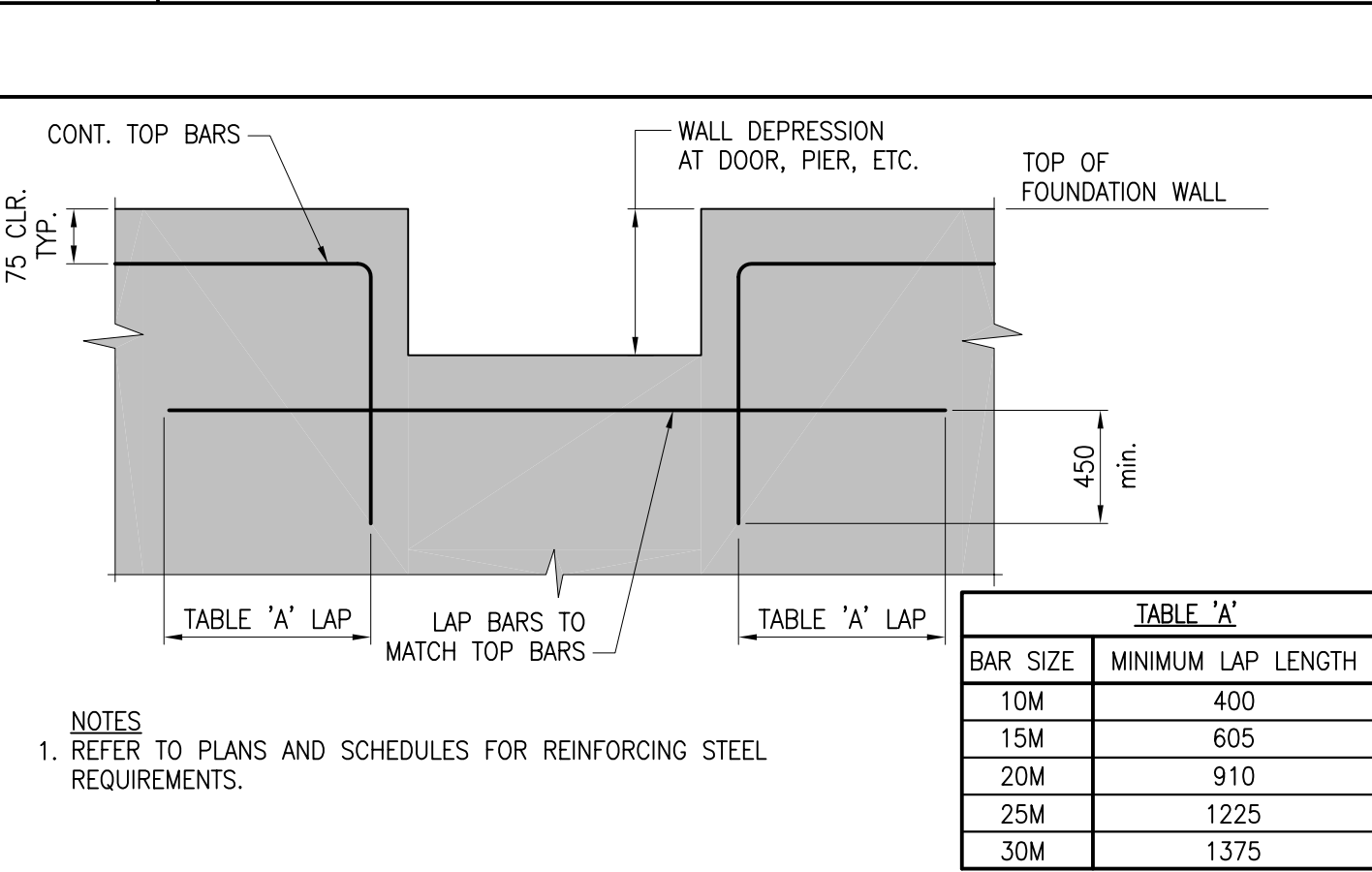
**3.03 STRIP FOOTING ADJACENT TO DEEPER PAD FOOTING**



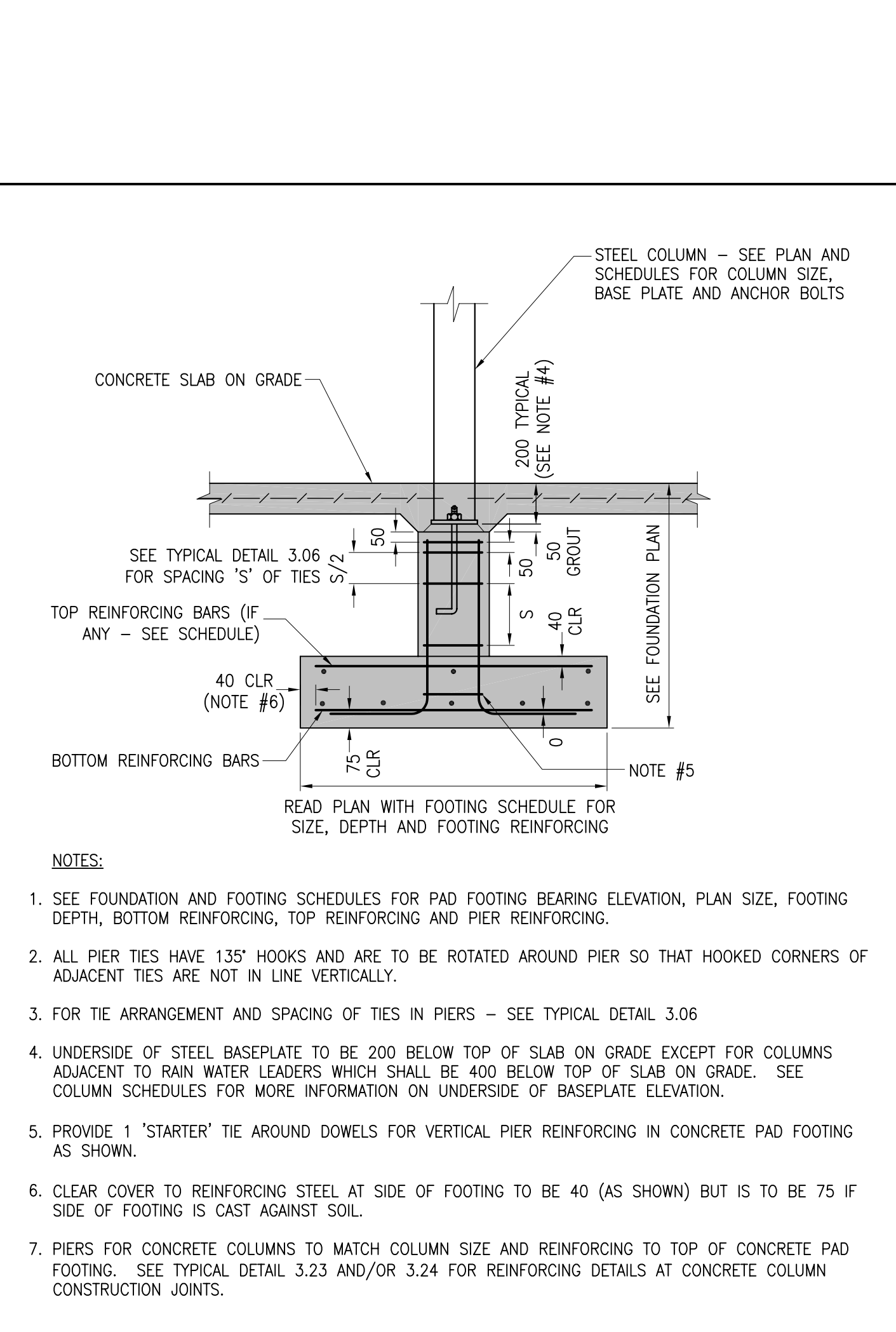
**3.05 TYPICAL CONCRETE PAD FOOTING**



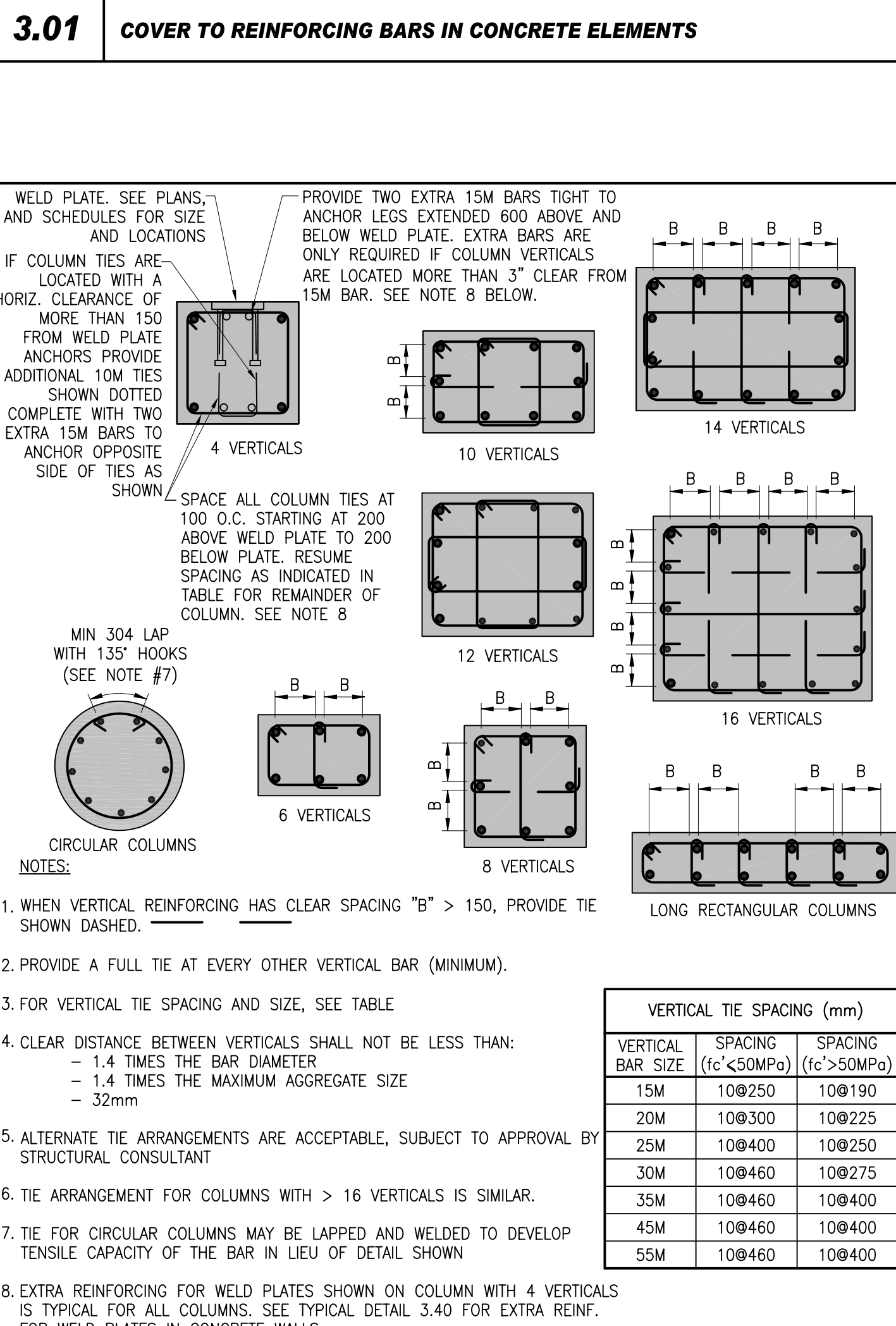
**3.09 TYPICAL HORIZONTAL CORNER REINFORCING DETAILS FOR WALLS**



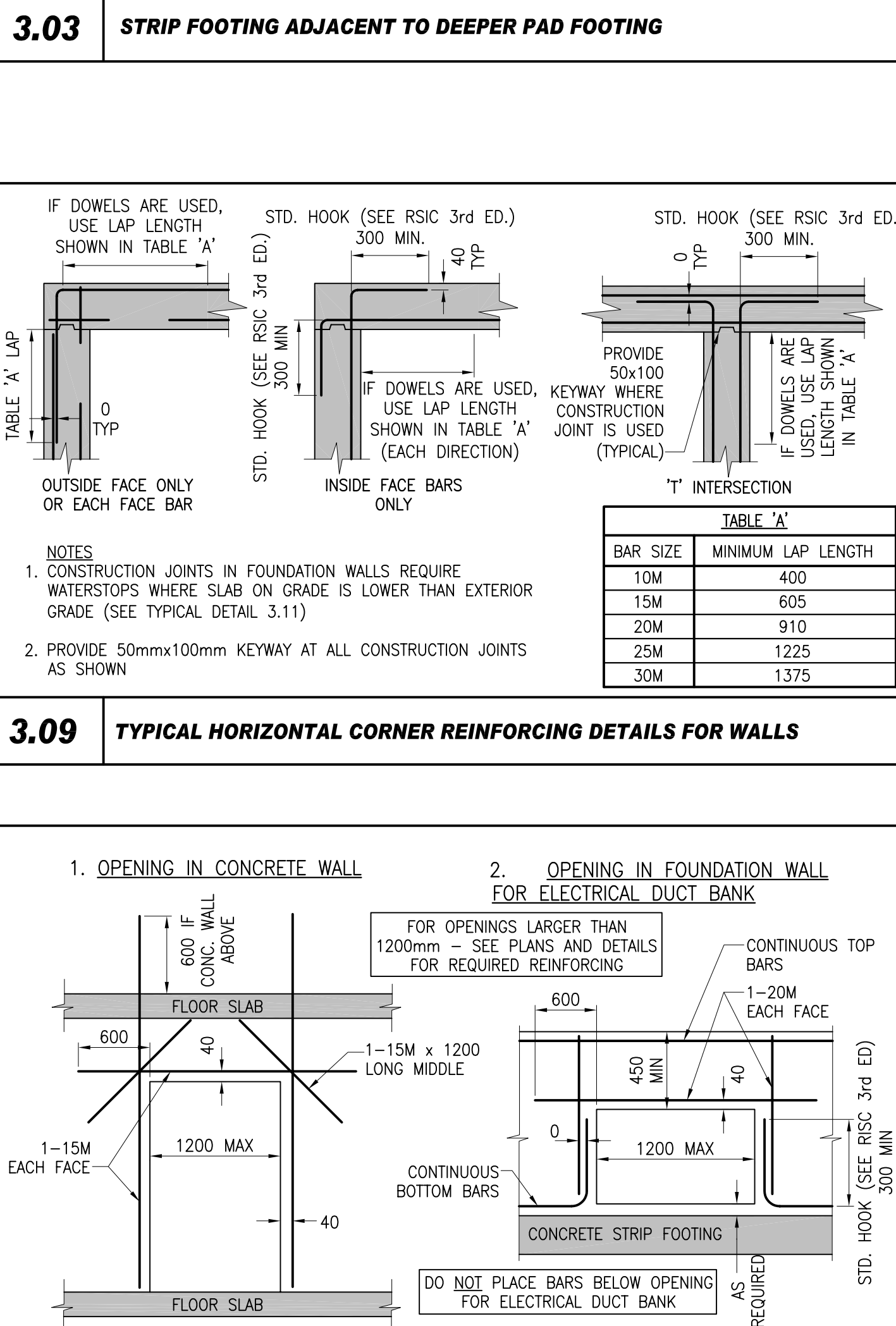
**3.11 TYPICAL JOINTS IN CONCRETE WALLS**



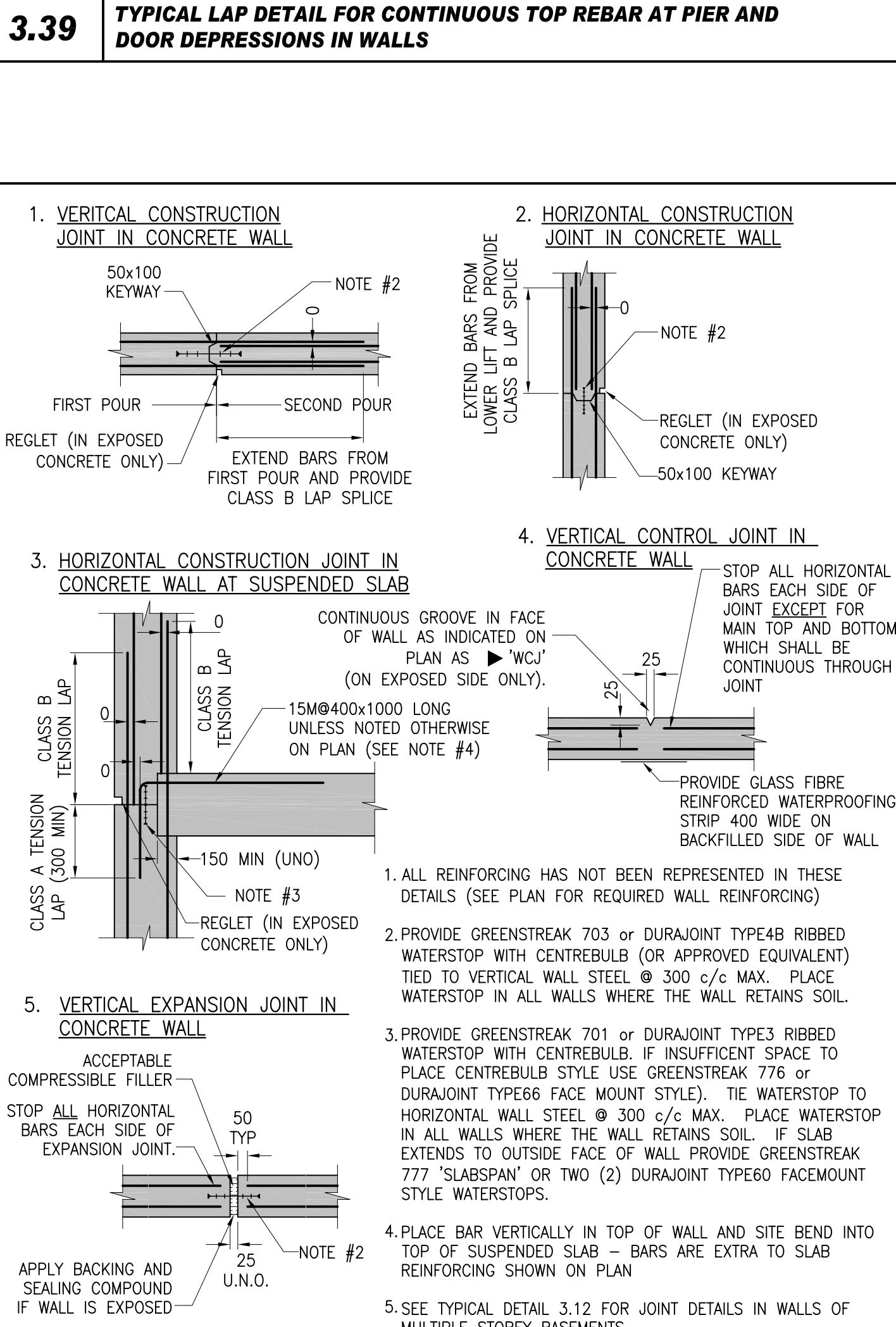
**3.06 TIE ARRANGEMENT IN CONCRETE COLUMNS AND PIERS**



**3.10 TYPICAL OPENING IN CONCRETE WALL**



**3.11 TYPICAL JOINTS IN CONCRETE WALLS**



**3.11 TYPICAL JOINTS IN CONCRETE WALLS**

NO.	DATE	DESCRIPTION
1	SEP. 24, 2010	ISSUED FOR TENDER
2	DEC. 16, 2010	ISSUED FOR CONSTRUCTION

© COPYRIGHT MURPHY & MURPHY ARCHITECT 2009  
NOT TO BE REPRODUCED WITHOUT CONSENT OF ARCHITECT.

**VanBoxmeer & Stranges Ltd.**  
STRUCTURAL ENGINEERS  
458 Queens Ave, London, ON, Canada N6B 1X9  
tel. (519) 433-4661 fax. (519) 433-6420  
E-mail vbands@vbands.com

**MURPHY & MURPHY ARCHITECT INC.**  
775 WATERLOO STREET, LONDON, ONTARIO N6A 3W5  
PH (519) 433-5161 FAX (519) 433-5163

A Detail Number  
B Drawing Number - Where Detail Found

CONTRACTOR SHALL CHECK ALL DIMENSIONS ON THE DRAWINGS AND REPORT ANY DISCREPANCIES TO THE ARCHITECT BEFORE PROCEEDING. ALL DRAWINGS AND SPECIFICATIONS ARE PROPERTY OF THE ARCHITECT AND MUST BE RETURNED AT THE COMPLETION OF THE WORK. DRAWINGS ARE NOT TO BE SCALED. USE ONLY THE LATEST REVISED DRAWINGS OR THOSE THAT ARE MARKED "HOLD FOR CONSTRUCTION". ANY UNAUTHORIZED USE IS PROHIBITED. AREA CALCULATIONS ARE APPROXIMATE.

PROJECT NAME:  
**NEW WINNIPEG STATION No. 27 PROJECT**

WINNIPEG, MANITOBA

DRAWING TITLE:  
**TYPICAL DETAILS 1 CONCRETE FOUNDATION & SLAB**

PROJECT NORTH:  
STAMP:  
SCALE:  
DATE:  
ISSUED:  
DRAWN BY:  
CHECKED BY:

PROJECT NO.:  
**10123**

FILE NAME:  
**S3.1**

DRAWING NO.:  
MAY 20 2010  
DZ  
RAS