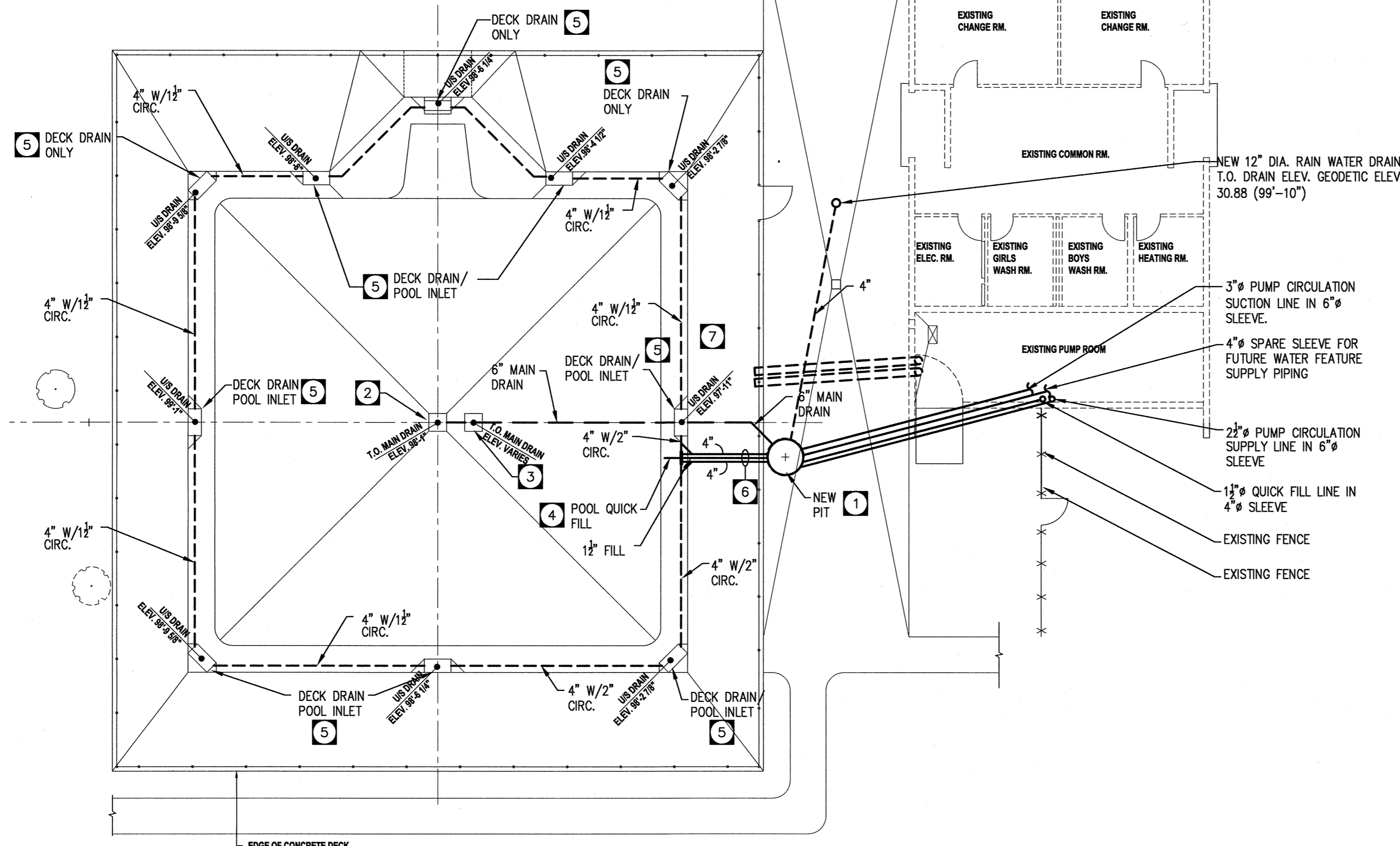


DRAWING NOTES

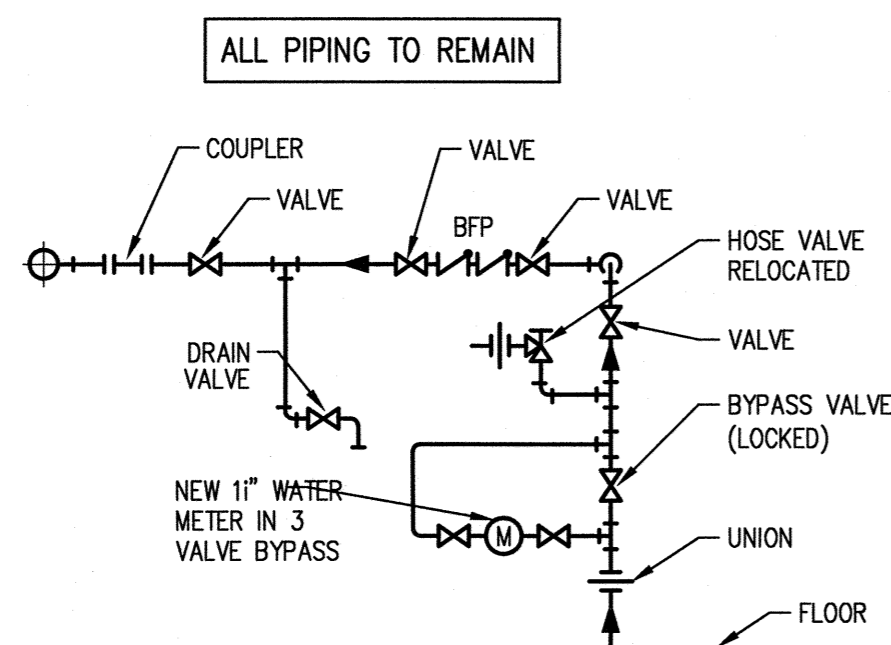
- 1 NEW MAIN DRAIN PIT. SEE DETAIL DRAWING M-3.
- 2 NEW MAIN DRAIN. SEE DETAIL DRAWING M-3.
- 3 NEW AUX. DRAIN. SEE DETAIL DRAWING M-3.
- 4 NEW POOL QUICK FILL FITTING. SEE SPECIFICATION.
- 5 NEW DECK DRAIN/POOL INLET. SEE DETAIL DRAWING M-3.
- 6 NEW DECK DRAIN/POOL INLET LINES (2) AND POOL QUICK FILL LINE (SEE DWG M-3).
- 7 NEW 8" SLEEVE FOR FUTURE WATER SLIDE WATER SUPPLY, NEW 4" SLEEVE FOR FUTURE WATER FEATURE WATER SUPPLY. PIPING TO BE AS INDICATED. CAP PIPING AT INVERT OF APRON. MAKE WEATHERTIGHT.



SITE PLAN - RENOVATION

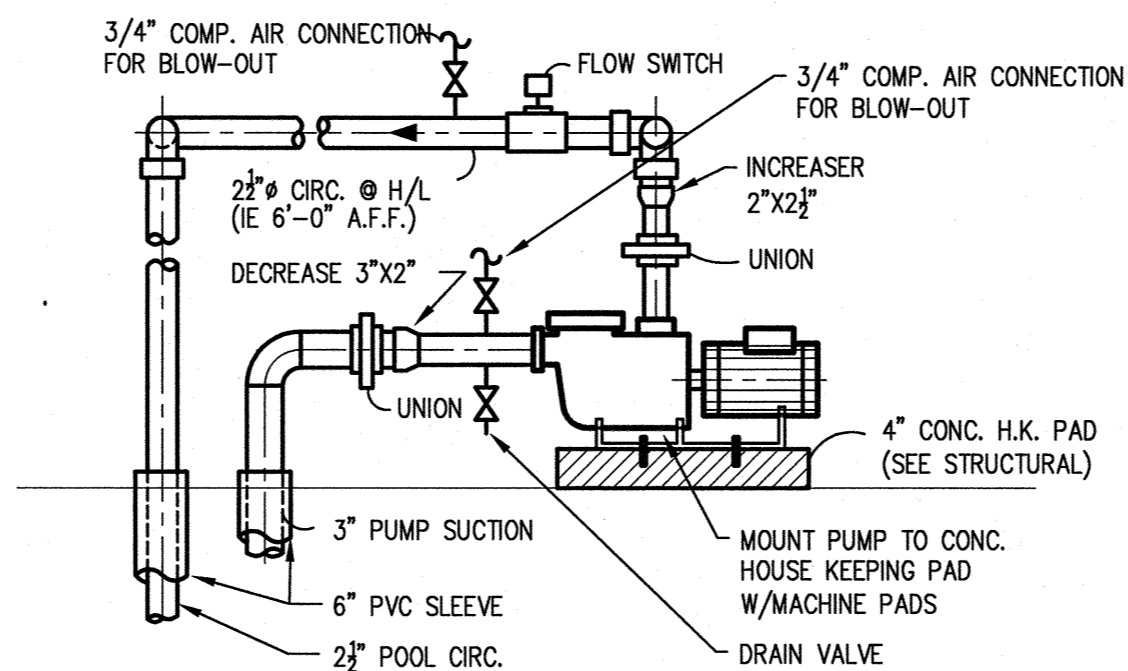
SCALE: 3/32"=1'-0"

* REFER TO ARCH DWG A-1 AND A-2 FOR ELEVATIONS



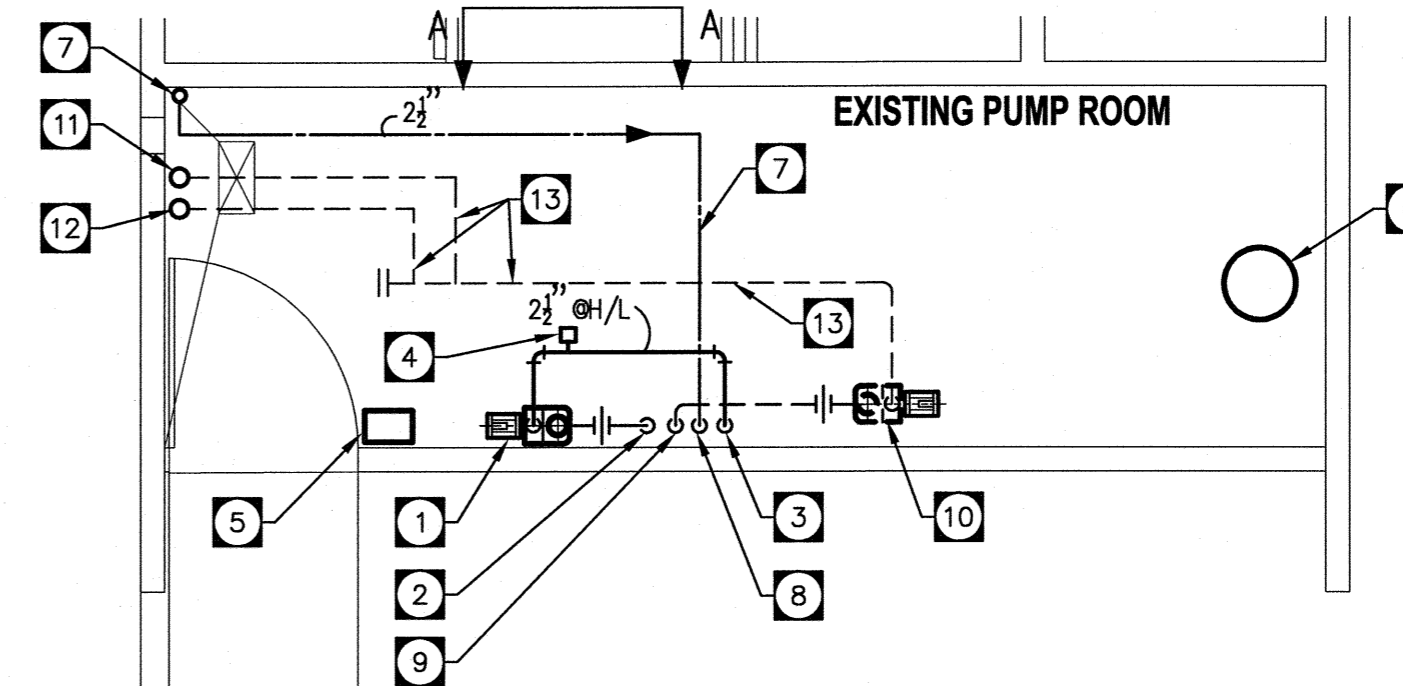
PUMP ROOM - EXISTING PIPING - NORTH WALL

N.T.S.



SECTION A-A

N.T.S.



PUMP ROOM PLAN

SCALE: 3/16"=1'-0"

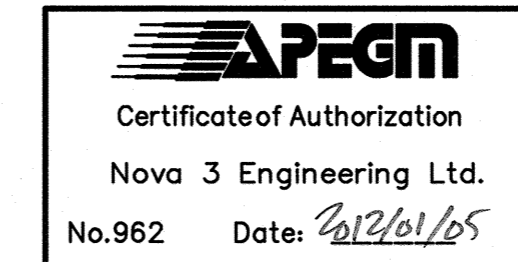
DRAWING NOTES

- 1 NEW WADING POOL CIRCULATING PUMP P-1 ON CONCRETE HOUSE KEEPING PAD.
- 2 NEW 3" PUMP SUCTION LINE.
- 3 NEW 2 1/2" PUMP DISCHARGE (SUPPLY) LINE.
- 4 NEW PRESSURE SWITCH. REFER TO DRAWING M4-RO.
- 5 NEW MOTOR STARTER. REFER TO DRAWING M4-RO.
- 6 LOCATE EXISTING CHLORINATOR HERE AND CONNECT TO NEW 2" DISCHARGE (SUPPLY) LINE.
- 7 EXTEND NEW 1 1/2" DOM. COLD WATER LINE FROM EXISTING AT HIGH LEVEL FOR QUICK FILL.
- 8 1 1/2" DOM. COLD WATER FILL TO POOL.
- 9 4" PVC SLEEVE TO 4" ABOVE FLOOR FOR FUTURE WATER FEATURE PUMP SUCTION. CAP PIPING FOR FUTURE USE.
- 10 LOCATION OF FUTURE WATER FEATURE PUMP P-2.
- 11 3" PVC SLEEVE AT 4" ABOVE FLOOR FOR FUTURE WATER SLIDE SUPPLY.
- 12 4" PVC SLEEVE TO 4" ABOVE FLOOR FOR FUTURE WATER FEATURE SUPPLY LINE.
- 13 FUTURE PIPING.

No.	Description	Date (m/d/y)	Drawn	Checked
1	ISSUED FOR TENDER	01/05/12	AB	JHG

Designed By	Drawn By	Checked By	Approved By
DMW	AB	JHG	JHG

THE CONTRACTOR IS TO VERIFY DIMENSIONS AND DATA NOTED ON THE STRUCTURAL DRAWINGS WITH CONDITIONS ON THE SITE. CO-ORDINATE ALL DIMENSIONS WITH THE ARCHITECTURAL DRAWINGS, AND IS HELD RESPONSIBLE FOR REPORTING ANY DISCREPANCIES TO THE ENGINEER BEFORE PROCEEDING WITH THE WORK. VARIATIONS AND MODIFICATIONS TO WORK SHOWN ON THE STRUCTURAL DRAWINGS SHALL NOT BE CARRIED OUT WITHOUT WRITTEN PERMISSION FROM THE ENGINEER. THIS DRAWING IS NOT TO BE SCALED.



Lavergne Draward & Associates Inc.
 402-138 Portage Avenue East
 Winnipeg, Manitoba
 R3C 0A1
 Tel: 204 947-2222
 Fax: 204 947-2522
 E-mail: general@ldaseng.ca
 Web: www.ldaseng.ca

Client: **CITY OF WINNIPEG**
 Project Title: **KING EDWARD PARK WADING POOL REPLACEMENT**
 709, MANHATTAN AVE. WINNIPEG, MB.
 Bid Opportunity Number: 1010-2011

NOVA 3 ENGINEERING LTD.
 CONSULTING ENGINEERS
 201-120 FORT STREET WINNIPEG, MANITOBA R3C 1C7
 TEL: (204) 943-6142
 FAX: (204) 942-1276
 JN: 31-219

NEW WADING POOL PLAN-POOL PIPING

Scale: **AS NOTED** Date: **JAN. 05, 2012**
 Sheet Number: **31-219** / **M2 - RO**

THIS DRAWING IS THE EXCLUSIVE PROPERTY OF NOVA 3 ENGINEERING LTD. AND MAY ONLY BE REPRODUCED WITH THE WRITTEN PERMISSION OF NOVA 3 ENGINEERING LTD. THE CONCEPT AND DESIGN INCORPORATED INTO THIS DRAWING ARE BASED ON INFORMATION PROVIDED BY THE CLIENT AND OTHER RELATED SOURCES. PROFESSIONAL ENGINEER ACCEPTS NO RESPONSIBILITY FOR DRAWING AND DESIGN UNLESS DRAWING IS ACCOMPANIED BY ORIGINAL SEALED AND SIGNED LETTER OF INTENT AND CERTIFICATE OF INSPECTION. REFER TO WWW.NOVA3.CA FOR CAUTIONARY NOTES.