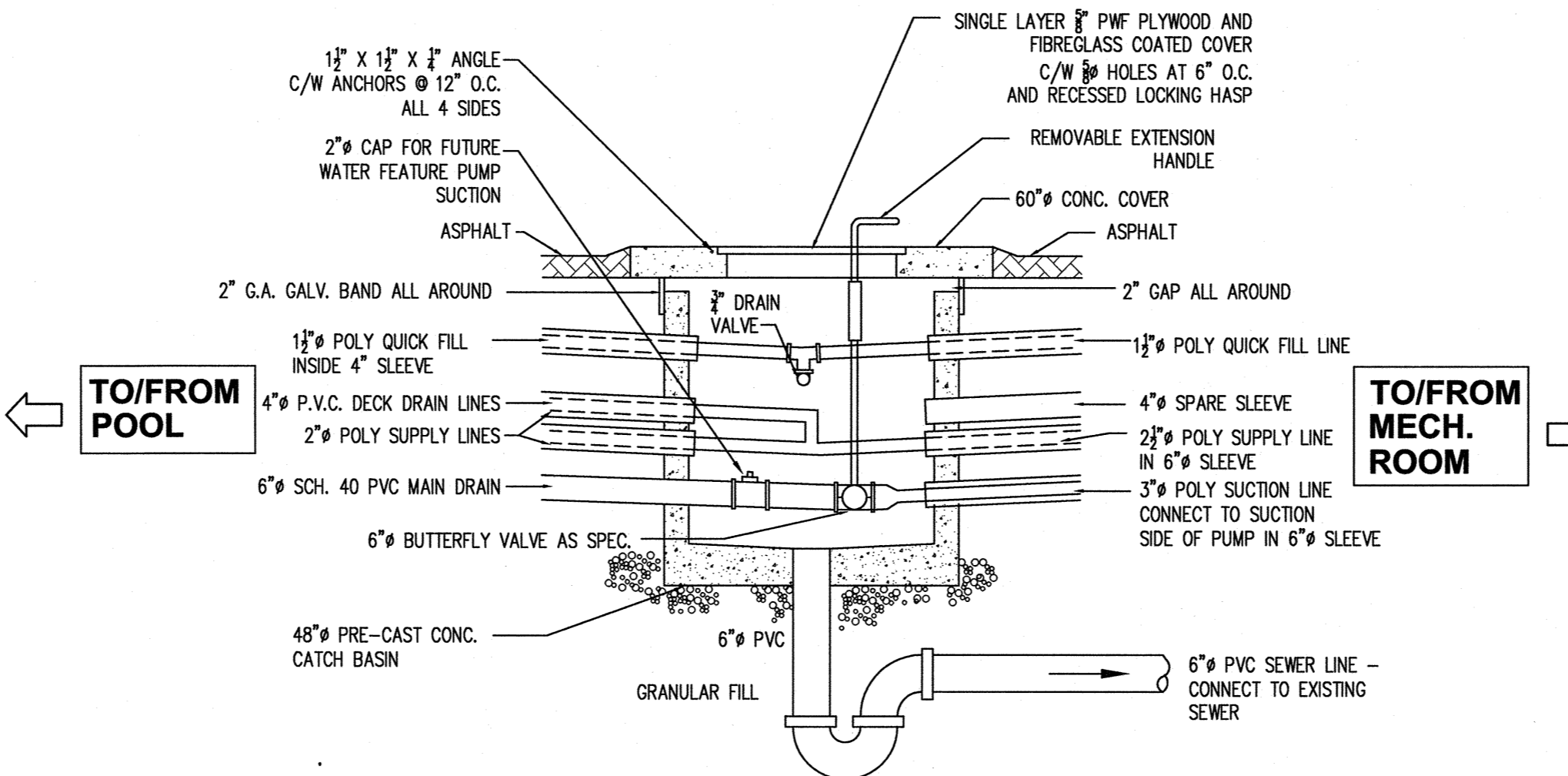
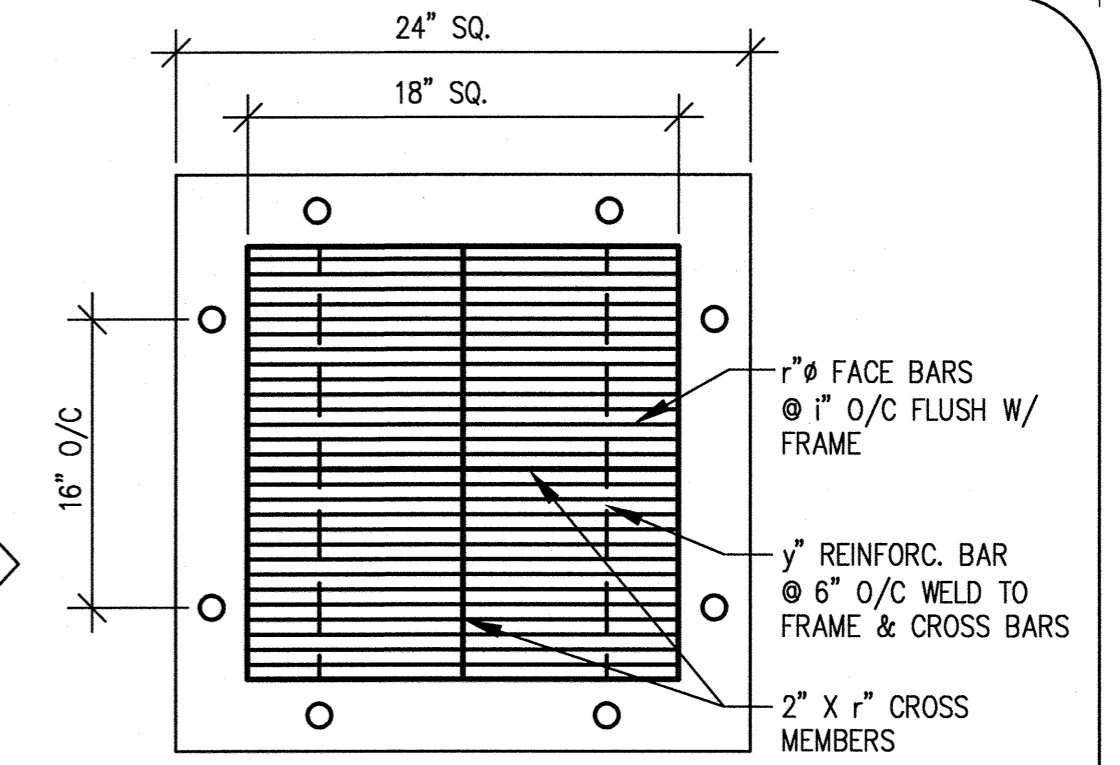


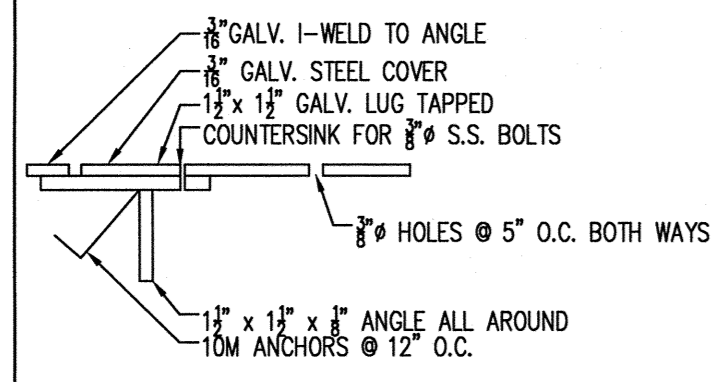
PLAN OF SERVICE MANHOLE/MAIN DRAIN PIT
SCALE: 1/2"=1'-0"



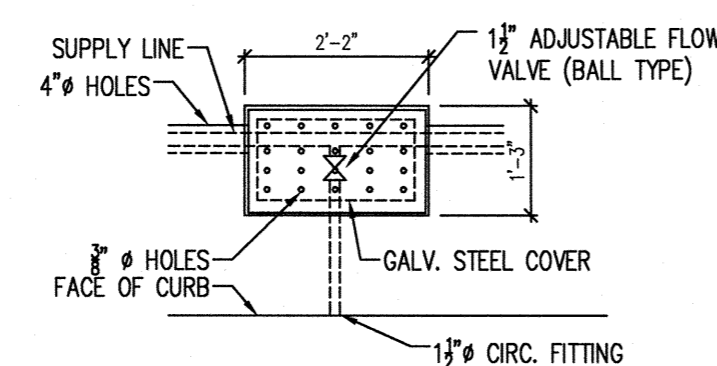
SERVICE MANHOLE SECTION
N.T.S.



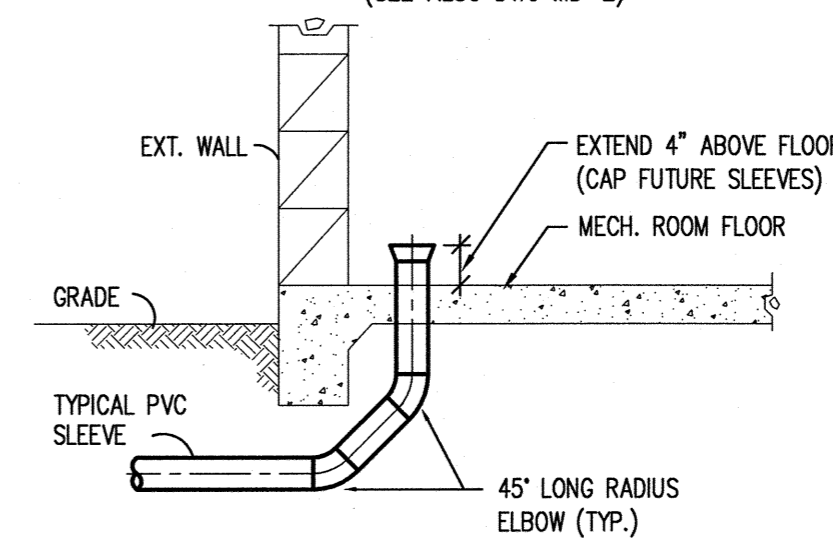
FLOOR DRAIN GRATE DETAIL (CUSTOM)
SCALE: 1 1/2" = 1'-0"
(TO BE CUSTOM MANUFACTURED OF TYPE 304 S.S.)
(SEE ALSO DWG MD-2)



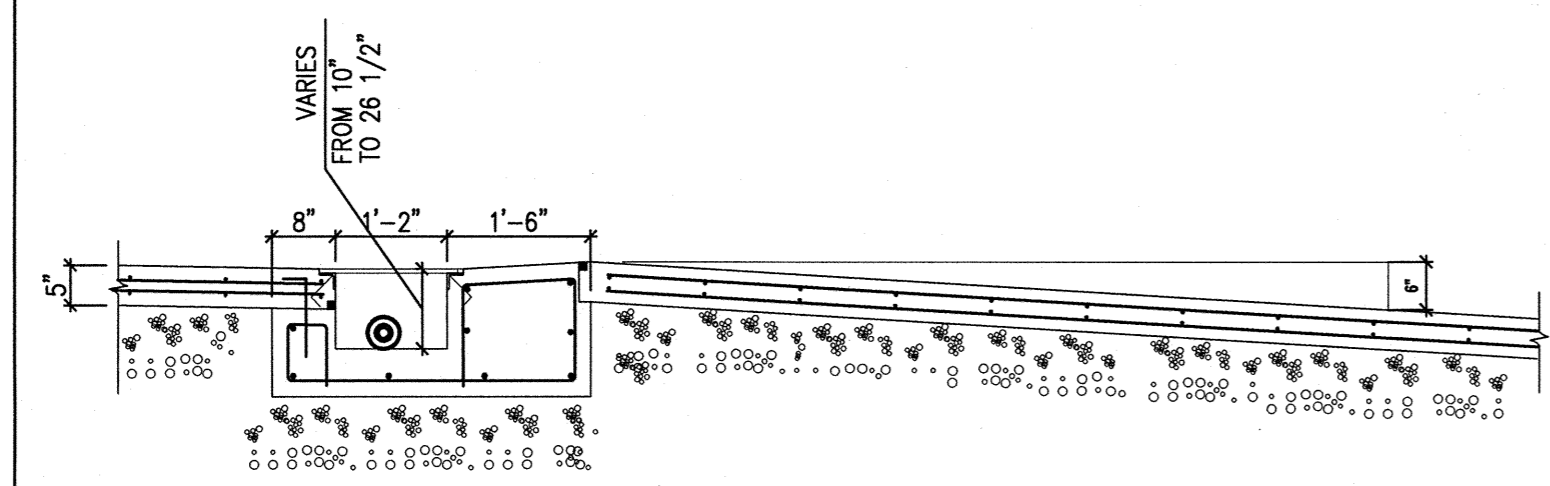
DRAIN COVER DETAIL
SCALE: 1/2"=1'-0"
REFER TO DRAWING A-2



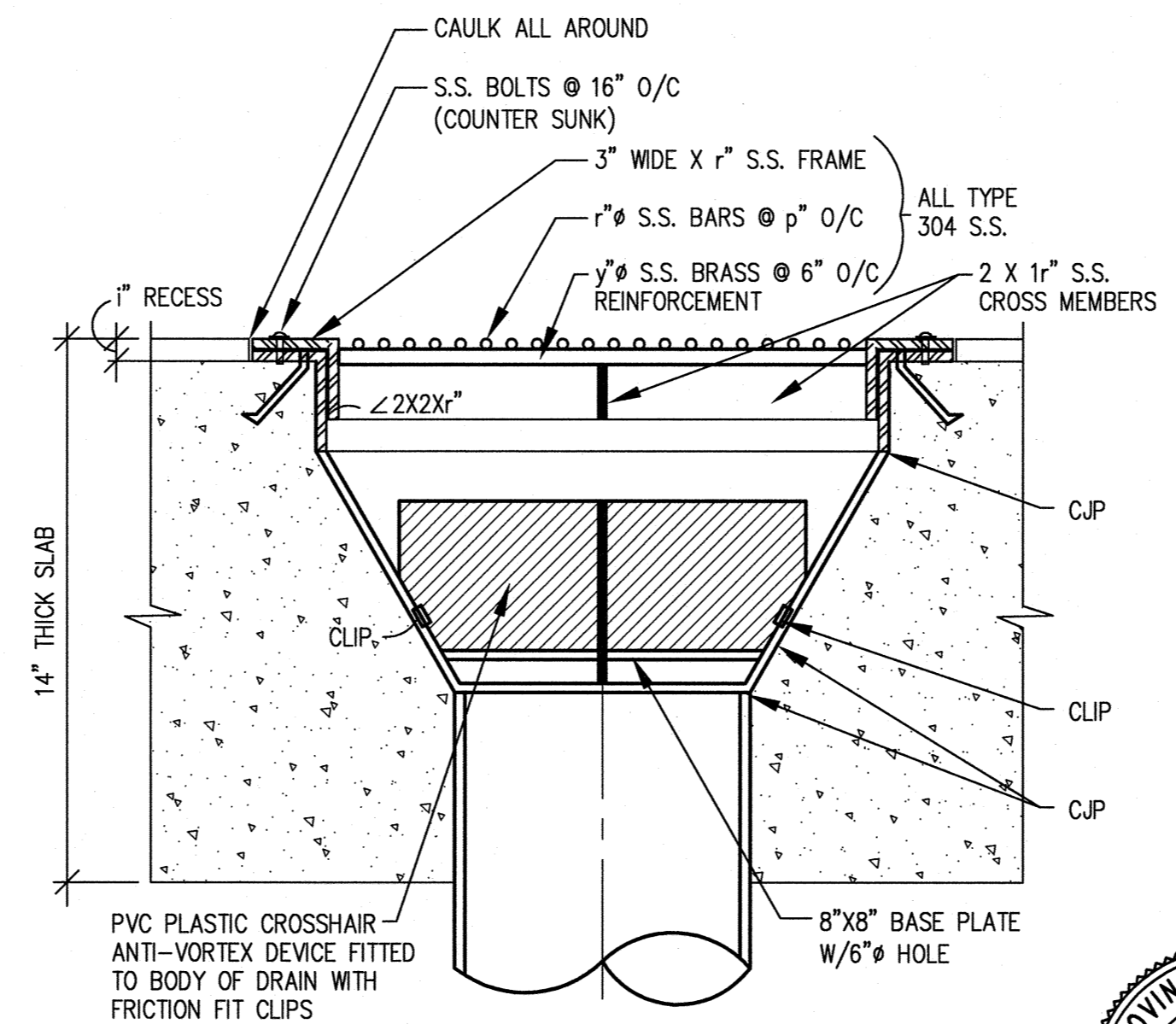
DRAIN COVER PLAN
SCALE: 1/2"=1'-0"
REFER TO DRAWING A-2



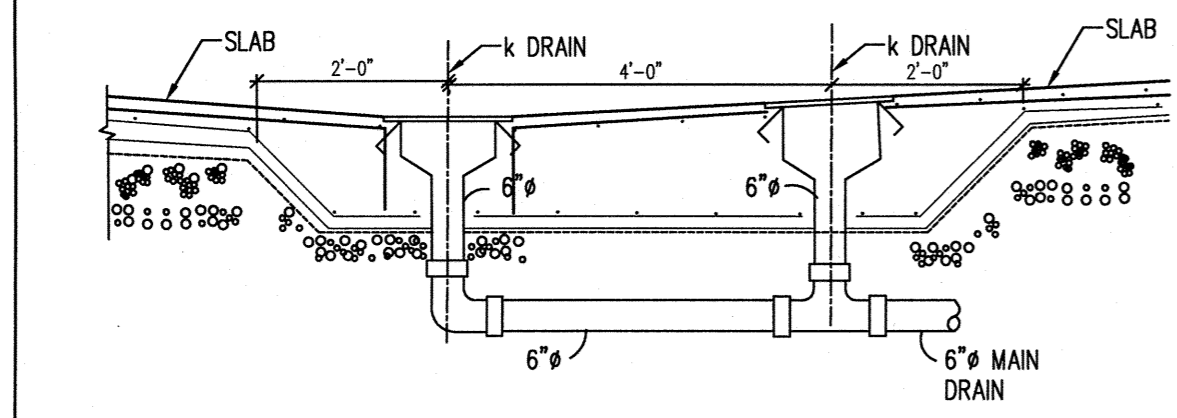
TYPICAL PIPING SLEEVE DETAIL IN BUILDING
N.T.S.
NOTE: ALL PIPE SLEEVES (INCLUDING PIPING AT POOL PERIMETER) TO HAVE LONG RADIUS ELBOWS (2 @ 45° FOR 90° BENDS)



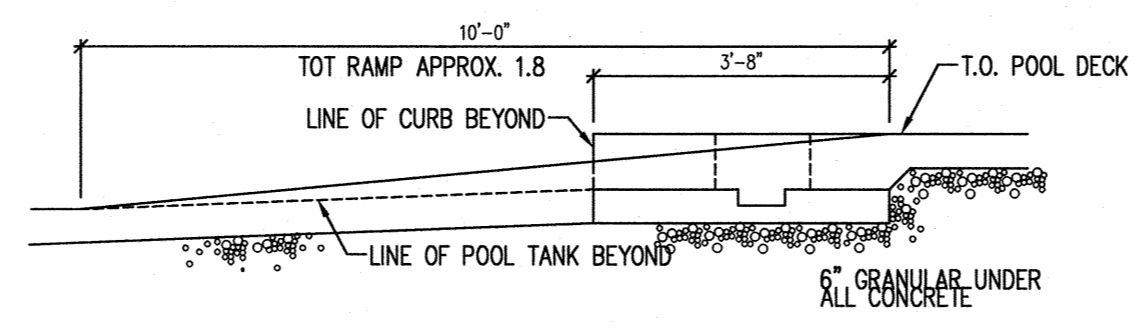
DRAINAGE BOX SECTION
SCALE: 1/2"=1'-0"
REFER TO DRAWING A-2



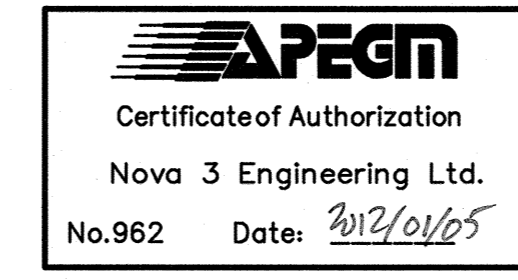
FLOOR DRAIN GRATE DETAIL
SCALE: 3" = 1'-0"



WADING POOL MAIN DRAIN SECTION
SCALE: 1/2"=1'-0"
REFER TO DRAWING A-2



SECTION - ZERO ENTRY RAMP
SCALE: 1/2"=1'-0"
REFER TO DRAWING A-2



NOVA 3 ENGINEERING LTD.
CONSULTING ENGINEERS
201-120 FORT STREET TEL: (204) 943-6142
WINNIPEG, MANITOBA FAX: (204) 942-1276
R3C 1C7 JN: 31-219
THIS DRAWING IS THE EXCLUSIVE PROPERTY OF NOVA 3 ENGINEERING LTD. AND MAY ONLY BE REPRODUCED WITH THE WRITTEN PERMISSION OF NOVA 3 ENGINEERING LTD.
THE CONCEPT AND DESIGN INCORPORATED INTO THIS DRAWING ARE BASED ON INFORMATION PROVIDED BY THE CLIENT AND OTHER RELATED SOURCES. PROFESSIONAL ENGINEER ACCEPTS NO RESPONSIBILITY FOR DRAWING AND DESIGN UNLESS DRAWING IS ACCOMPANIED BY ORIGINAL SEALED AND SIGNED LETTER OF INTENT AND CERTIFICATE OF INSPECTION. REFER TO WWW.NOVA3.CA FOR CAUTIONARY NOTES.

Laverne Draward & Associates Inc.
402-138 Portage Avenue East
Winnipeg, Manitoba
R3C 0A1
Tel 204 947-2222
Fax 204 947-2522
E mail general@ldaeng.ca
Web www.ldaeng.ca

Client: **CITY OF WINNIPEG**
Project Title: **KING EDWARD PARK WADING POOL REPLACEMENT**
709, MANHATTAN AVE. WINNIPEG, MB.
Bid Opportunity Number: 1010-2011

Sheet Title: **MECHANICAL DETAILS**
Scale: **AS NOTED** Date: **JAN. 05, 2012**
File Number: **31-219** Sheet Number: **M3-RO**