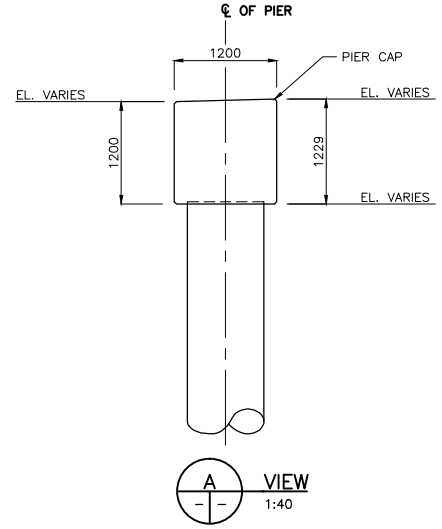
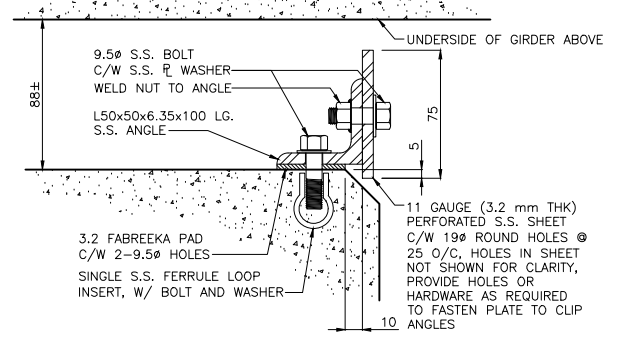


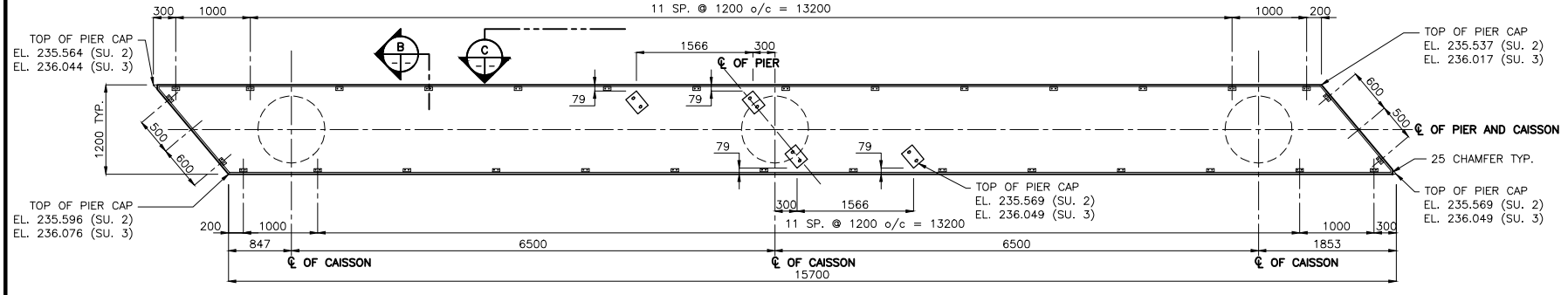
PIER ELEVATION (LOOKING SOUTH)  
1:40



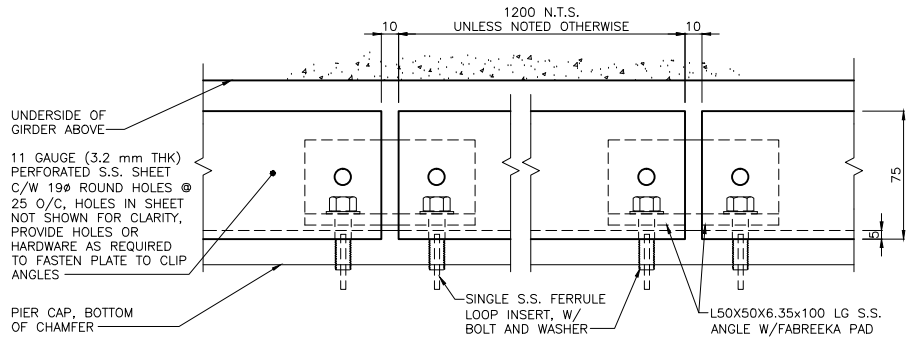
VIEW A  
1:40



SECTION B  
1:2

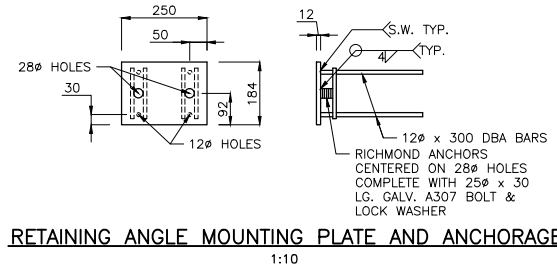


PIER PLAN  
1:40



VIEW C  
1:2

NOTE:  
1. SEE SHEETS 12 AND 14 FOR BORE HOLE INFORMATION  
2. SEE SHEETS 12 AND 13 FOR CAISSON LAYOUT AND CUT-OFF INFORMATION



RETAINING ANGLE MOUNTING PLATE AND ANCHORAGE  
1:10

**APEGM**  
Certificate of Authorization  
Stantec Consulting Ltd.  
No. 1301 Date: \_\_\_\_\_

**METRIC**  
WHOLE NUMBERS INDICATE MILLIMETRES  
DECIMALIZED NUMBERS INDICATE METRES

LOCATION APPROVED UNDERGROUND STRUCTURES

SUPV. U/G STRUCTURES COMMITTEE	DATE

NOTE:  
LOCATION OF UNDERGROUND STRUCTURES AS SHOWN ARE BASED ON THE BEST INFORMATION AVAILABLE BUT NO GUARANTEE IS GIVEN THAT ALL EXISTING UTILITIES ARE SHOWN OR THAT THE GIVEN LOCATIONS ARE EXACT. CONFIRMATION OF EXISTENCE AND EXACT LOCATION OF ALL SERVICES MUST BE OBTAINED FROM THE INDIVIDUAL UTILITIES BEFORE PROCEEDING WITH CONSTRUCTION.

B.M. ELEV.	NO.	REVISIONS	DATE	BY

**Stantec Consulting Ltd.**  
100-1355 Taylor Ave., Winnipeg, Manitoba  
Tel 204-928-8840 Fax 204-284-4795

DESIGNED BY <b>K.S.A.</b>	CHECKED BY <b>K.S.A.</b>
DRAWN BY <b>J.M.B.</b>	APPROVED BY <b>B.J.W.</b>

HOR. SCALE: 1:10  
VERTICAL: U.N.O.

RELEASED FOR CONSTRUCTION: \_\_\_\_\_  
DATE: DEC. 15, 2011

ENGINEER'S SEAL  
CONSULTANT DRAWING NO.  
**S-301**

**THE CITY OF WINNIPEG**  
PUBLIC WORKS DEPARTMENT  
ENGINEERING DIVISION

**STURGEON ROAD**  
BRIDGE REPLACEMENT  
PORTAGE AVENUE TO HALLONQUIST DRIVE  
CONCRETE DETAILS  
SOUTHBOUND PIERS SU.2 & SU.3

SHEET OF <b>26</b> OF <b>82</b>
CAD FILE DRAWING NUMBER <b>31590s-301-767.dwg</b>
CITY DRAWING NUMBER <b>B120-12-026</b>

V:\137\active\11371590\working\403\_addenda\sheet\_files\bridge\1590s-301-767.dwg  
Date: 2012 Jun 19 12:44pm LogIn: Stpo, Stephanie