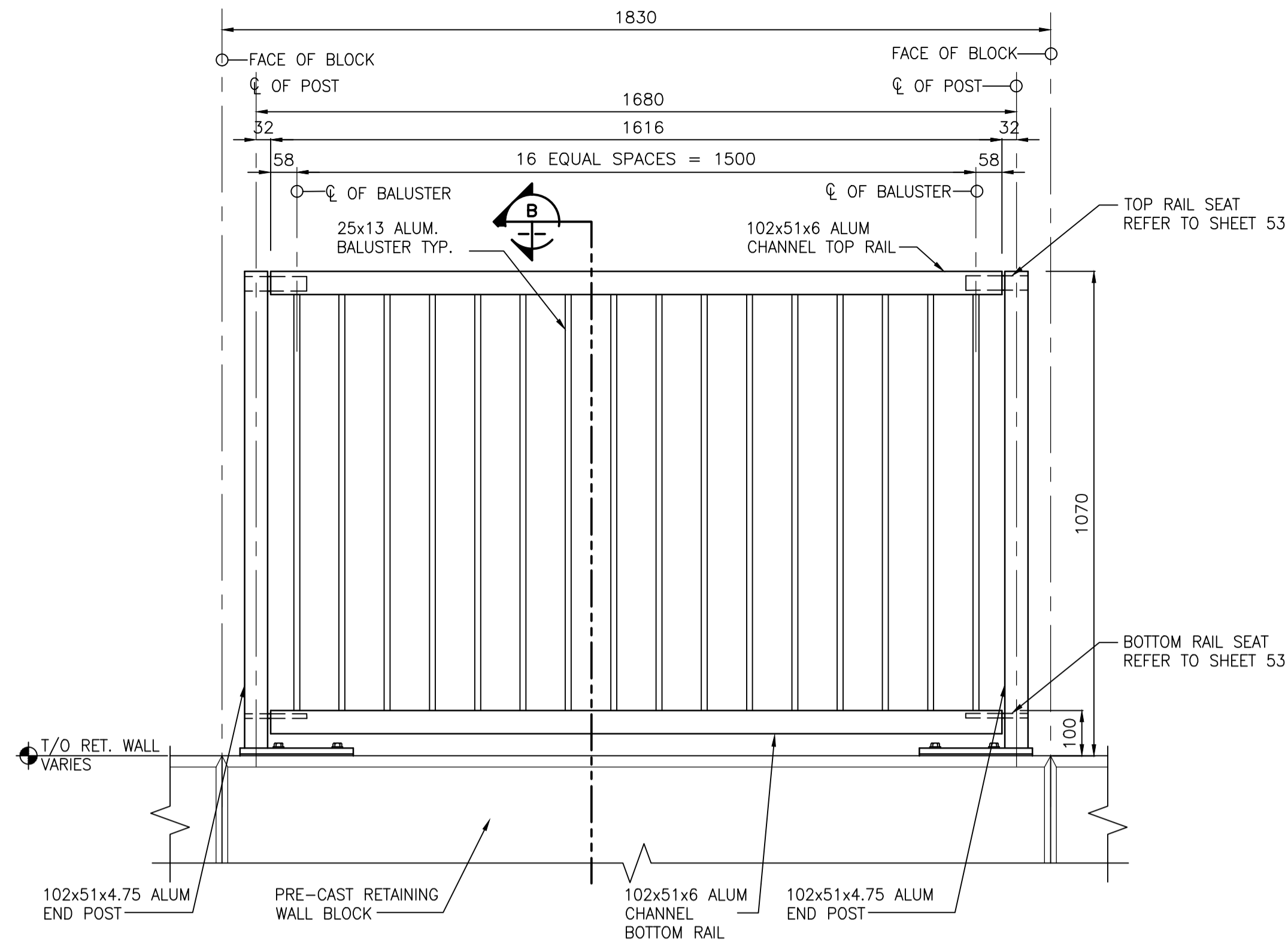
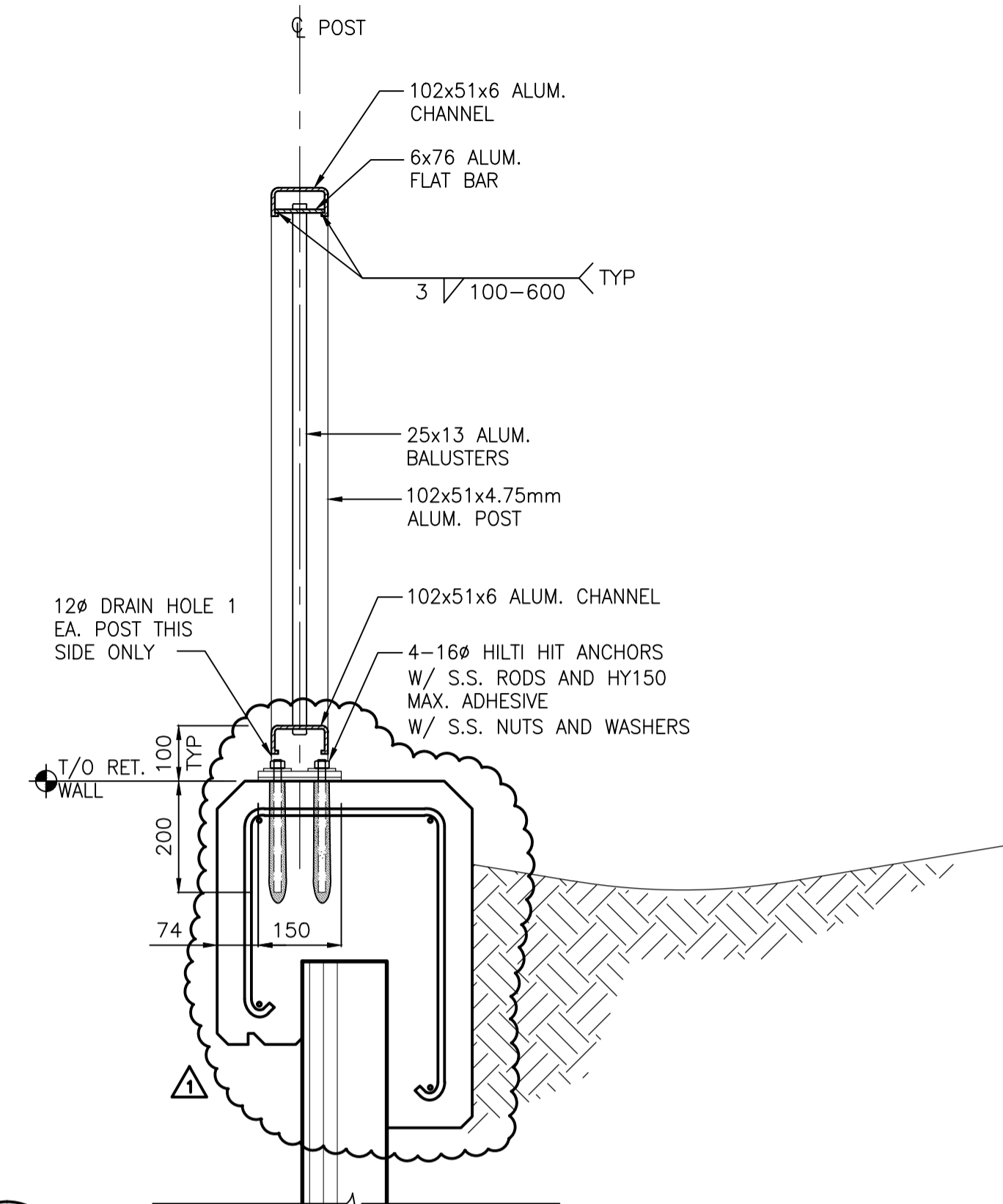


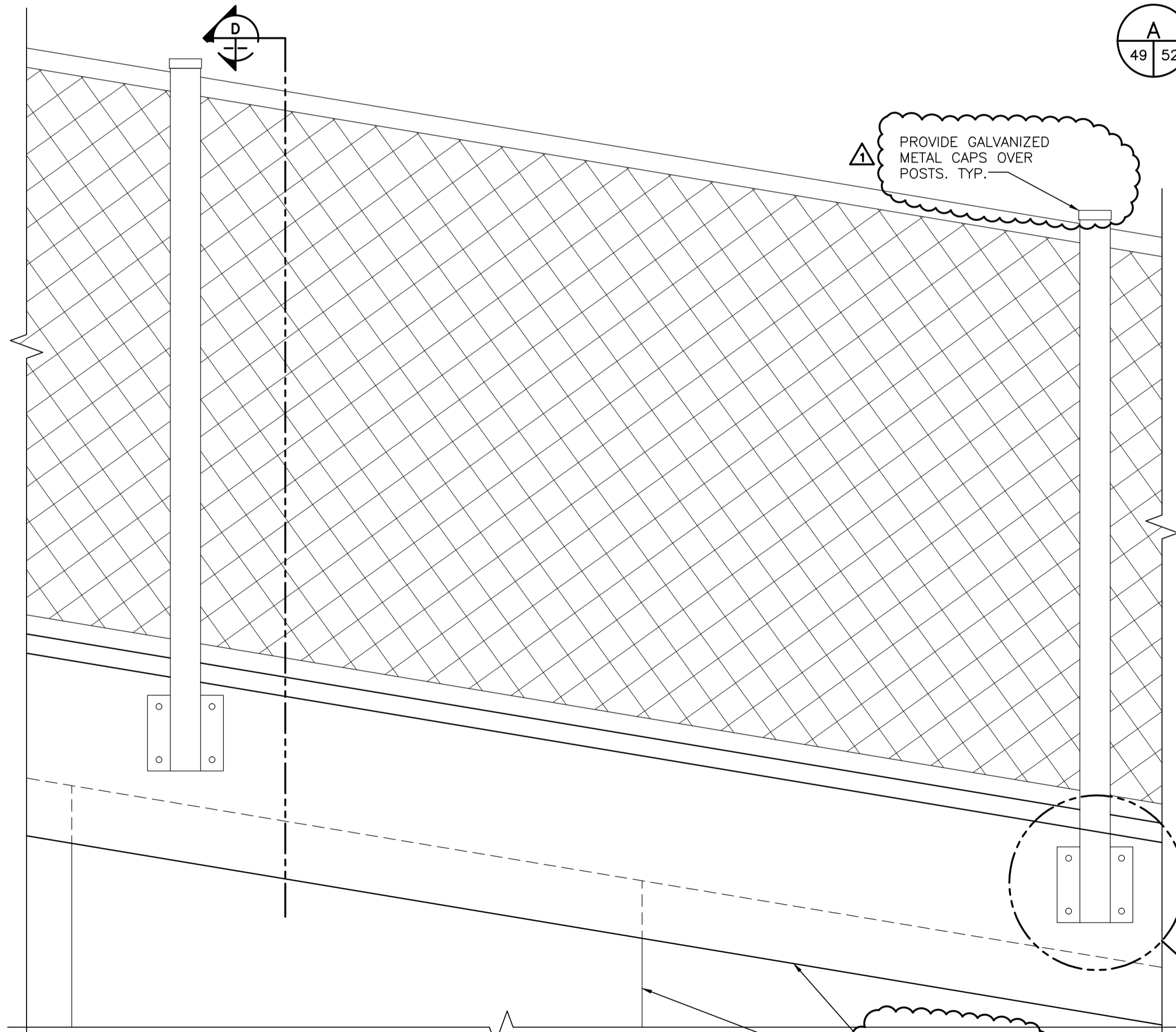
RAILING DETAIL @ RETAINING WALL COPING
1:20



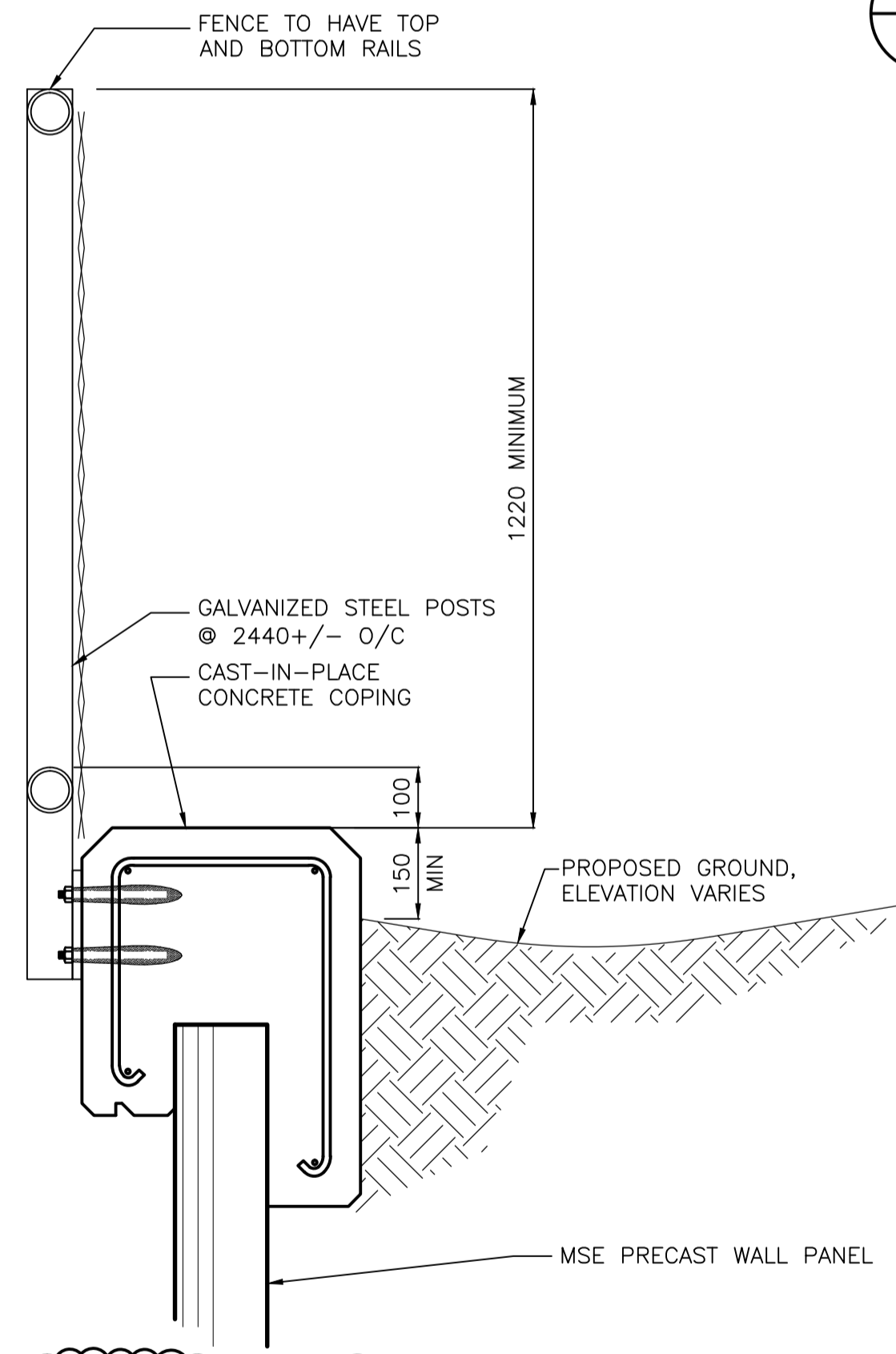
RETAINING WALL RAILING ELEVATION - PANEL 'H'
1:10



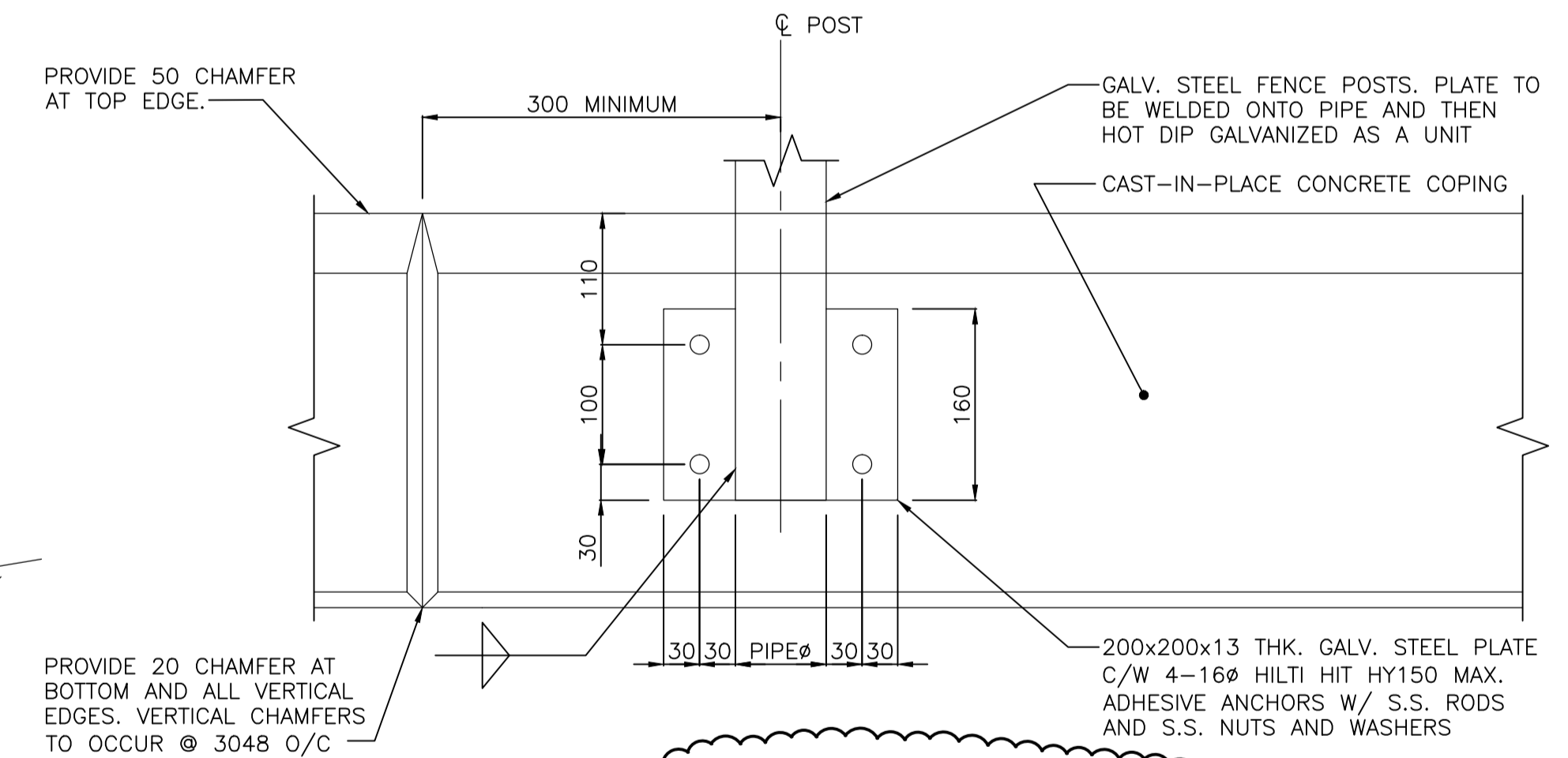
TYPICAL ALUMINUM RAILING SECTION
1:10



RETAINING WALL RAILING ELEVATION - PANEL 'H'
1:10



RETAINING WALL FENCING ANCHOR DETAIL
1:10



RETAINING WALL TYPICAL FENCING ANCHOR DETAIL
1:10

LOCATION APPROVED UNDERGROUND STRUCTURES

SUPV. U/G STRUCTURES COMMITTEE	DATE

NOTE:
LOCATION OF UNDERGROUND STRUCTURES AS SHOWN ARE BASED ON THE BEST INFORMATION AVAILABLE BUT NO GUARANTEE IS GIVEN THAT ALL EXISTING UTILITIES ARE SHOWN OR THAT THE GIVEN LOCATIONS ARE EXACT. CONFIRMATION OF EXISTENCE AND EXACT LOCATION OF ALL SERVICES MUST BE OBTAINED FROM THE INDIVIDUAL UTILITIES BEFORE PROCEEDING WITH CONSTRUCTION.

B.M. ELEV.			

Stantec Consulting Ltd.
100-1355 Taylor Ave., Winnipeg, Manitoba
Tel 204-928-8840 Fax 204-284-4795

DESIGNED BY	K.S.A.	CHECKED BY	K.S.A.
DRAWN BY	V.J.F.	APPROVED BY	B.J.W.
HOR. SCALE:	AS SHOWN	RELEASED FOR CONSTRUCTION:	
VERTICAL:		DATE	DEC. 15, 2011

ENGINEER'S SEAL

CONSULTANT DRAWING NO. S-705

APEGM
Certificate of Authorization
Stantec Consulting Ltd.
No. 1301 Date: _____

METRIC
WHOLE NUMBERS INDICATE MILLIMETRES
DECIMALIZED NUMBERS INDICATE METRES

THE CITY OF WINNIPEG
PUBLIC WORKS DEPARTMENT
ENGINEERING DIVISION

STURGEON ROAD
BRIDGE REPLACEMENT
PORTAGE AVENUE TO HALLONQUIST DRIVE
RAILING AT RETAINING WALL
BRIDGE RAILING PANELS

SHEET	OF
52	82
CAD FILE DRAWING NUMBER	31590s-703-767.dwg
CITY DRAWING NUMBER	B120-12-052

V:\1137\active\1137\1590\drawing\403_oddedo\sheet_files\bridge\31590s-703-767.dwg
Date: 2012 Jan 16 5:36pm Login: Breemerts, James