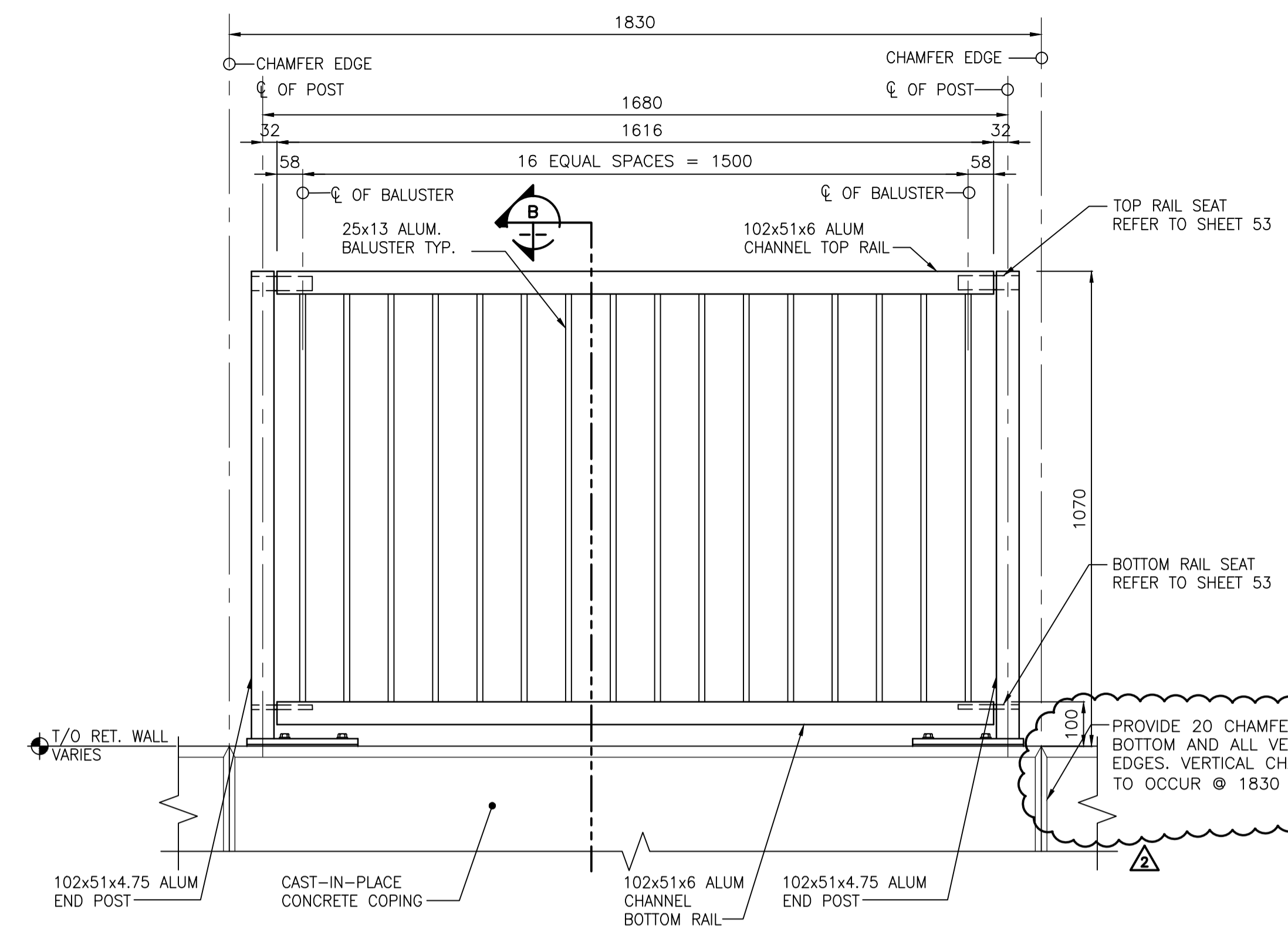
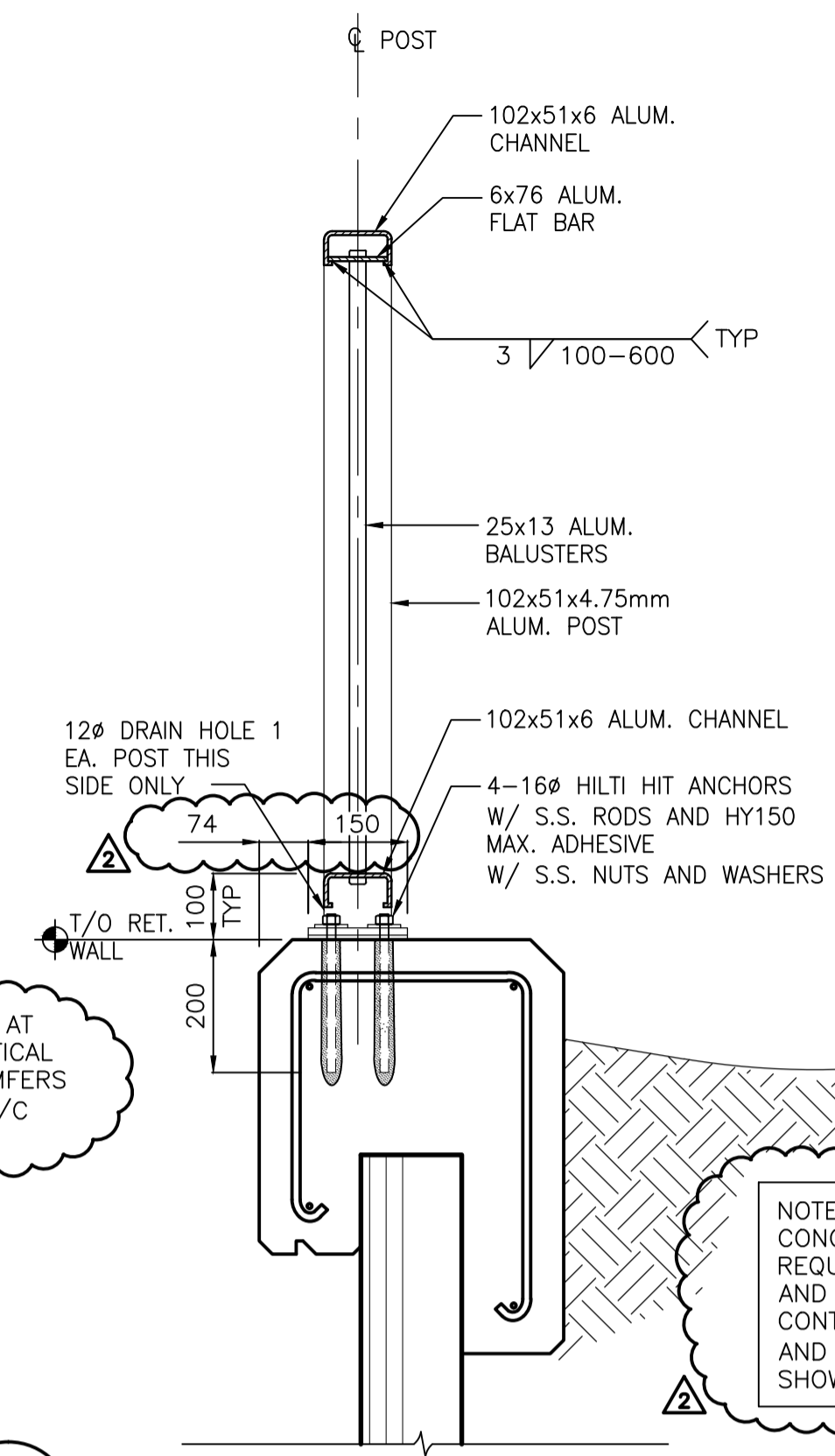


RAILING DETAIL @ RETAINING WALL B COPING
1:20

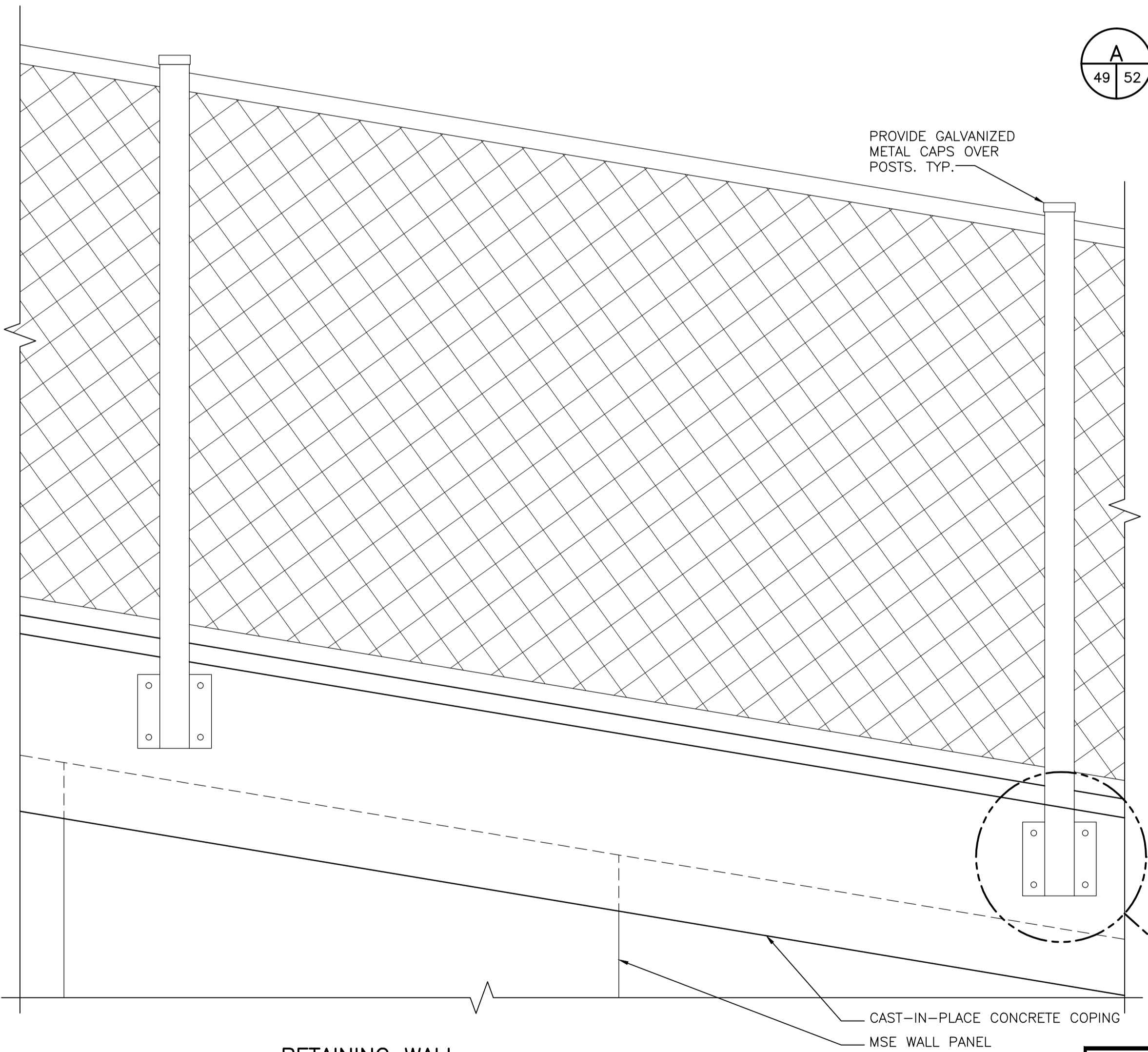


RETAINING WALL RAILING ELEVATION - PANEL 'H'
1:10

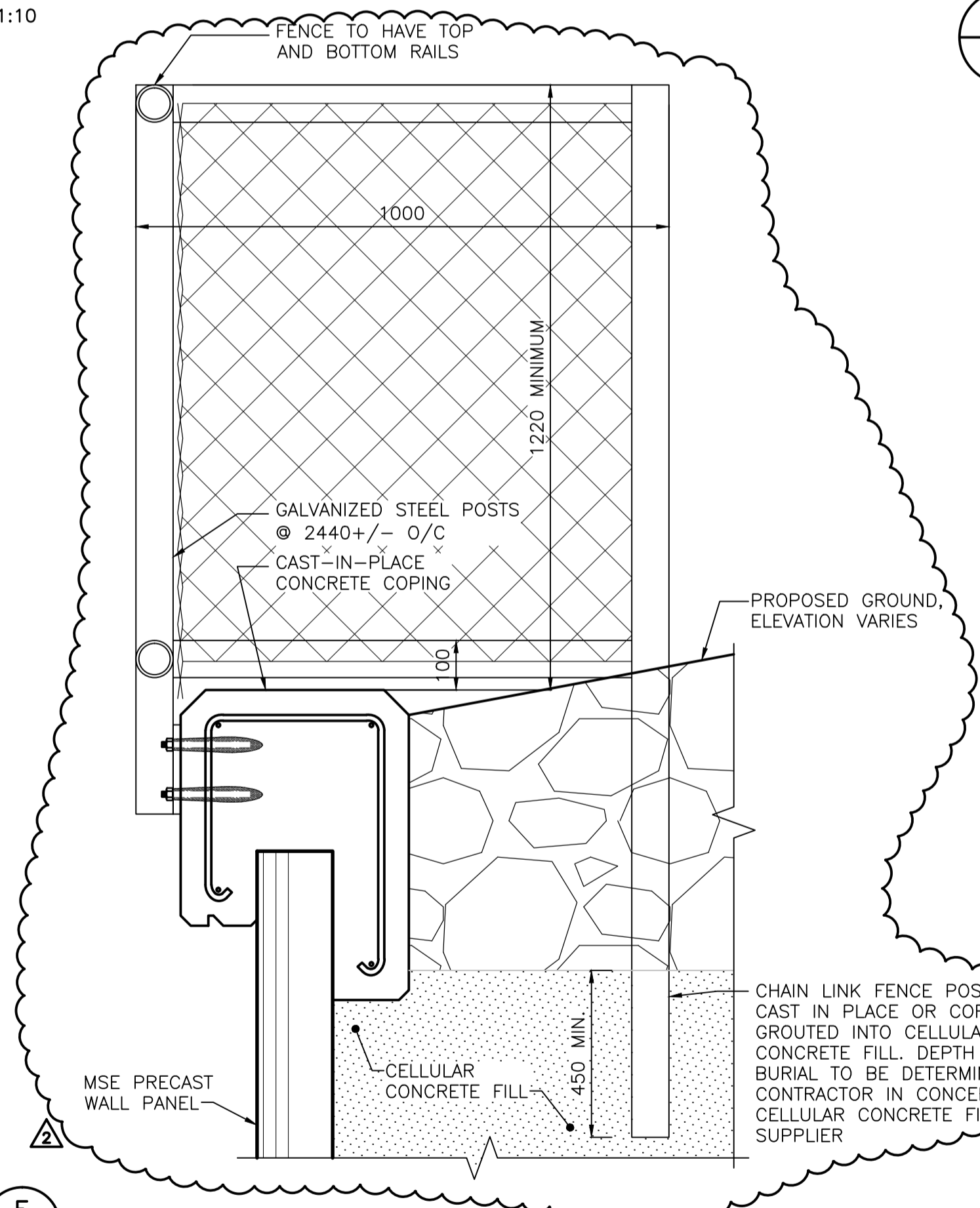


TYPICAL ALUMINUM RAILING SECTION
1:10

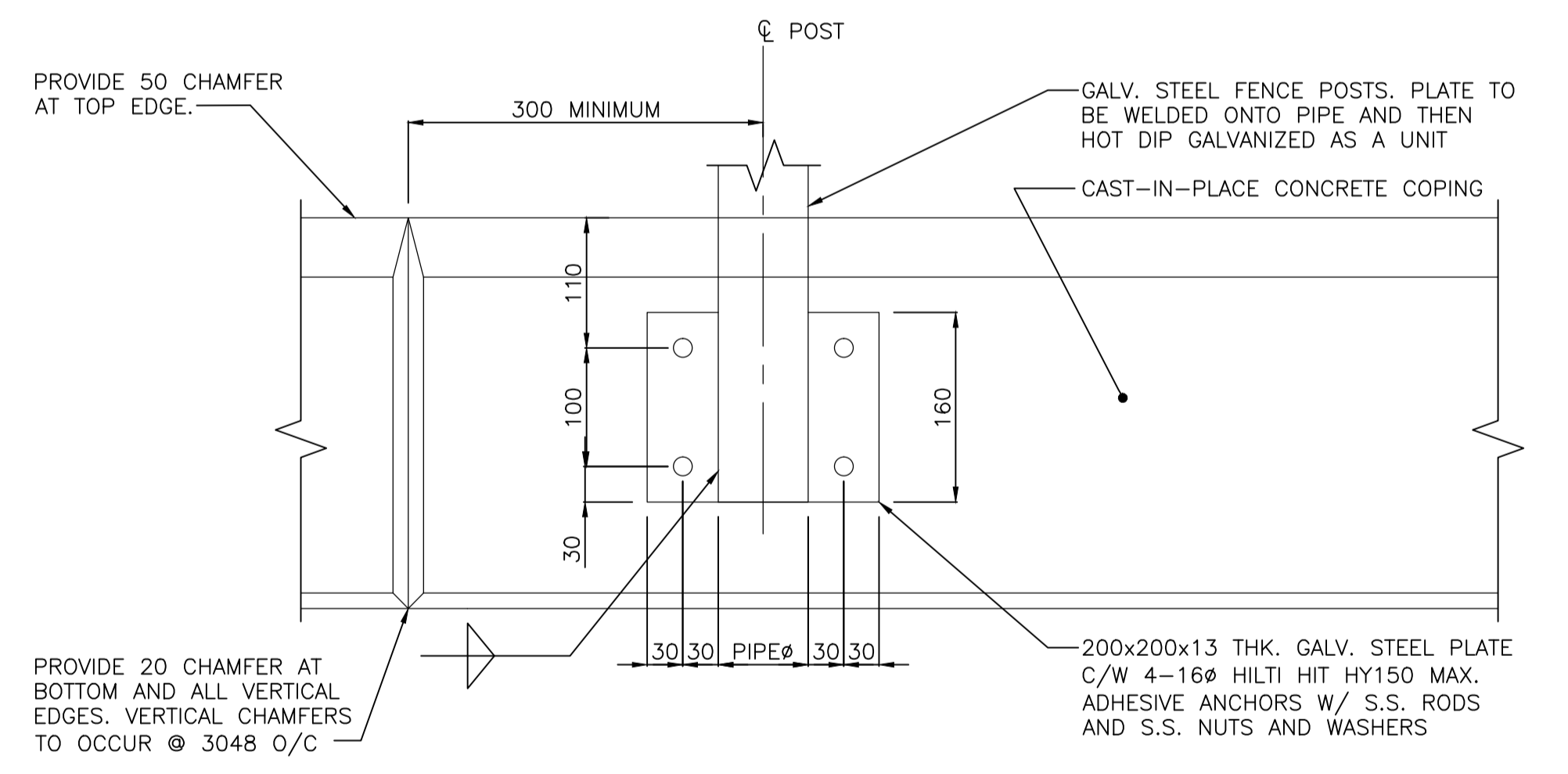
NOTE: MSE RETAINING WALL AND CONCRETE COPING DETAILS AND REQUIREMENTS TO BE CONFIRMED AND DETERMINED BY THE CONTRACTOR. PLAN GEOMETRY AND T/O WALL ELEV. TO BE AS SHOWN IN THE DRAWING



RETAINING WALL RAILING ELEVATION - PANEL 'H'
1:10



FENCING ANCHOR DETAIL
1:10



RETAINING WALL TYPICAL FENCING ANCHOR DETAIL
1:5

APEGM
Certificate of Authorization
Stantec Consulting Ltd.
No. 1301 Date: _____

METRIC
WHOLE NUMBERS INDICATE MILLIMETRES
DECIMALIZED NUMBERS INDICATE METRES

LOCATION APPROVED UNDERGROUND STRUCTURES

SUPV. U/G STRUCTURES COMMITTEE	DATE

NOTE:
LOCATION OF UNDERGROUND STRUCTURES AS SHOWN ARE BASED ON THE BEST INFORMATION AVAILABLE BUT NO GUARANTEE IS GIVEN THAT ALL EXISTING UTILITIES ARE SHOWN OR THAT THE GIVEN LOCATIONS ARE EXACT. CONFIRMATION OF EXISTENCE AND EXACT LOCATION OF ALL SERVICES MUST BE OBTAINED FROM THE INDIVIDUAL UTILITIES BEFORE PROCEEDING WITH CONSTRUCTION.

NO.	REVISIONS	DATE	BY
2	REVISED PER ADDENDUM No.2	12.01.31	K.S.A.
1	REVISED PER ADDENDUM No.1	12.01.18	K.S.A.
0	ISSUED FOR TENDER	11.12.15	K.S.A.

Stantec Consulting Ltd.
100-1355 Taylor Ave., Winnipeg, Manitoba
Tel 204-928-8840 Fax 204-284-4795

DESIGNED BY	CHECKED BY
K.S.A.	K.S.A.
DRAWN BY	APPROVED BY
V.J.F.	B.J.W.

HOR. SCALE: AS SHOWN
VERTICAL: _____

RELEASED FOR CONSTRUCTION: _____
DATE: DEC. 15, 2011

ENGINEER'S SEAL

CONSULTANT DRAWING NO. S-705

THE CITY OF WINNIPEG
PUBLIC WORKS DEPARTMENT
ENGINEERING DIVISION

STURGEON ROAD
BRIDGE REPLACEMENT
PORTAGE AVENUE TO HALLONQUIST DRIVE
RAILING AT RETAINING WALL
BRIDGE RAILING PANELS

SHEET 52 OF 82
CAD FILE DRAWING NUMBER 31590s-703-767.dwg
CITY DRAWING NUMBER B120-12-052

V:\1137\active\11371590\drawing\403_oddedo\sheet_files\bridge\31590s-703-767.dwg
Date: 2012 Jan 30 4:21 pm Login: Friesen, Vince