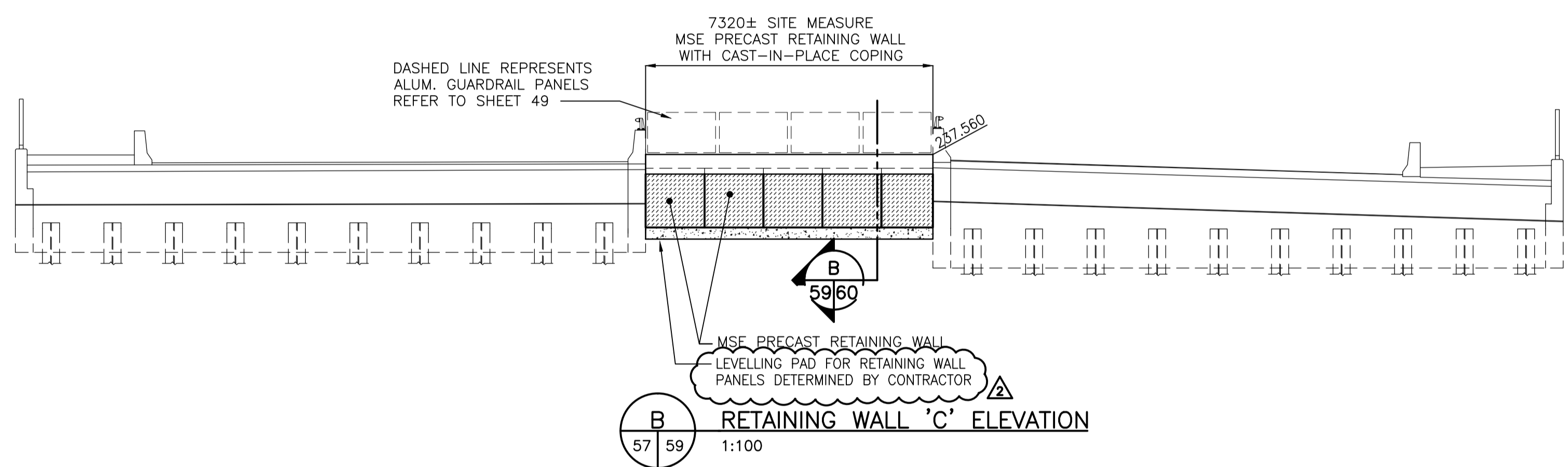


NOTE: ELEVATIONS REPRESENTS VIEW ALONG THE CURVED GEOMETRY OF THE RETAINING WALL.

A RETAINING WALL 'B' ELEVATION
57 | 59 1:20

NOTE: CONTRACTOR TO PROVIDE DRAWINGS AND DESIGN NOTES FOR MODULAR BLOCK RETAINING WALL, GRANULAR FOOTINGS, WALL BACKFILL, GEOGRID ANCHORAGE AND DRAINAGE. CONTRACTOR TO CONFIRM FOOTING AND FILL REQUIREMENTS WITH GEOTECHNICAL ENGINEER. PLAN GEOMETRY AND T/O WALL ELEVATION TO BE AS SHOWN IN THE DRAWING. RETAINING WALL DRAWINGS AND DESIGN NOTES TO BE SEALED BY A PROFESSIONAL ENGINEER REGISTERED IN THE PROVINCE OF MANITOBA



B RETAINING WALL 'C' ELEVATION
57 | 59 1:100

V:\1137\active\1137\1590\drawing\403_cddendo\sheet_files\bridge\31590s-801-767.dwg
Date: 2012 Jan 31 4:11 pm Login: Friesen, Vince

APEGM
Certificate of Authorization
Stantec Consulting Ltd.
No. 1301 Date: _____

METRIC
WHOLE NUMBERS INDICATE MILLIMETRES
DECIMALIZED NUMBERS INDICATE METRES

LOCATION APPROVED UNDERGROUND STRUCTURES

SUPV. U/G STRUCTURES COMMITTEE	DATE

NOTE:
LOCATION OF UNDERGROUND STRUCTURES AS SHOWN ARE BASED ON THE BEST INFORMATION AVAILABLE BUT NO GUARANTEE IS GIVEN THAT ALL EXISTING UTILITIES ARE SHOWN OR THAT THE GIVEN LOCATIONS ARE EXACT. CONFIRMATION OF EXISTENCE AND EXACT LOCATION OF ALL SERVICES MUST BE OBTAINED FROM THE INDIVIDUAL UTILITIES BEFORE PROCEEDING WITH CONSTRUCTION.

NO.	REVISIONS	DATE	BY
2	REVISED PER ADDENDUM No.2	12.01.31	K.S.A.
1	REVISED PER ADDENDUM No.1	12.01.18	K.S.A.
0	ISSUED FOR TENDER	11.12.15	K.S.A.

Stantec Consulting Ltd.
905 Waverley Street, Winnipeg, Manitoba
Tel 204-489-5900 Fax 204-453-9012

DESIGNED BY	K.S.A.	CHECKED BY	K.S.A.
DRAWN BY	V.J.F.	APPROVED BY	B.J.W.
HOR. SCALE:	AS SHOWN	RELEASED FOR CONSTRUCTION:	
VERTICAL:		DATE	DEC. 15, 2011

ENGINEER'S SEAL
CONSULTANT DRAWING NO. S-803

THE CITY OF WINNIPEG
PUBLIC WORKS DEPARTMENT
ENGINEERING DIVISION

STURGEON ROAD
BRIDGE REPLACEMENT
PORTAGE AVENUE TO HALLONQUIST DRIVE
AT TRAIL & MEDIAN RETAINING WALL
ELEVATIONS

SHEET 59 OF 82
CAD FILE DRAWING NUMBER 31590s-801-767.dwg
CITY DRAWING NUMBER B120-12-059