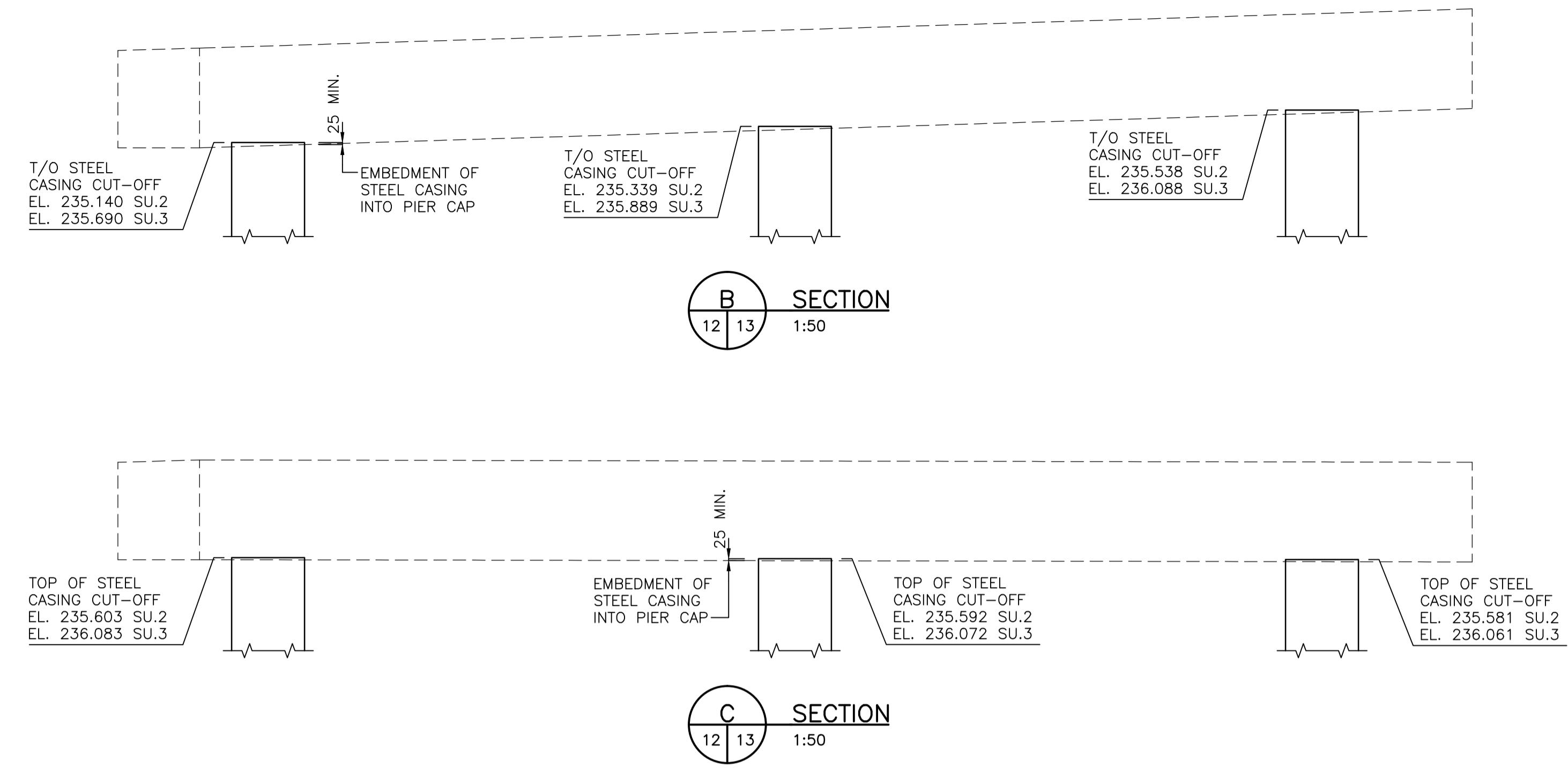
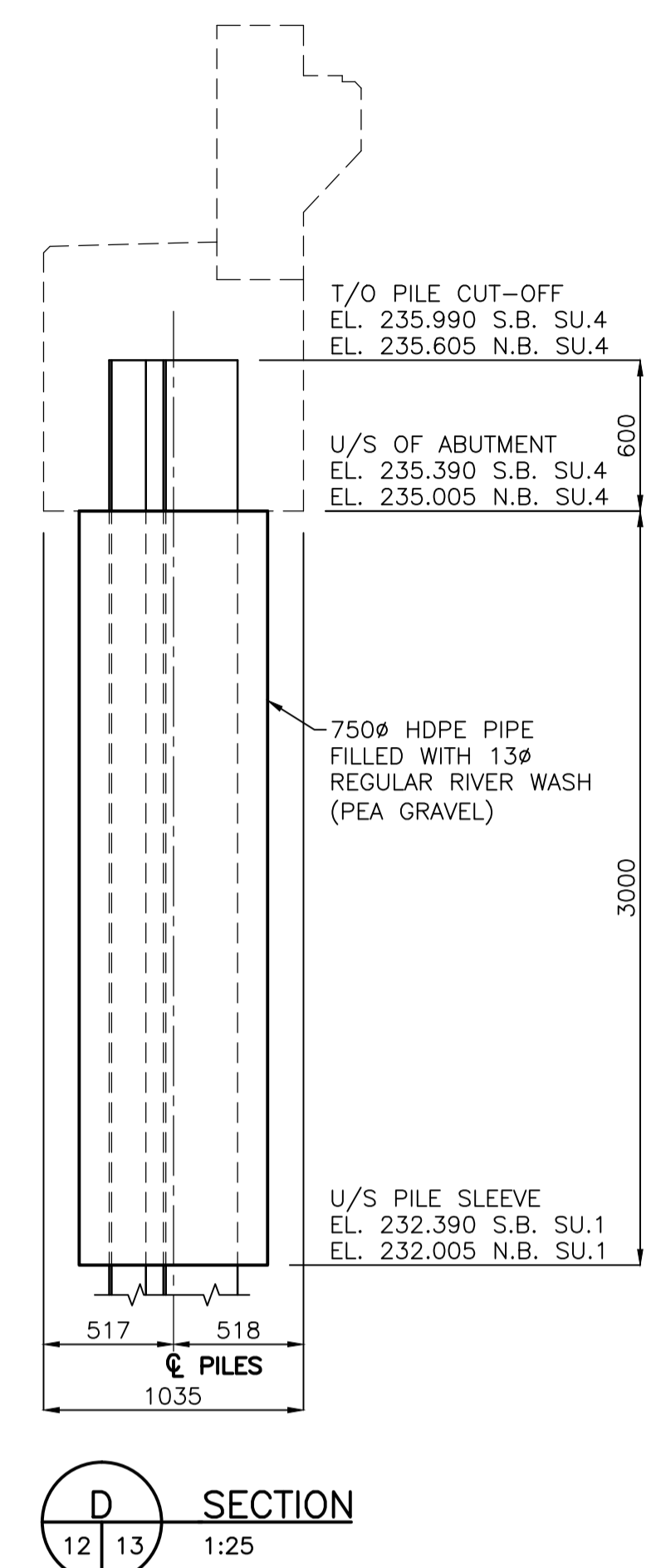


A SECTION
1:25

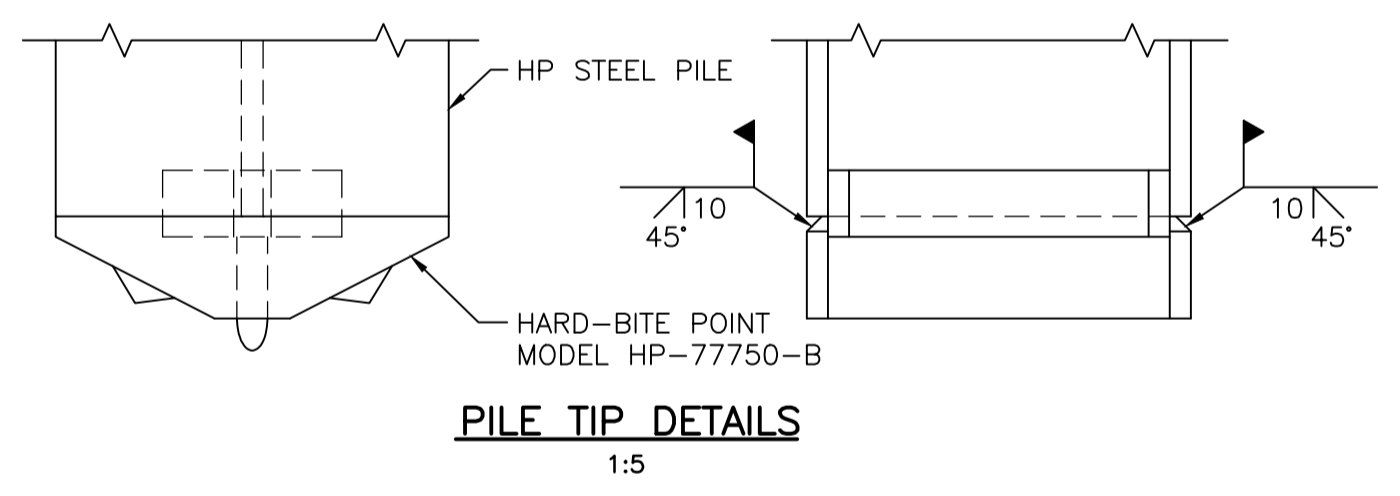


B SECTION
1:50

C SECTION
1:50



D SECTION
1:25



PILE TIP DETAILS
1:5

NOTE:
 1. EDGES OF HARD-BITE POINT PILE TIP TO BE GROUND ON 45° BEVEL FOR 10mm
 2. 5mm LOW HYDROGEN *E70 SERIES ELECTRODES SHALL BE USED.
 3. THE MINIMUM ROOT PASS SHALL BE 6mm.
 *E48018 EQUIVALENT METRIC ELECTRODE

V:\11371590\drawing\31590\31590.dwg 2011 Dec 20 2:50pm Login: Beemcoarts, James



METRIC
 WHOLE NUMBERS INDICATE MILLIMETRES
 DECIMALIZED NUMBERS INDICATE METRES

LOCATION APPROVED UNDERGROUND STRUCTURES		B.M. ELEV.
SUPV. U/G STRUCTURES COMMITTEE	DATE	
NOTE: LOCATION OF UNDERGROUND STRUCTURES AS SHOWN ARE BASED ON THE BEST INFORMATION AVAILABLE BUT NO GUARANTEE IS GIVEN THAT ALL EXISTING UTILITIES ARE SHOWN OR THAT THE GIVEN LOCATIONS ARE EXACT. CONFIRMATION OF EXISTENCE AND EXACT LOCATION OF ALL SERVICES MUST BE OBTAINED FROM THE INDIVIDUAL UTILITIES BEFORE PROCEEDING WITH CONSTRUCTION.		
NO.	REVISIONS	DATE BY

DESIGNED BY	K.S.A.	CHECKED BY	K.S.A.
DRAWN BY	J.M.B.	APPROVED BY	B.J.W.
SCALE:	1:75 U.N.O	RELEASED FOR CONSTRUCTION:	
ISSUED FOR TENDER	11.12.15	K.S.A.	
DATE	DEC. 15, 2011	DATE	

Stantec Consulting Ltd.
 100-1355 Taylor Ave., Winnipeg, Manitoba
 Tel 204-488-5742 Fax 204-284-4795

ENGINEER'S SEAL
 CONSULTANT DRAWING NO. S-105

THE CITY OF WINNIPEG
 PUBLIC WORKS DEPARTMENT
 ENGINEERING DIVISION

STURGEON ROAD
 BRIDGE REPLACEMENT
 PORTAGE AVENUE TO HALLONQUIST DRIVE
 FOUNDATION DETAILS

SHEET 13 OF 81
 CAD FILE DRAWING NUMBER 31590s-105-767.dwg
 CITY DRAWING NUMBER B120-12-013