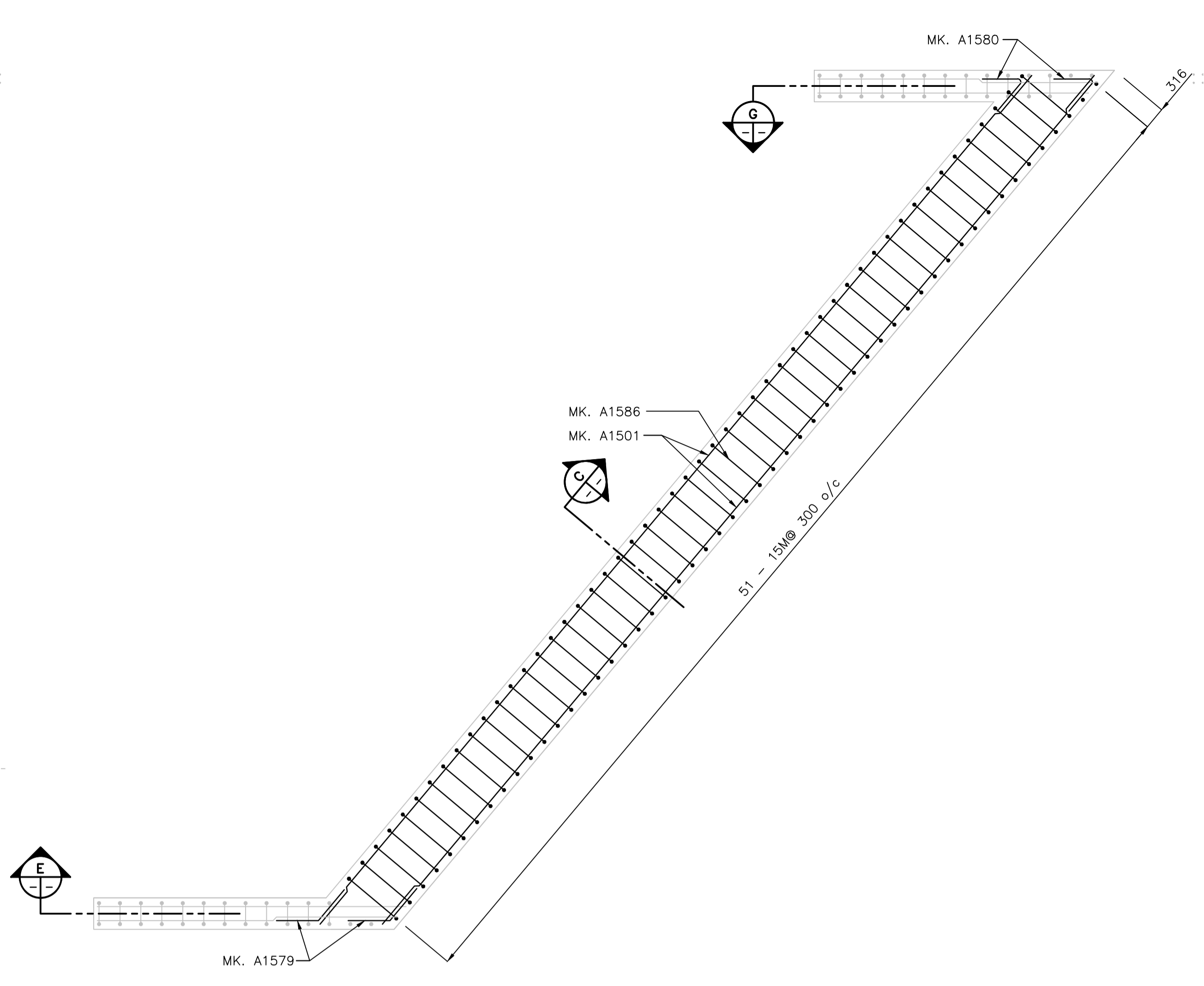
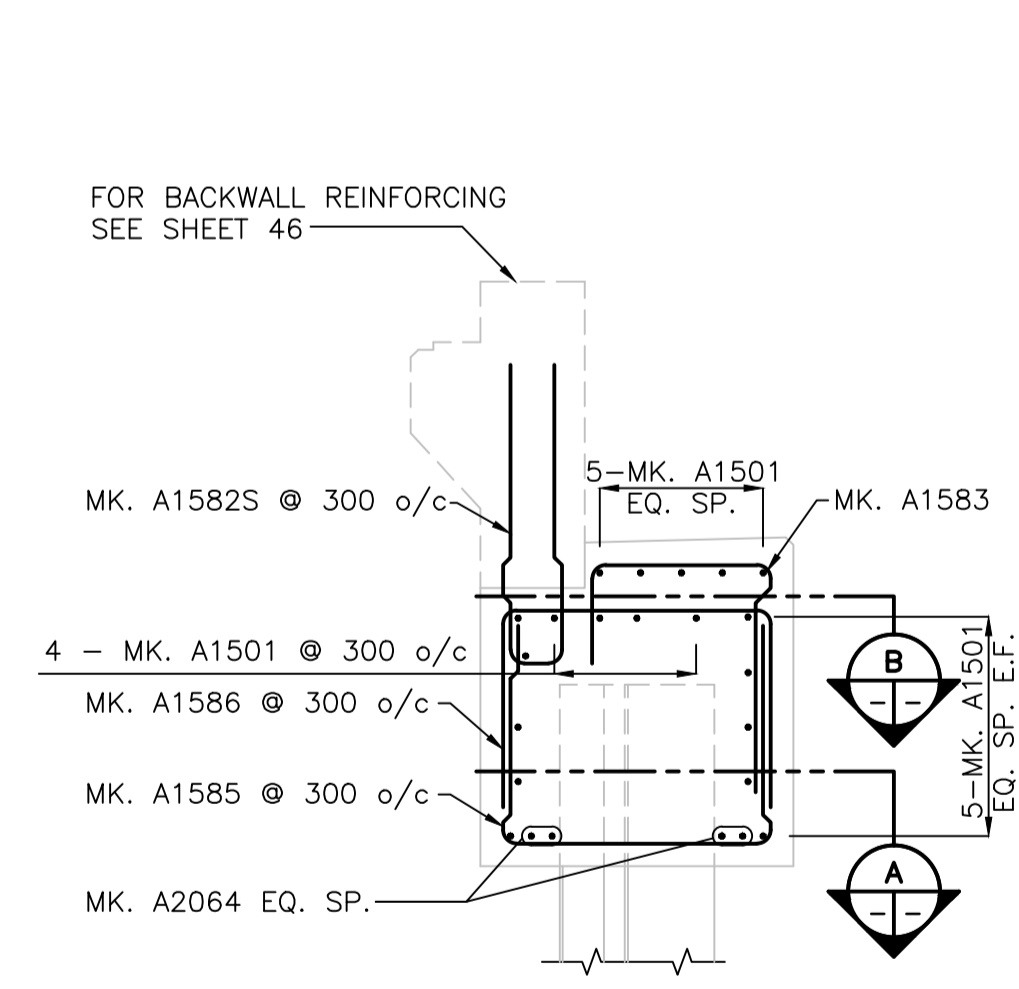


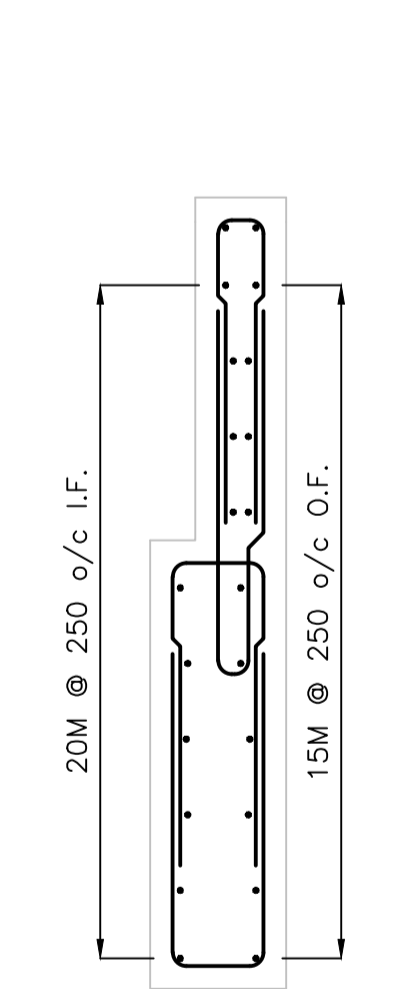
A N.B. ABUTMENT PLAN - SU.1
1:50



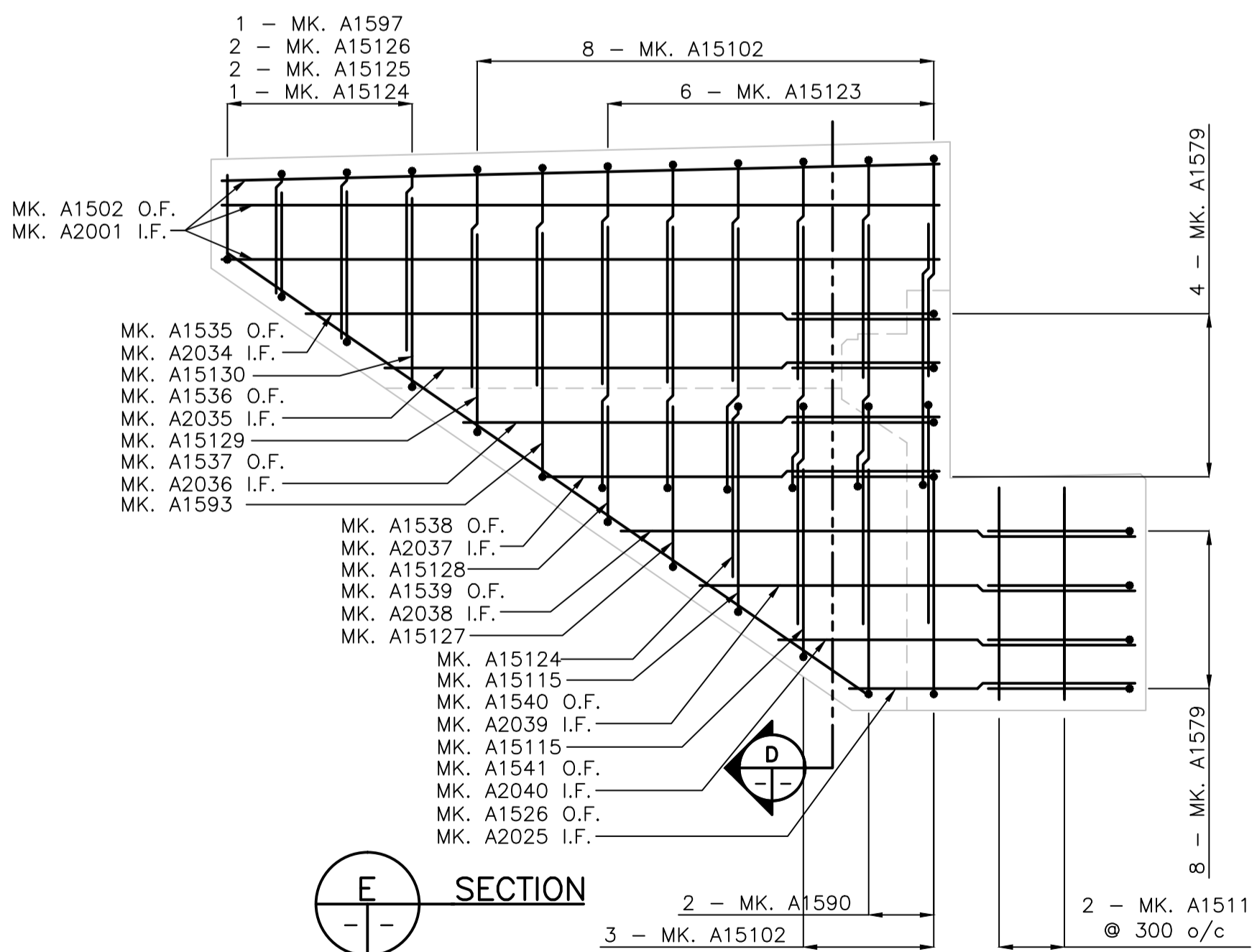
B N.B. ABUTMENT PLAN - SU.1
1:50



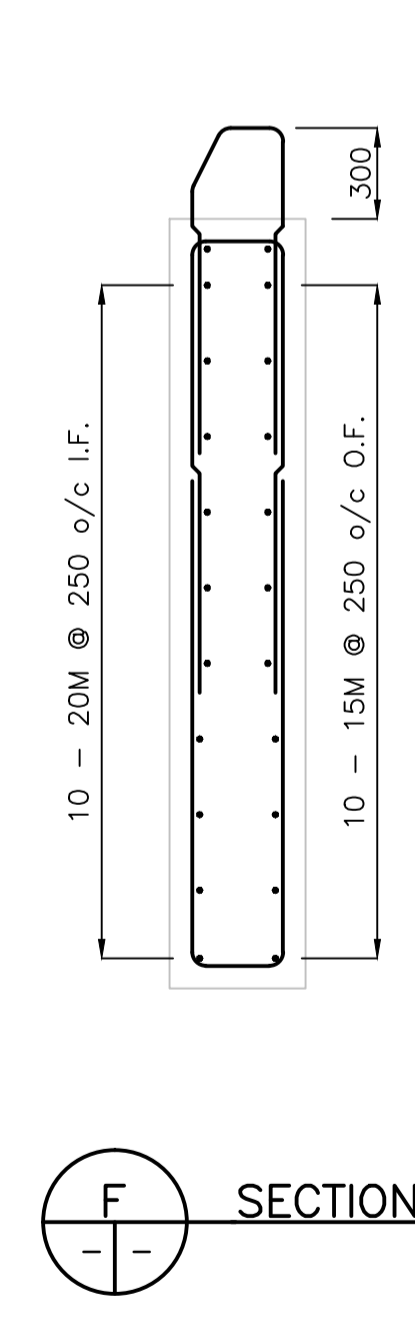
C SECTION



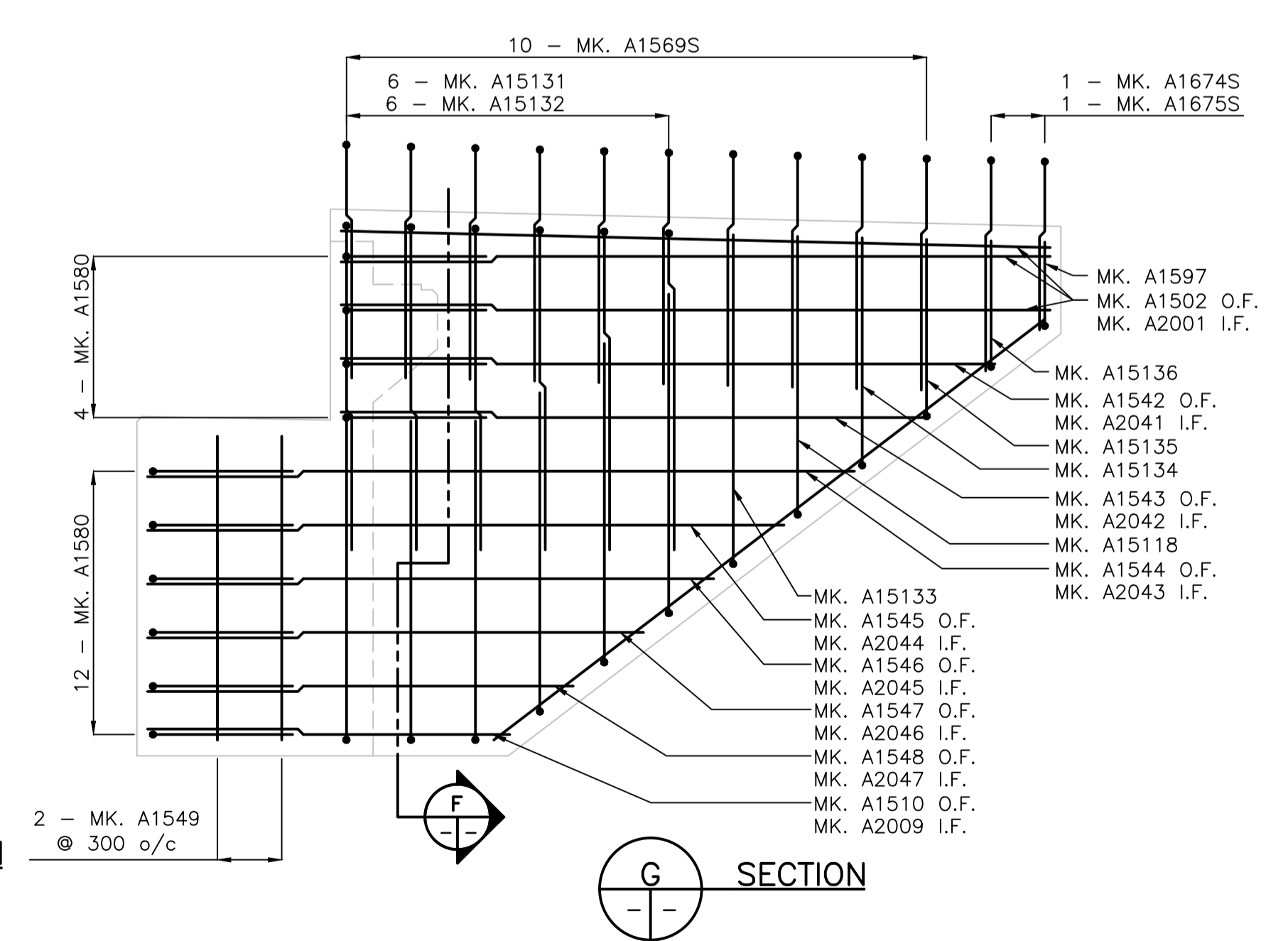
D SECTION



E SECTION



F SECTION



G SECTION

V:\1137\1590\drawing\402_design\sheet_files\2011-11-12_tender_issue\31590s-205-767.dwg
 Date: 2011 Dec 20 3:12pm Login: Beemcoarts, James

APEGM
Certificate of Authorization
Stantec Consulting Ltd.
No. 1301 Date: _____

METRIC
WHOLE NUMBERS INDICATE MILLIMETRES
DECIMALIZED NUMBERS INDICATE METRES

LOCATION APPROVED UNDERGROUND STRUCTURES

SUPV. U/G STRUCTURES COMMITTEE	DATE

NOTE:
LOCATION OF UNDERGROUND STRUCTURES AS SHOWN ARE BASED ON THE BEST INFORMATION AVAILABLE BUT NO GUARANTEE IS GIVEN THAT ALL EXISTING UTILITIES ARE SHOWN OR THAT THE GIVEN LOCATIONS ARE EXACT. CONFIRMATION OF EXISTENCE AND EXACT LOCATION OF ALL SERVICES MUST BE OBTAINED FROM THE INDIVIDUAL UTILITIES BEFORE PROCEEDING WITH CONSTRUCTION.

NO.	REVISIONS	DATE	BY
0	ISSUED FOR TENDER	11.12.15	K.S.A.

Stantec Consulting Ltd.
100-1355 Taylor Ave., Winnipeg, Manitoba
Tel 204-488-5742 Fax 204-284-4795

DESIGNED BY K.S.A.	CHECKED BY K.S.A.
DRAWN BY S.A.S.	APPROVED BY B.J.W.
SCALE: 1:25 U.N.O	RELEASED FOR CONSTRUCTION: DATE

ENGINEER'S SEAL
CONSULTANT DRAWING NO.
S-207

THE CITY OF WINNIPEG
PUBLIC WORKS DEPARTMENT
ENGINEERING DIVISION

STURGEON ROAD
BRIDGE REPLACEMENT
PORTAGE AVENUE TO HALLONQUIST DRIVE
REINFORCING DETAILS
NORTHBOUND ABUTMENT SU.1

SHEET **23** OF **82**
CAD FILE DRAWING NUMBER
31590s-205-767.dwg
CITY DRAWING NUMBER
B120-12-023