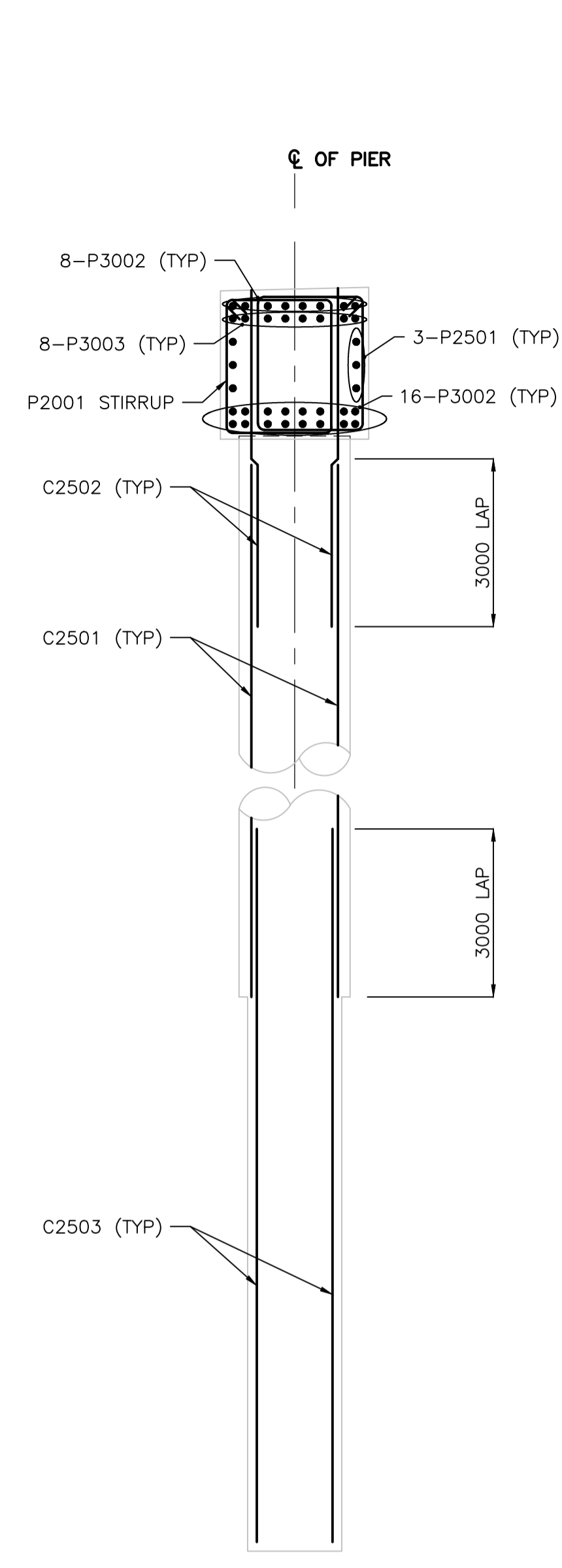
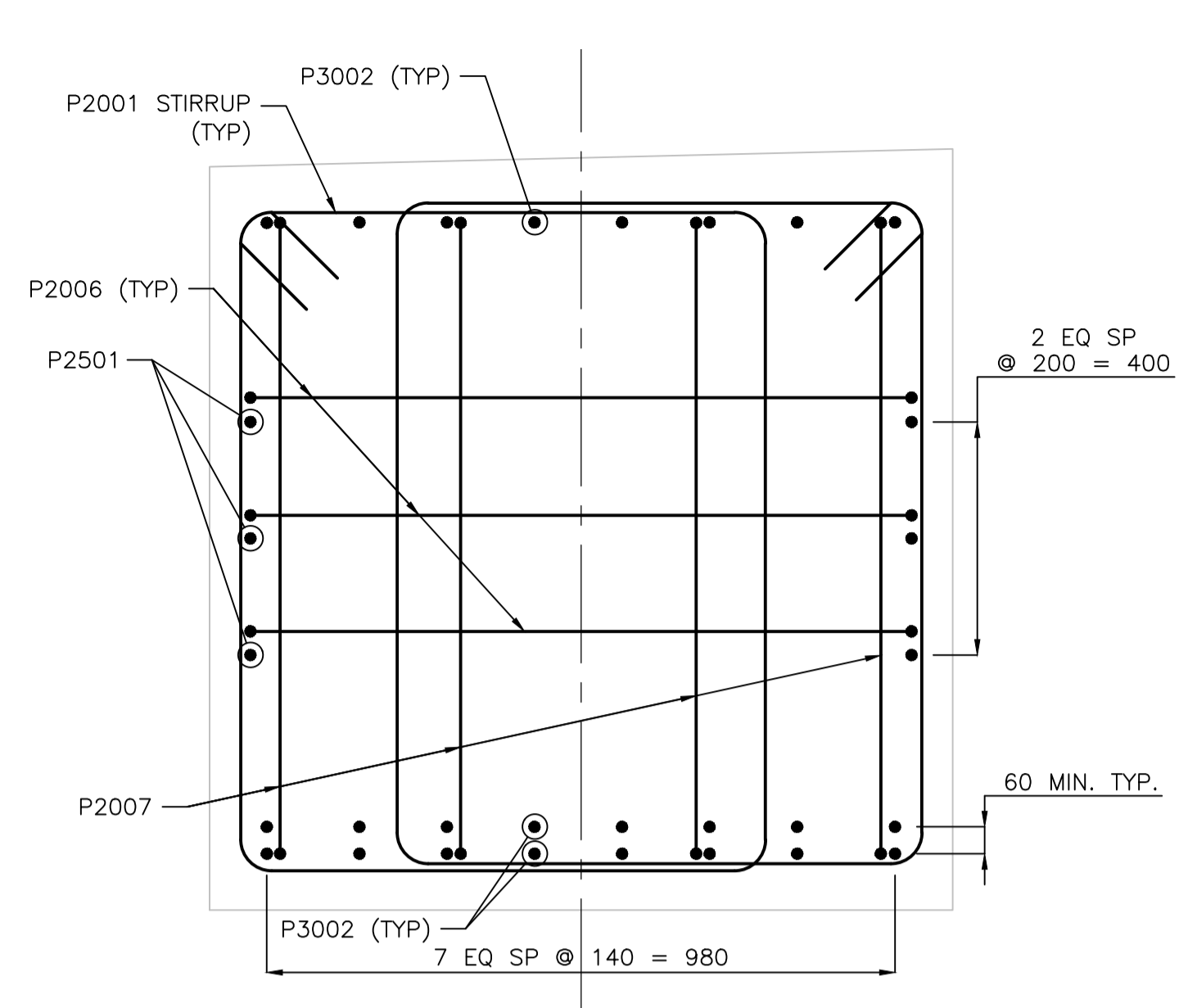


REINFORCEMENT ELEVATION  
1:40

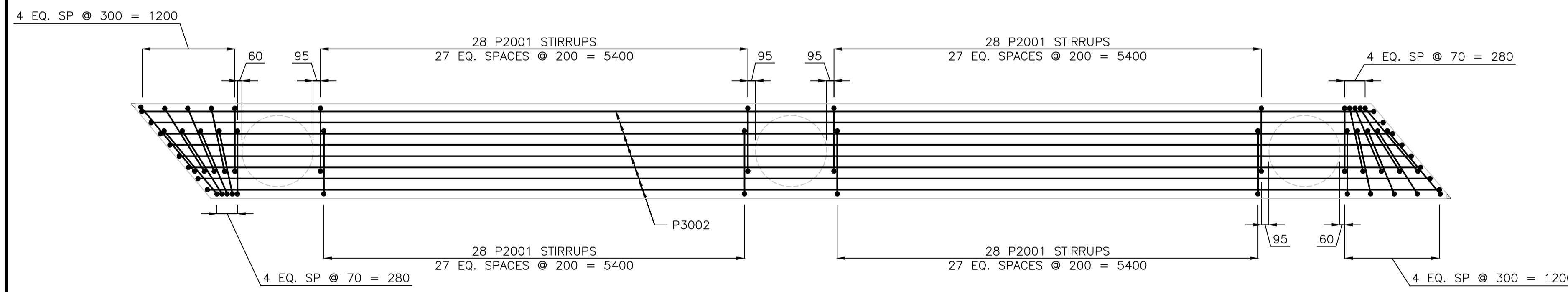


SECTION A  
1:40

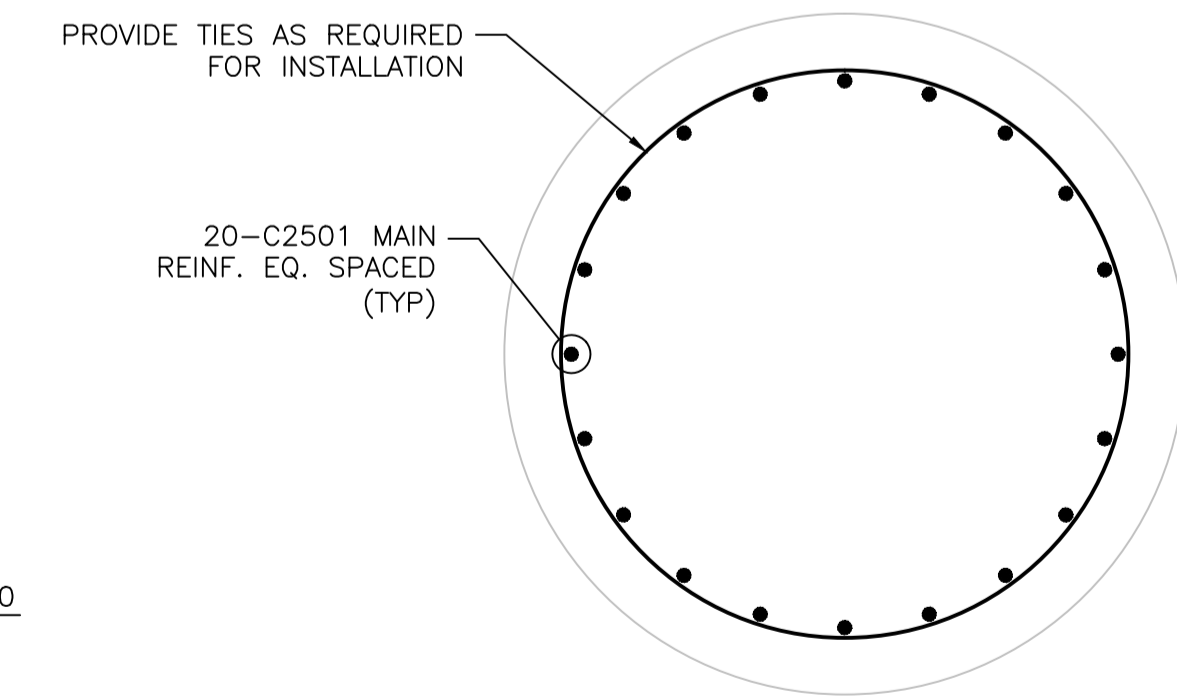


SECTION B  
1:10

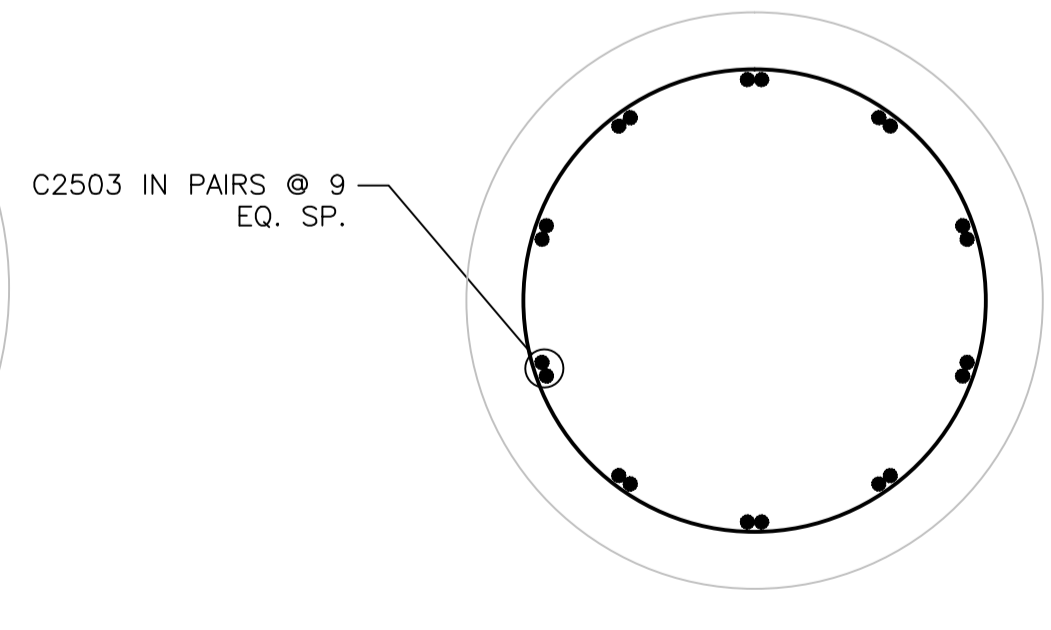
NOTE:  
1. SEE SHEETS 12 AND 14 FOR BORE HOLE INFORMATION  
2. SEE SHEETS 12 AND 13 FOR CAISSON LAYOUT AND CUT-OFF INFORMATION



REINFORCEMENT PLAN  
1:40



SECTION C  
1:10



SECTION D  
1:10

V:\1137\active\11371590\drawing\402\_design\sheet\_files\2011-11-12\_tender\_issue\31590s-301-767.dwg  
 Date: 2011 Dec 20 3:16pm Login: Beemcoarts, James

**APEGM**  
 Certificate of Authorization  
 Stantec Consulting Ltd.  
 No. 1301 Date: \_\_\_\_\_

**METRIC**  
 WHOLE NUMBERS INDICATE MILLIMETRES  
 DECIMALIZED NUMBERS INDICATE METRES

LOCATION APPROVED UNDERGROUND STRUCTURES

SUPV. U/G STRUCTURES COMMITTEE	DATE

NOTE:  
LOCATION OF UNDERGROUND STRUCTURES AS SHOWN ARE BASED ON THE BEST INFORMATION AVAILABLE BUT NO GUARANTEE IS GIVEN THAT ALL EXISTING UTILITIES ARE SHOWN OR THAT THE GIVEN LOCATIONS ARE EXACT. CONFIRMATION OF EXISTENCE AND EXACT LOCATION OF ALL SERVICES MUST BE OBTAINED FROM THE INDIVIDUAL UTILITIES BEFORE PROCEEDING WITH CONSTRUCTION.

NO.	REVISIONS	DATE	BY
0	ISSUED FOR TENDER	11.12.15	K.S.A.

**Stantec Consulting Ltd.**  
 100-1355 Taylor Ave., Winnipeg, Manitoba  
 Tel 204-928-8840 Fax 204-284-4795

DESIGNED BY <b>K.S.A.</b>	CHECKED BY <b>K.S.A.</b>
DRAWN BY <b>J.M.B.</b>	APPROVED BY <b>B.J.W.</b>
HOR. SCALE: 1:10	RELEASED FOR CONSTRUCTION:
VERTICAL: U.N.O.	DATE

DATE DEC. 15, 2011

ENGINEER'S SEAL  
 CONSULTANT DRAWING NO.  
**S-303**

**THE CITY OF WINNIPEG**  
 PUBLIC WORKS DEPARTMENT  
 ENGINEERING DIVISION

**STURGEON ROAD**  
 BRIDGE REPLACEMENT  
 PORTAGE AVENUE TO HALLONQUIST DRIVE  
 REINFORCING DETAILS  
 SOUTHBOUND PIERS SU.2 & SU.3

SHEET <b>28</b>	OF <b>82</b>
CAD FILE DRAWING NUMBER 31590s-301-767.dwg	
CITY DRAWING NUMBER <b>B120-12-028</b>	