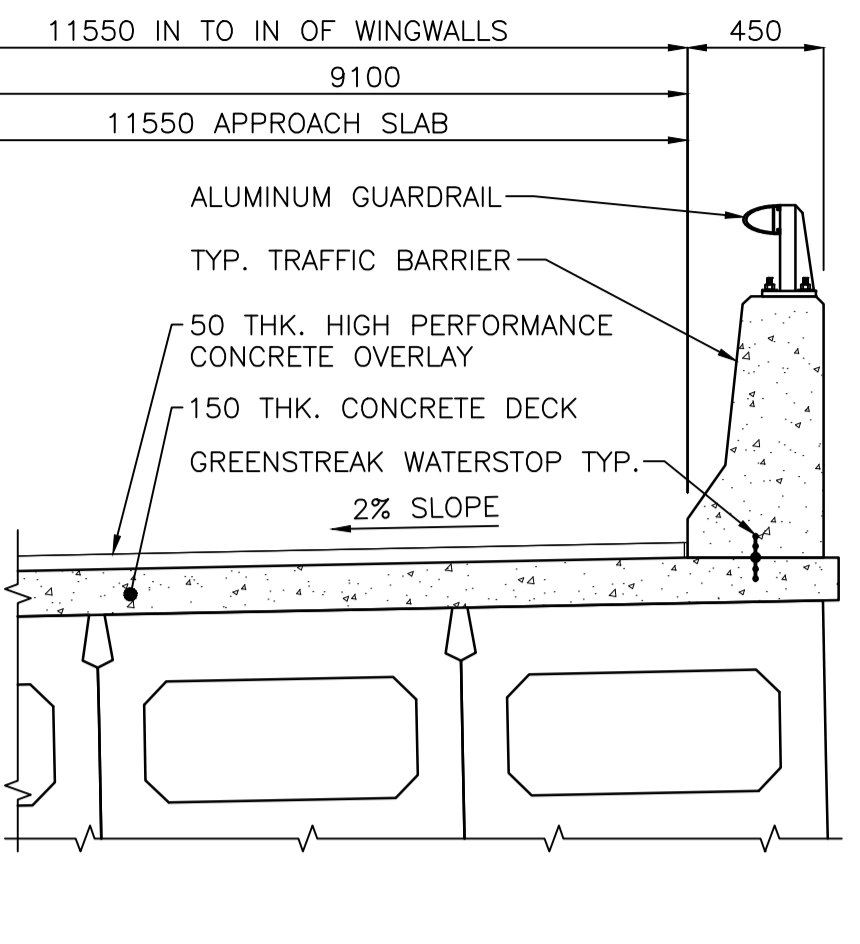
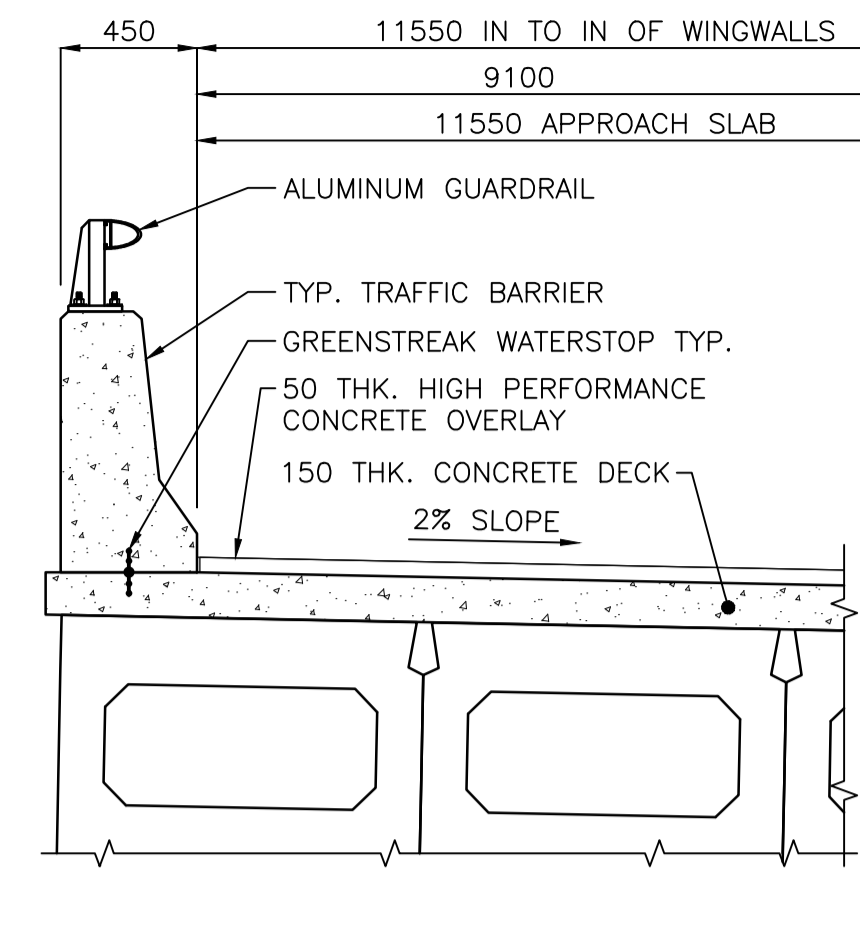


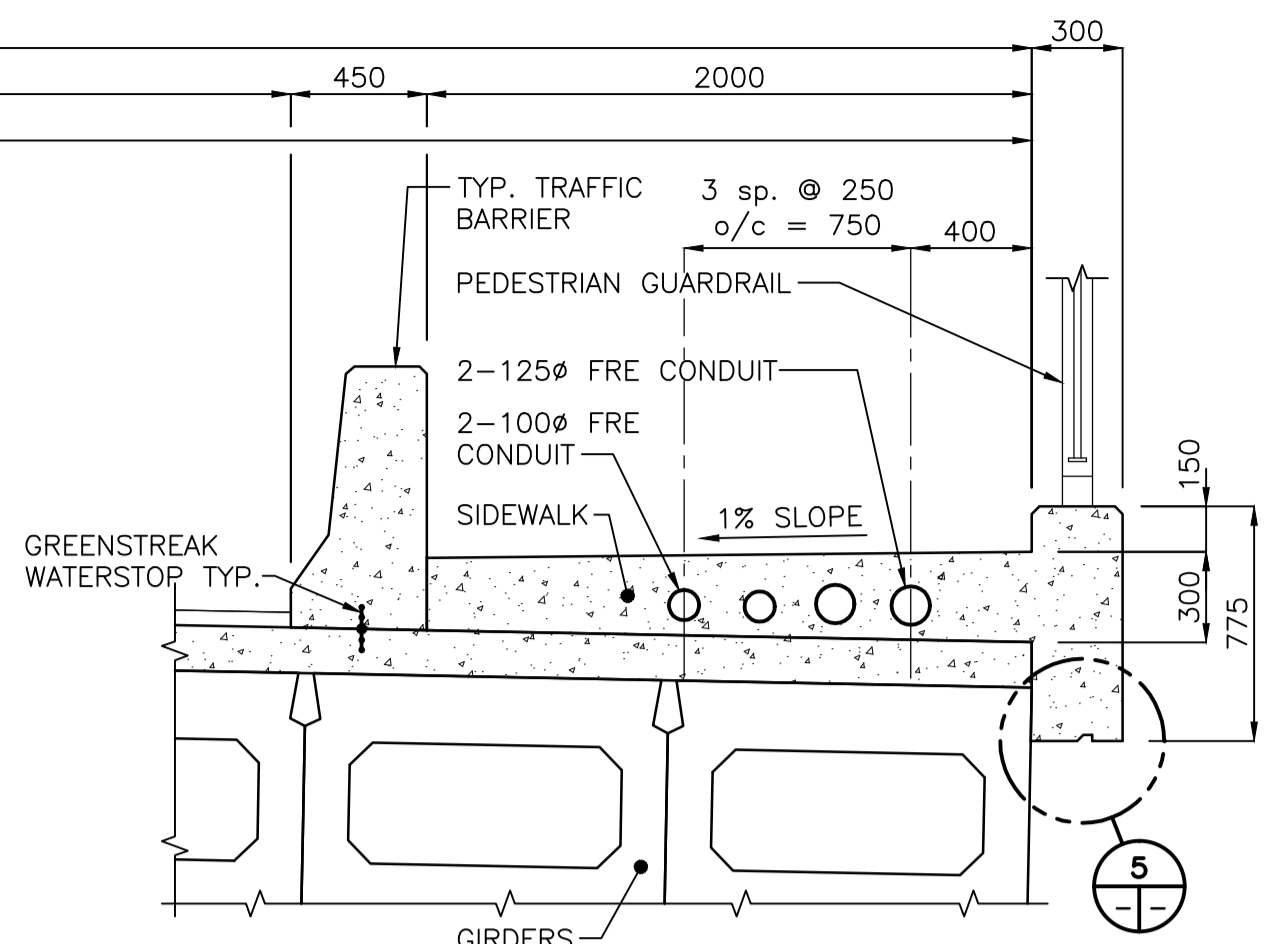
A SECTION
39 41



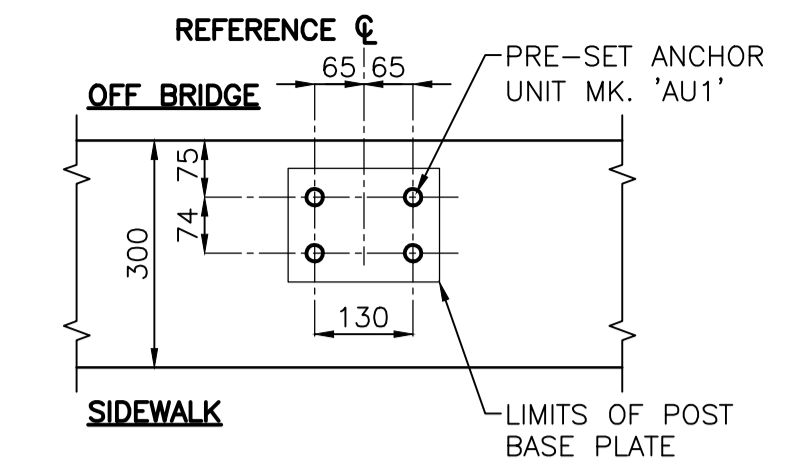
B SECTION
39 41



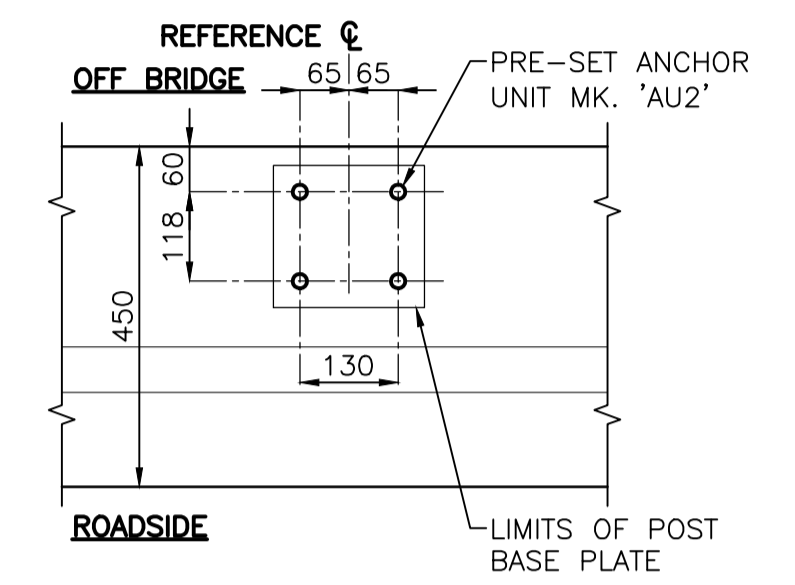
C SECTION
39 41



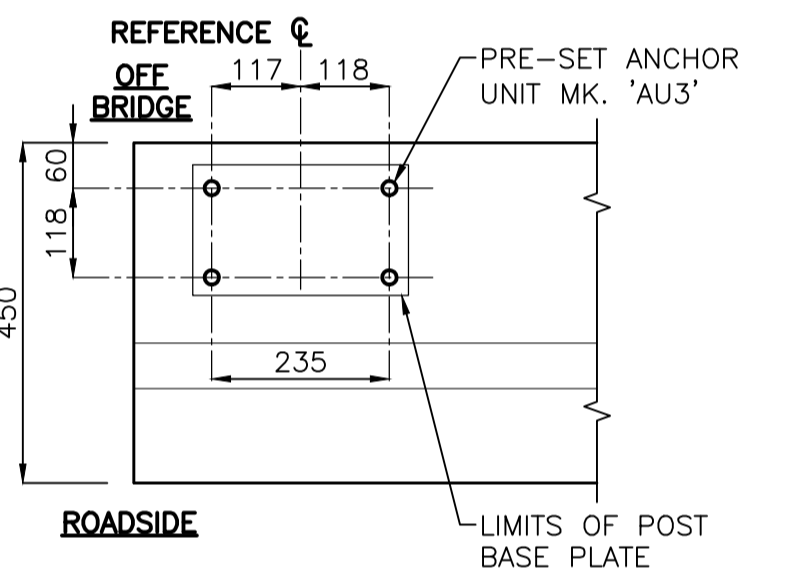
D SECTION
39 41



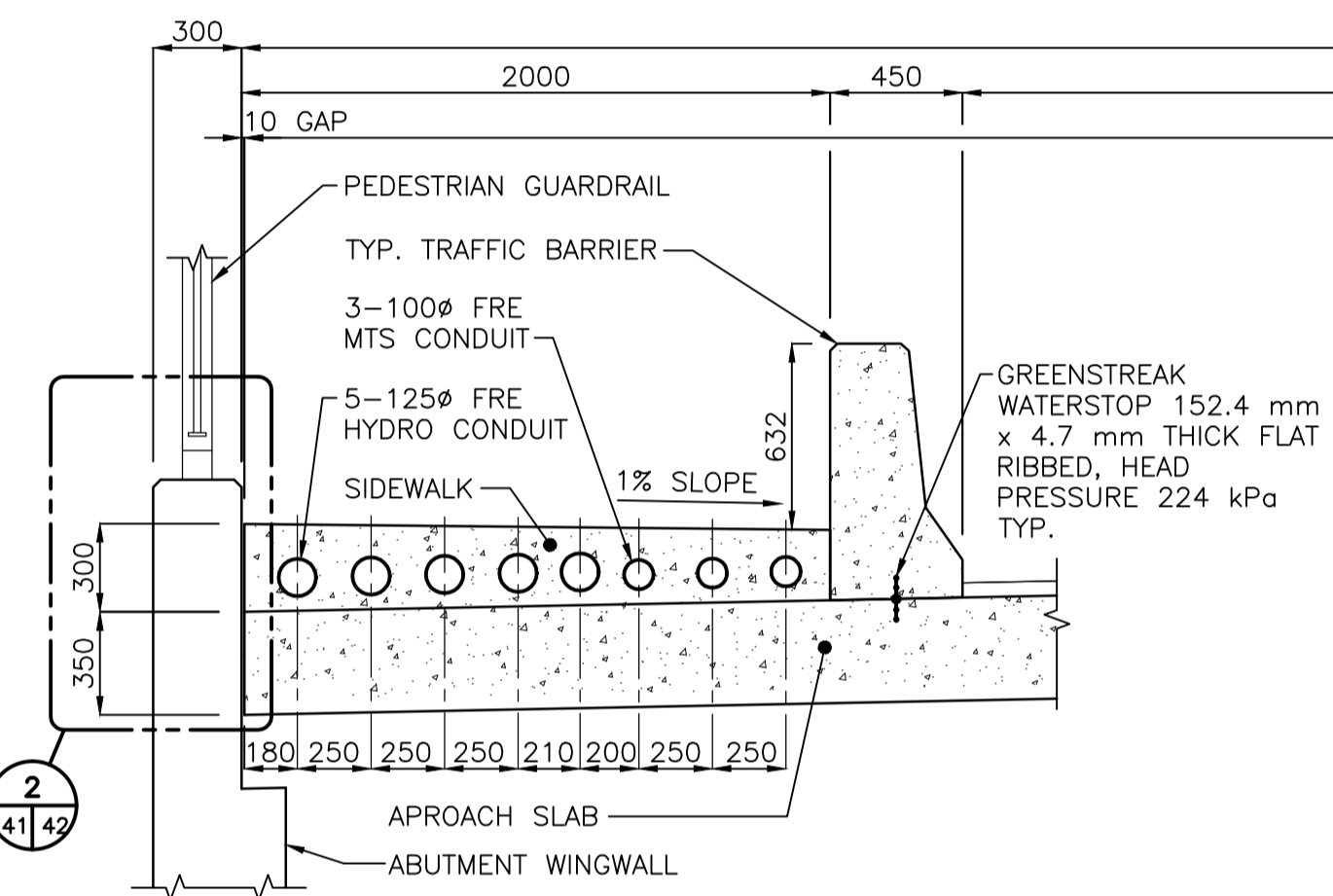
TYPICAL MK. 'AU1' LOCATION DETAIL
1:10



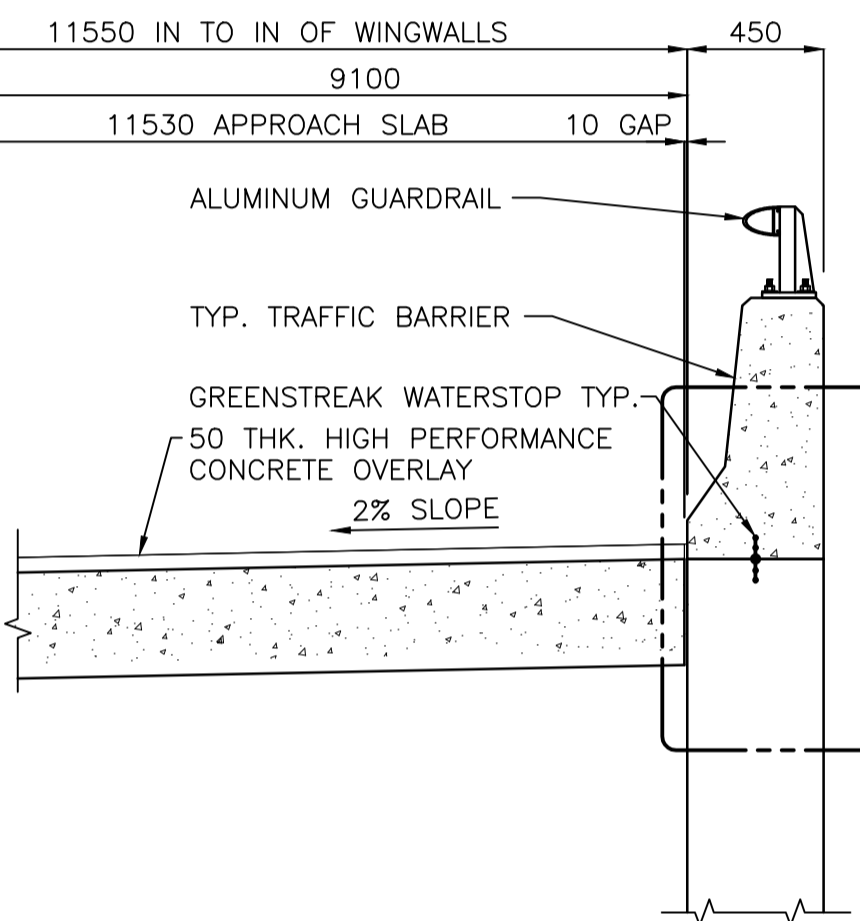
TYPICAL MK. 'AU2' LOCATION DETAIL
1:10



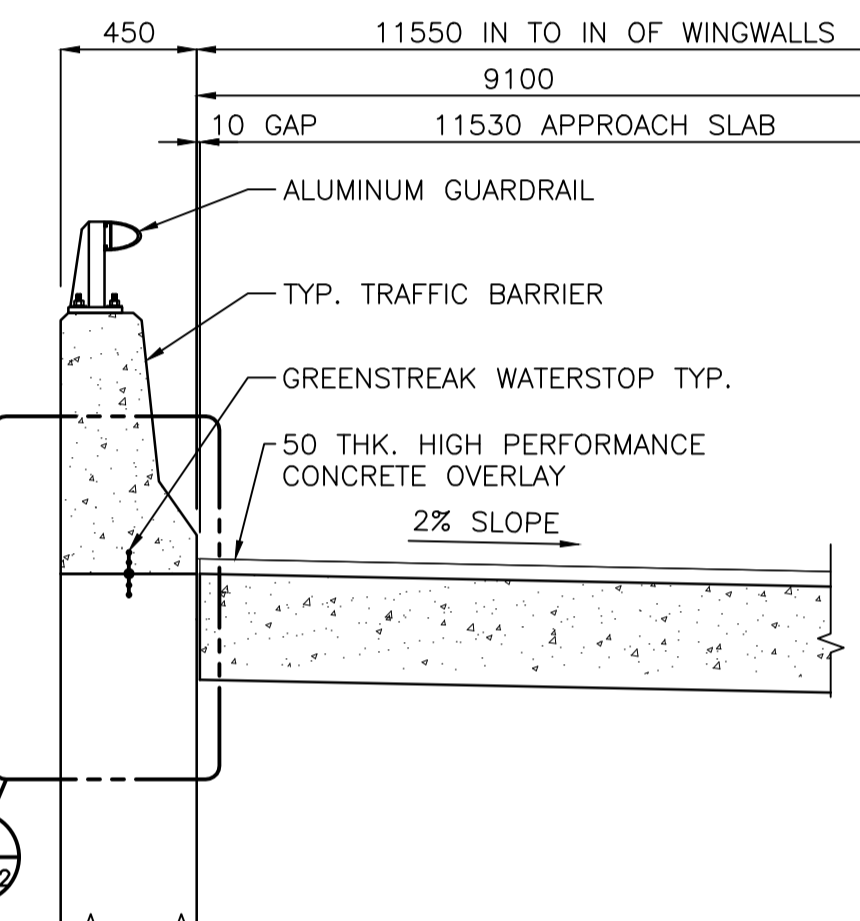
TYPICAL MK. 'AU3' LOCATION DETAIL
1:10



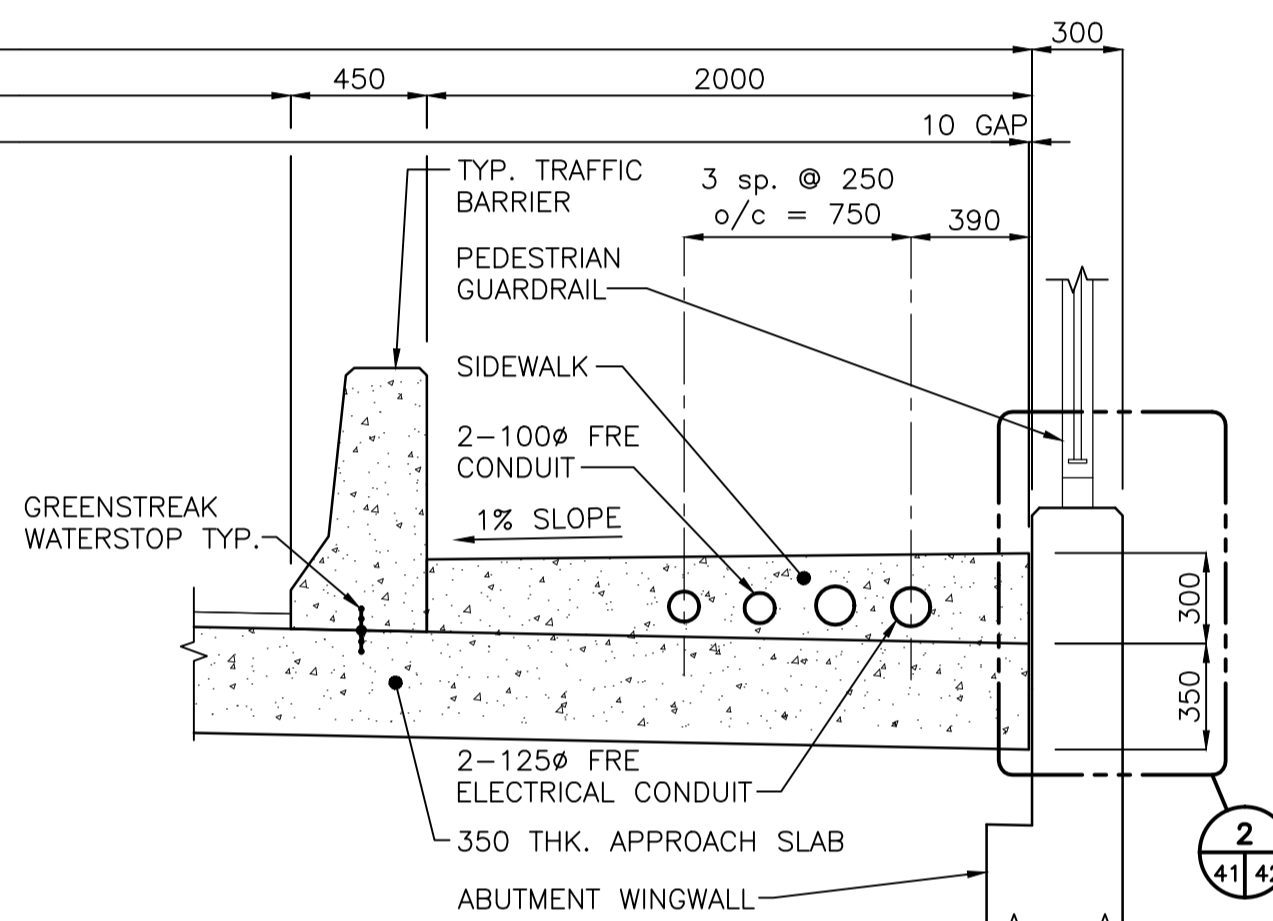
E SECTION
40 41



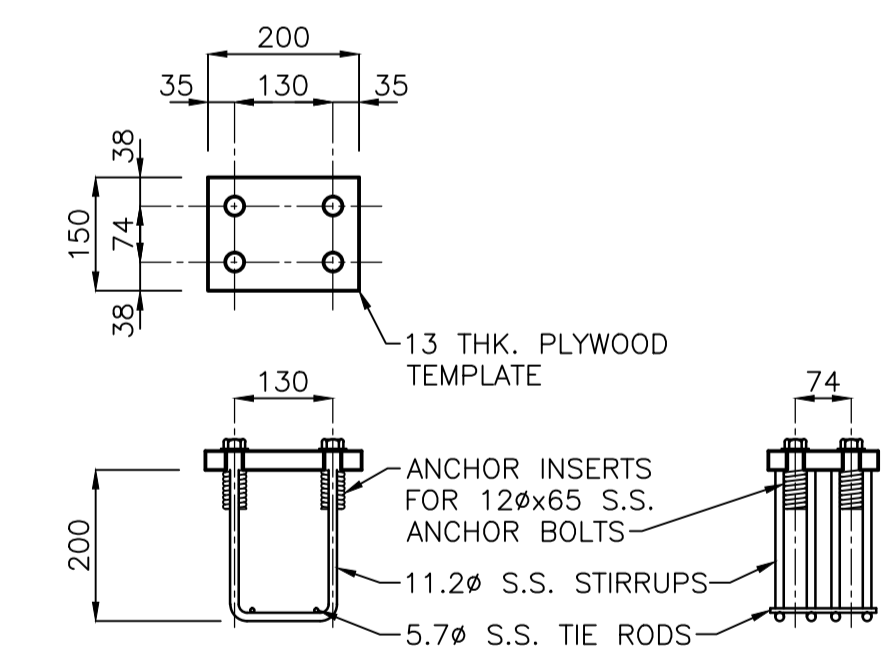
F SECTION
40 41



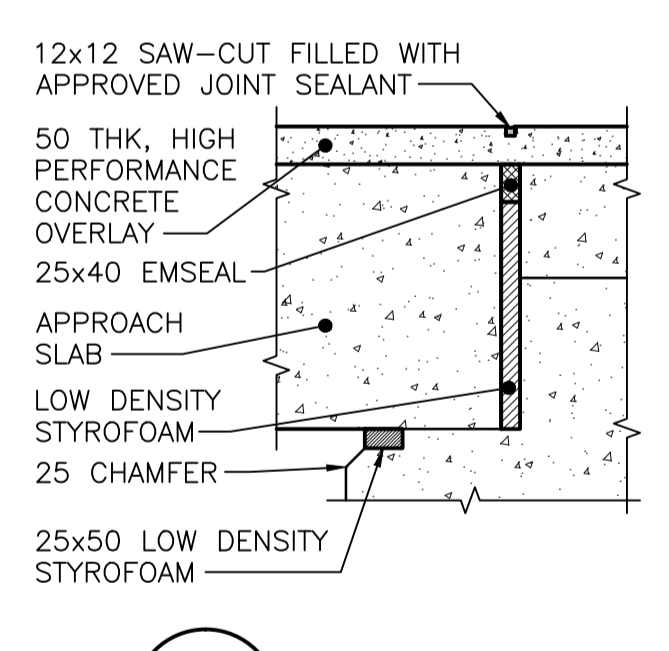
G SECTION
40 41



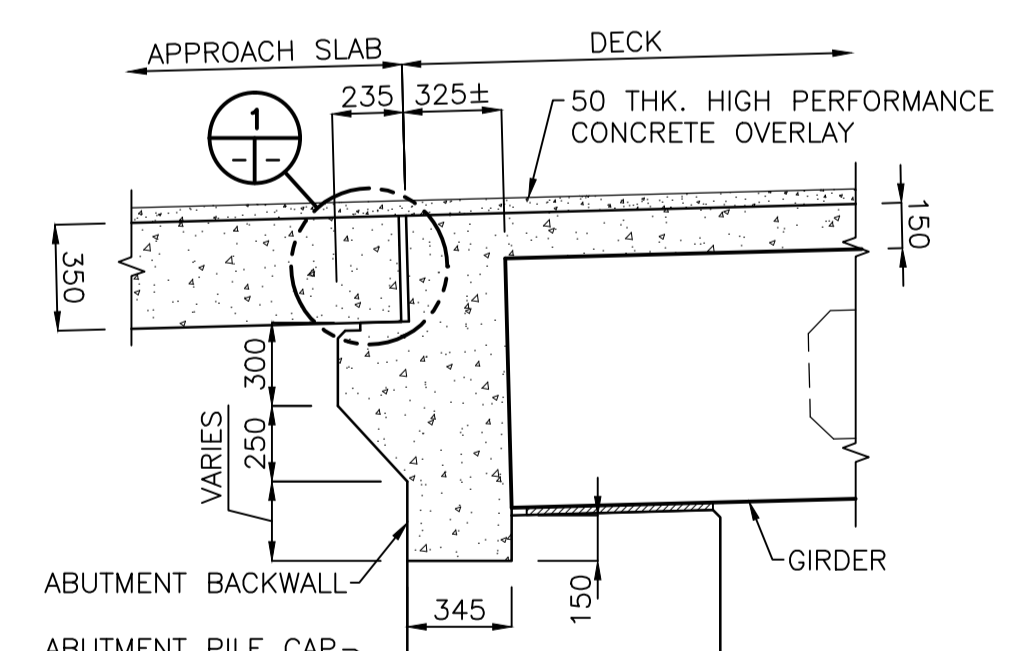
H SECTION
40 41



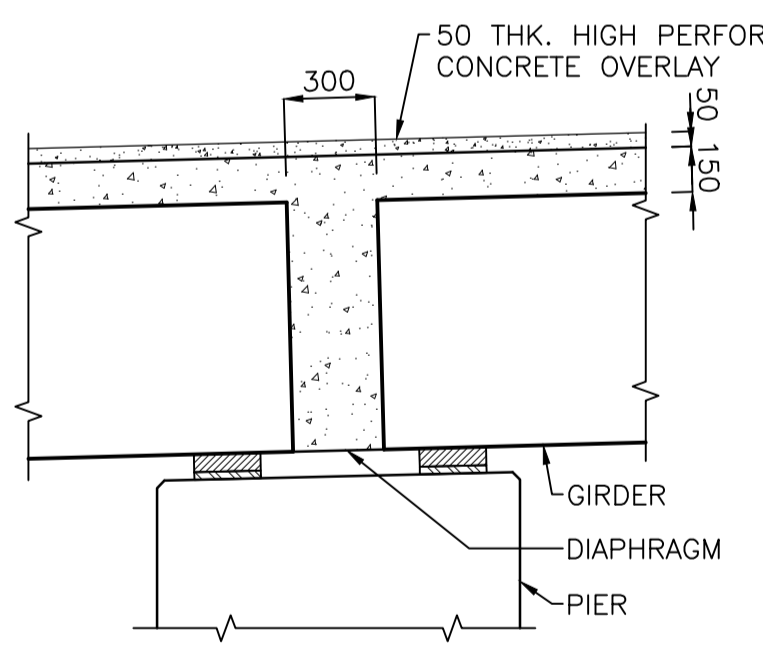
PRE-SET ANCHOR UNIT MK. 'AU1'
1:10



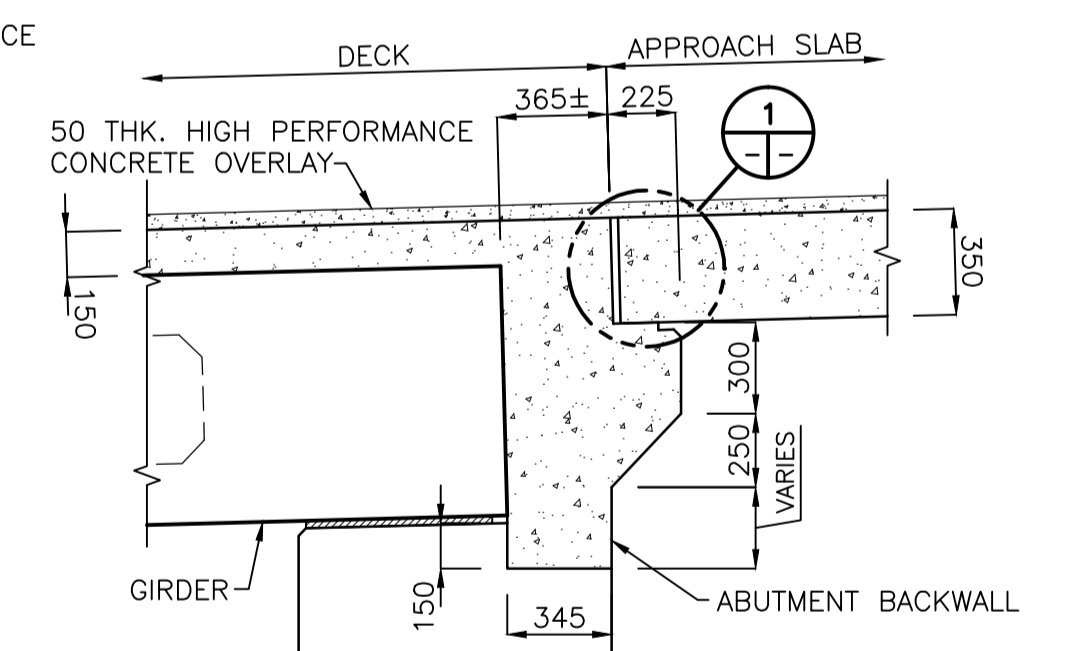
1 DETAIL
1:10



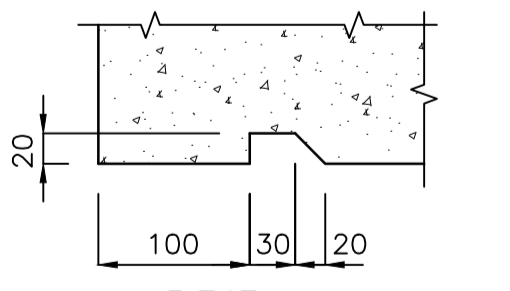
J SECTION
39 41



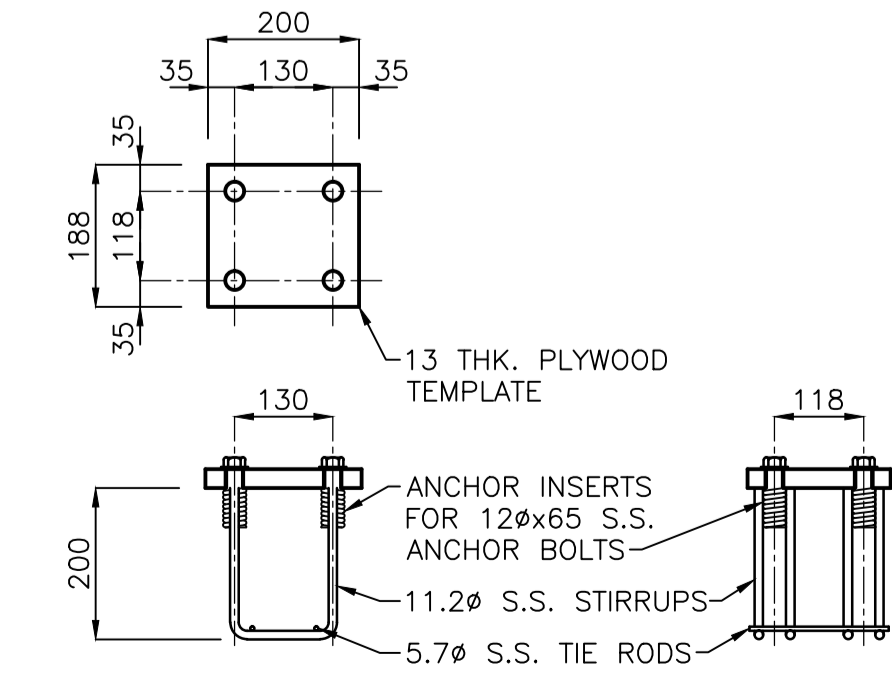
K SECTION
39 41



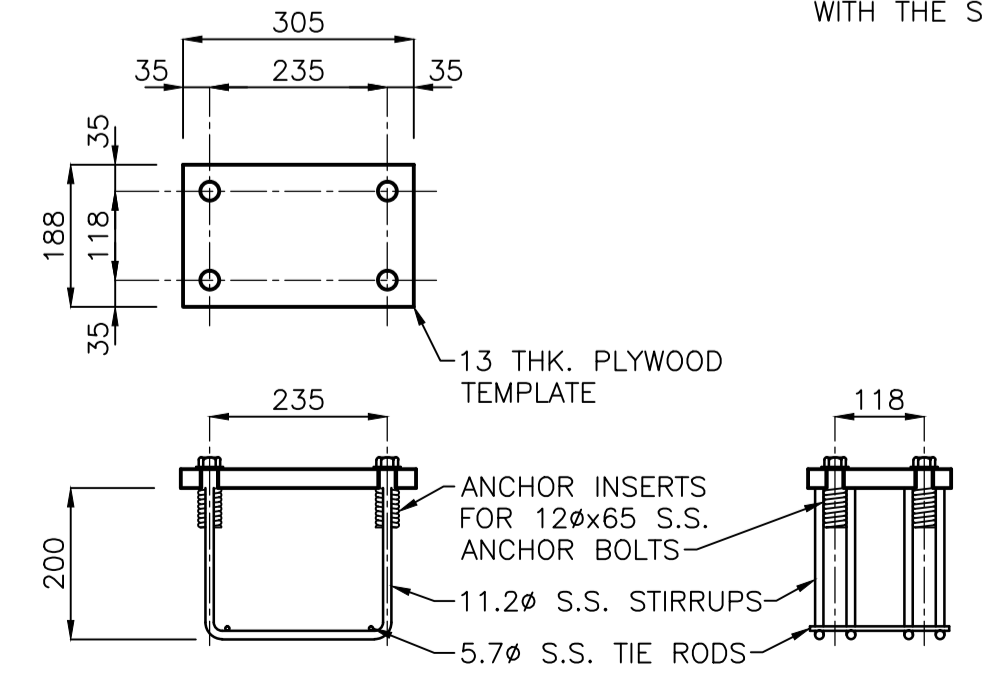
L SECTION
39 41



DRIP GROOVE DETAIL
1:5



PRE-SET ANCHOR UNIT MK. 'AU2'
1:10



PRE-SET ANCHOR UNIT MK. 'AU3'
1:10



METRIC
WHOLE NUMBERS INDICATE MILLIMETRES
DECIMALIZED NUMBERS INDICATE METRES

LOCATION APPROVED UNDERGROUND STRUCTURES	
SUPV. U/G STRUCTURES COMMITTEE	DATE
NOTE: LOCATION OF UNDERGROUND STRUCTURES AS SHOWN ARE BASED ON THE BEST INFORMATION AVAILABLE BUT NO GUARANTEE IS GIVEN THAT ALL EXISTING UTILITIES ARE SHOWN OR THAT THE GIVEN LOCATIONS ARE EXACT. CONFIRMATION OF EXISTENCE AND EXACT LOCATION OF ALL SERVICES MUST BE OBTAINED FROM THE INDIVIDUAL UTILITIES BEFORE PROCEEDING WITH CONSTRUCTION.	

B.M. ELEV.	
NO.	REVISIONS
DATE	BY

Stantec Consulting Ltd.	
905 Waverley Street, Winnipeg, Manitoba Tel 204-489-5900 Fax 204-453-9012	
DESIGNED BY: K.S.A.	CHECKED BY: K.S.A.
DRAWN BY: J.M.B.	APPROVED BY: B.J.W.
HOR. SCALE: 1:25	RELEASED FOR CONSTRUCTION: DATE
VERTICAL: U.N.O.	DATE: DEC. 15, 2011

ENGINEER'S SEAL
CONSULTANT DRAWING NO. S-603

THE CITY OF WINNIPEG
PUBLIC WORKS DEPARTMENT
ENGINEERING DIVISION

STURGEON ROAD
BRIDGE REPLACEMENT
PORTAGE AVENUE TO HALLONQUIST DRIVE
CONCRETE DETAILS
DECK, APPROACH & REINFORCED ROAD SLAB

SHEET **41** OF **82**
CAD FILE DRAWING NUMBER 31590s-601-767.dwg
CITY DRAWING NUMBER **B120-12-041**

V:\1137\1590\drawing\402_design\sheet_files\2011-11-12_tender_issue\31590s-601-767.dwg
 Date: 2011 Dec 20 4:03pm Login: Beemorts, James