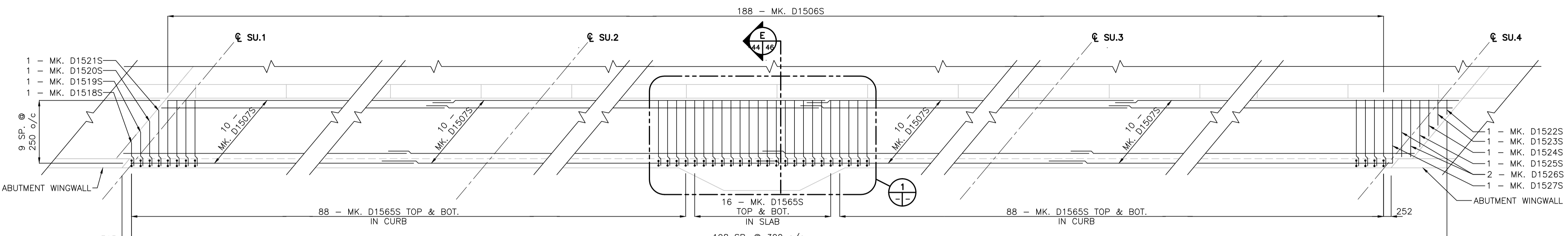
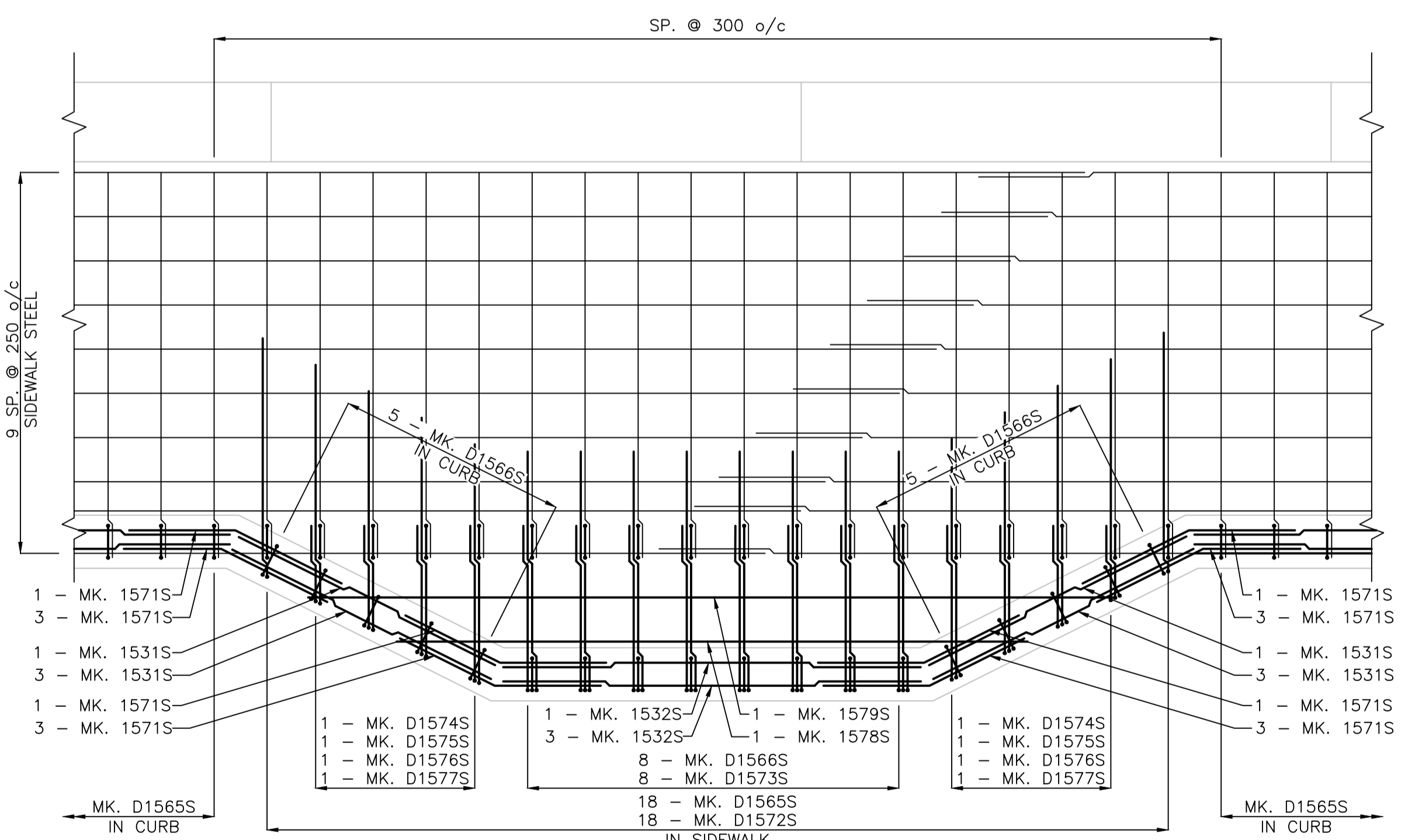


**SOUTHBOUND DECK PLAN**



**NORTHBOUND DECK PLAN**



**1 - 1** **DETAIL**  
1:25

V:\1137\active\11371590\drawing\402\_design\sheet\_files\2011-11-12\_tender\_issue\31590s-605-767.dwg  
 Date: 2011 Dec 20 4:07pm Login: Beermorts, James

**APEGM**  
 Certificate of Authorization  
 Stantec Consulting Ltd.  
 No. 1301 Date: \_\_\_\_\_

**METRIC**  
 WHOLE NUMBERS INDICATE MILLIMETRES  
 DECIMALIZED NUMBERS INDICATE METRES

**LOCATION APPROVED UNDERGROUND STRUCTURES**  
 SUPV. U/G STRUCTURES COMMITTEE DATE  
 NOTE:  
 LOCATION OF UNDERGROUND STRUCTURES AS SHOWN ARE BASED ON THE BEST INFORMATION AVAILABLE BUT NO GUARANTEE IS GIVEN THAT ALL EXISTING UTILITIES ARE SHOWN OR THAT THE GIVEN LOCATIONS ARE EXACT. CONFIRMATION OF EXISTENCE AND EXACT LOCATION OF ALL SERVICES MUST BE OBTAINED FROM THE INDIVIDUAL UTILITIES BEFORE PROCEEDING WITH CONSTRUCTION.

B.M. ELEV.	DATE	BY

**Stantec Consulting Ltd.**  
 905 Waverley Street, Winnipeg, Manitoba  
 Tel 204-489-5900 Fax 204-453-9012

DESIGNED BY <b>K.S.A.</b>	CHECKED BY <b>K.S.A.</b>
DRAWN BY <b>J.M.B.</b>	APPROVED BY <b>B.J.W.</b>
HOR. SCALE: 1:75 VERTICAL: U.N.O.	
RELEASSED FOR CONSTRUCTION:	DATE _____

ENGINEER'S SEAL  
 CONSULTANT DRAWING NO.  
**S-606**

**THE CITY OF WINNIPEG**  
 PUBLIC WORKS DEPARTMENT  
 ENGINEERING DIVISION

**STURGEON ROAD**  
 BRIDGE REPLACEMENT  
 PORTAGE AVENUE TO HALLONQUIST DRIVE  
 REINFORCING PLANS  
 SIDEWALK

SHEET	OF
<b>44</b>	<b>82</b>
CAD FILE DRAWING NUMBER 31590s-605-767.dwg	
CITY DRAWING NUMBER <b>B120-12-044</b>	