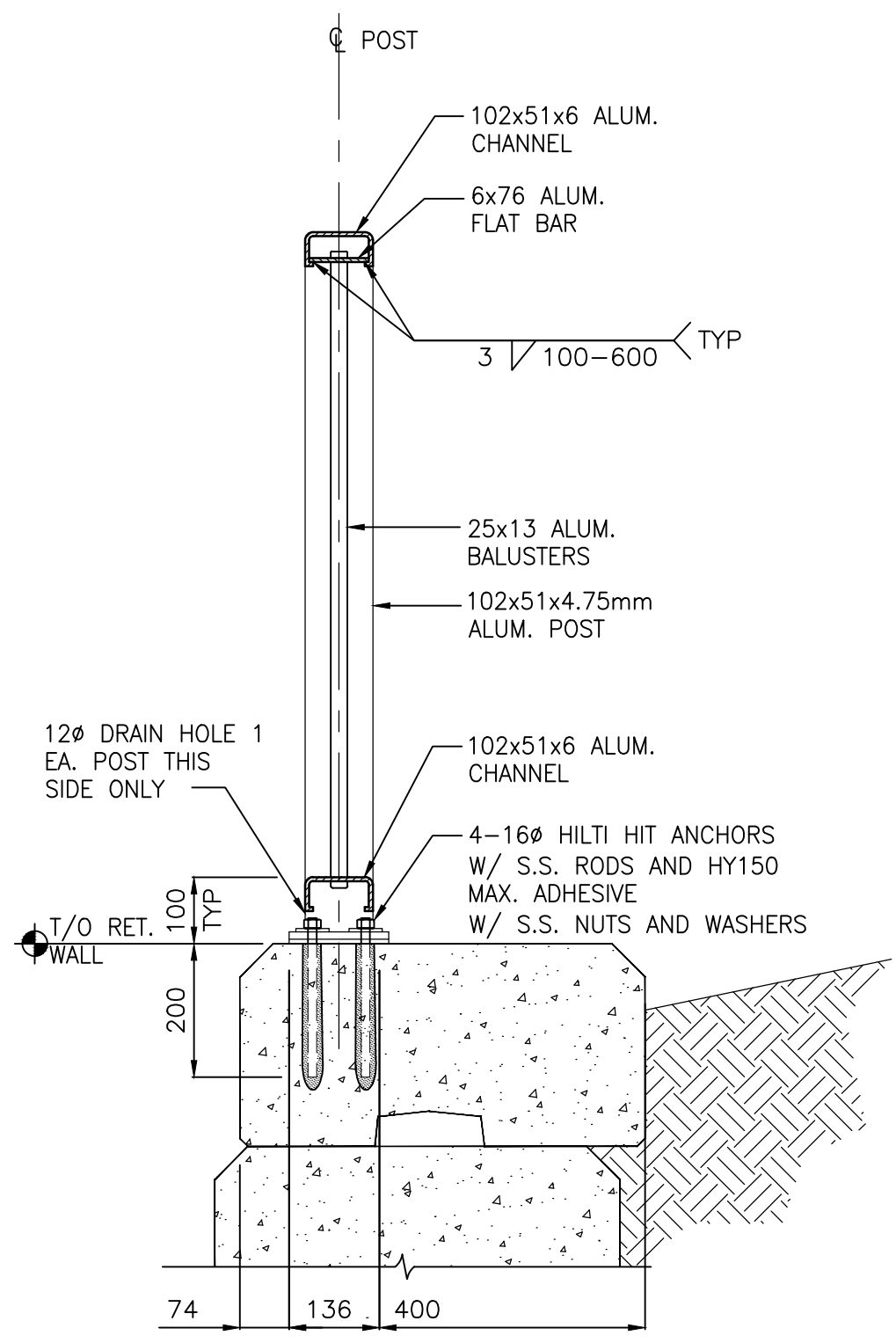
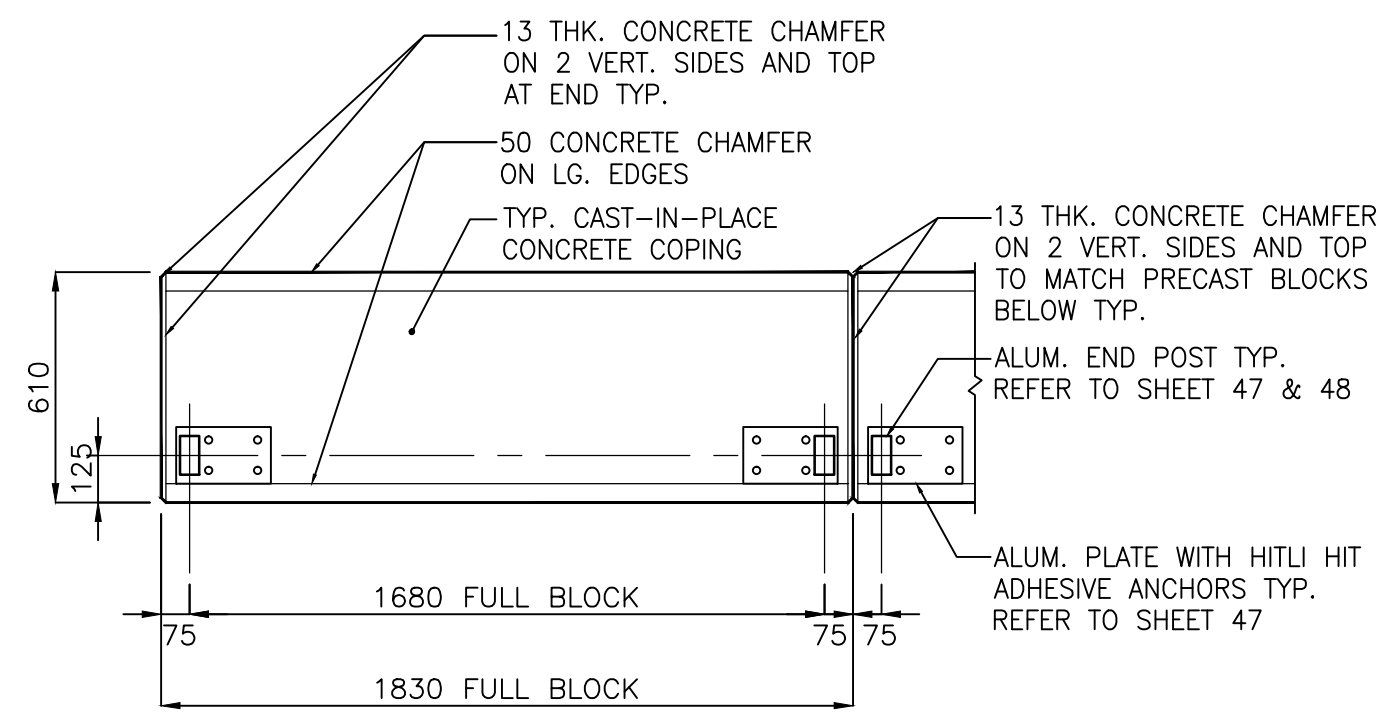


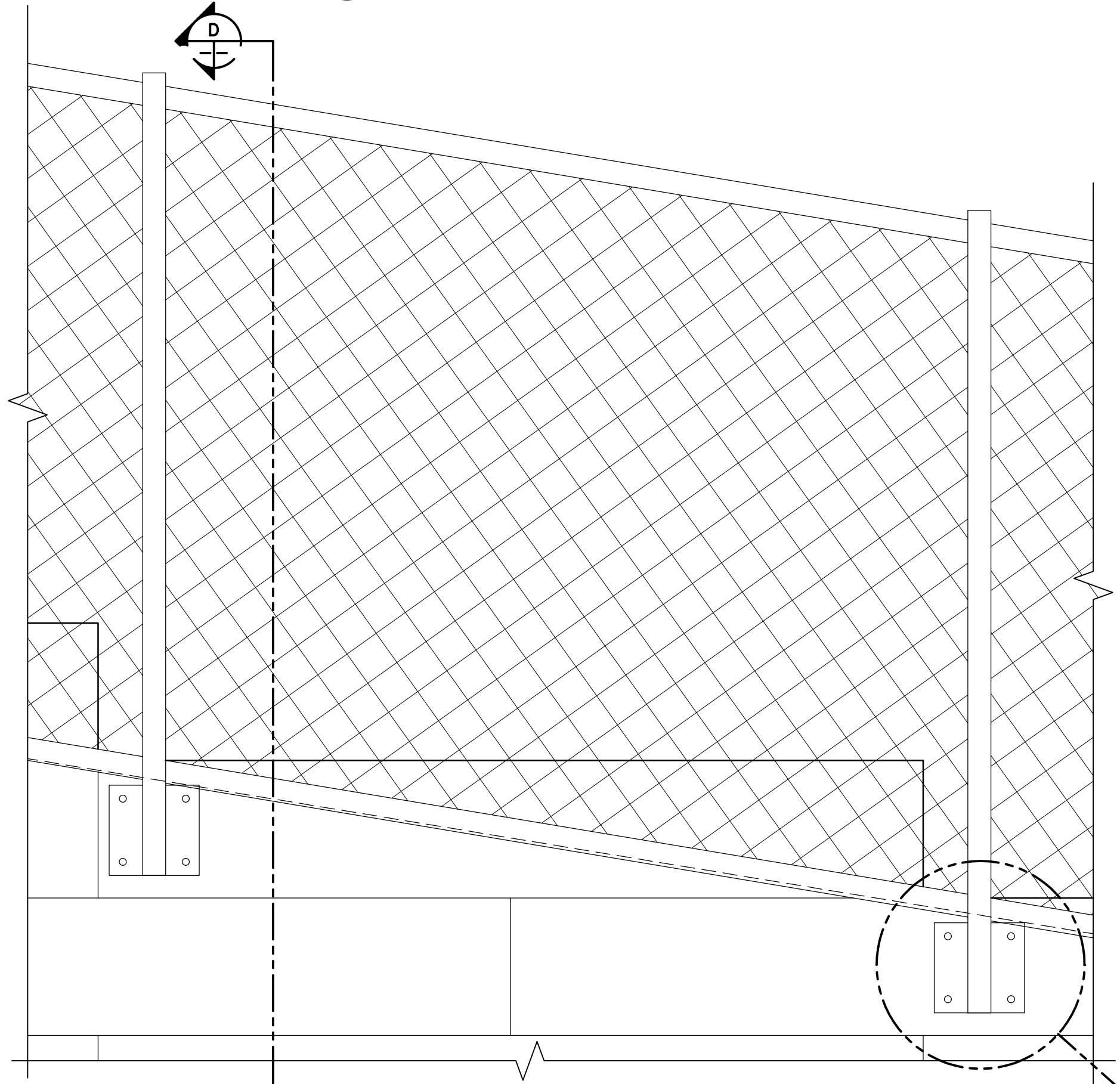
**A** RETAINING WALL RAILING ELEVATION - PANEL 'H'  
1:10



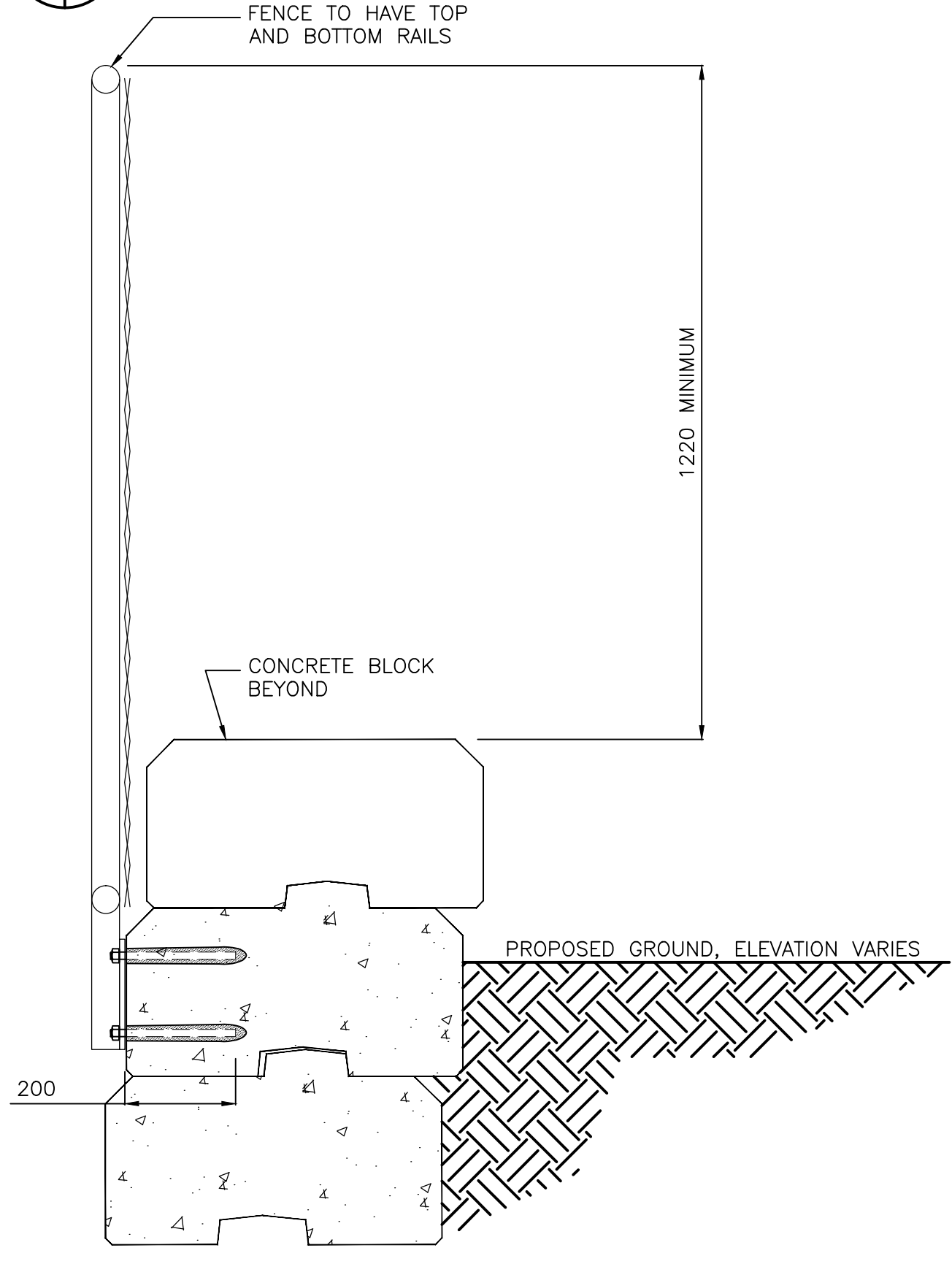
**B** TYPICAL RAILING SECTION  
1:10



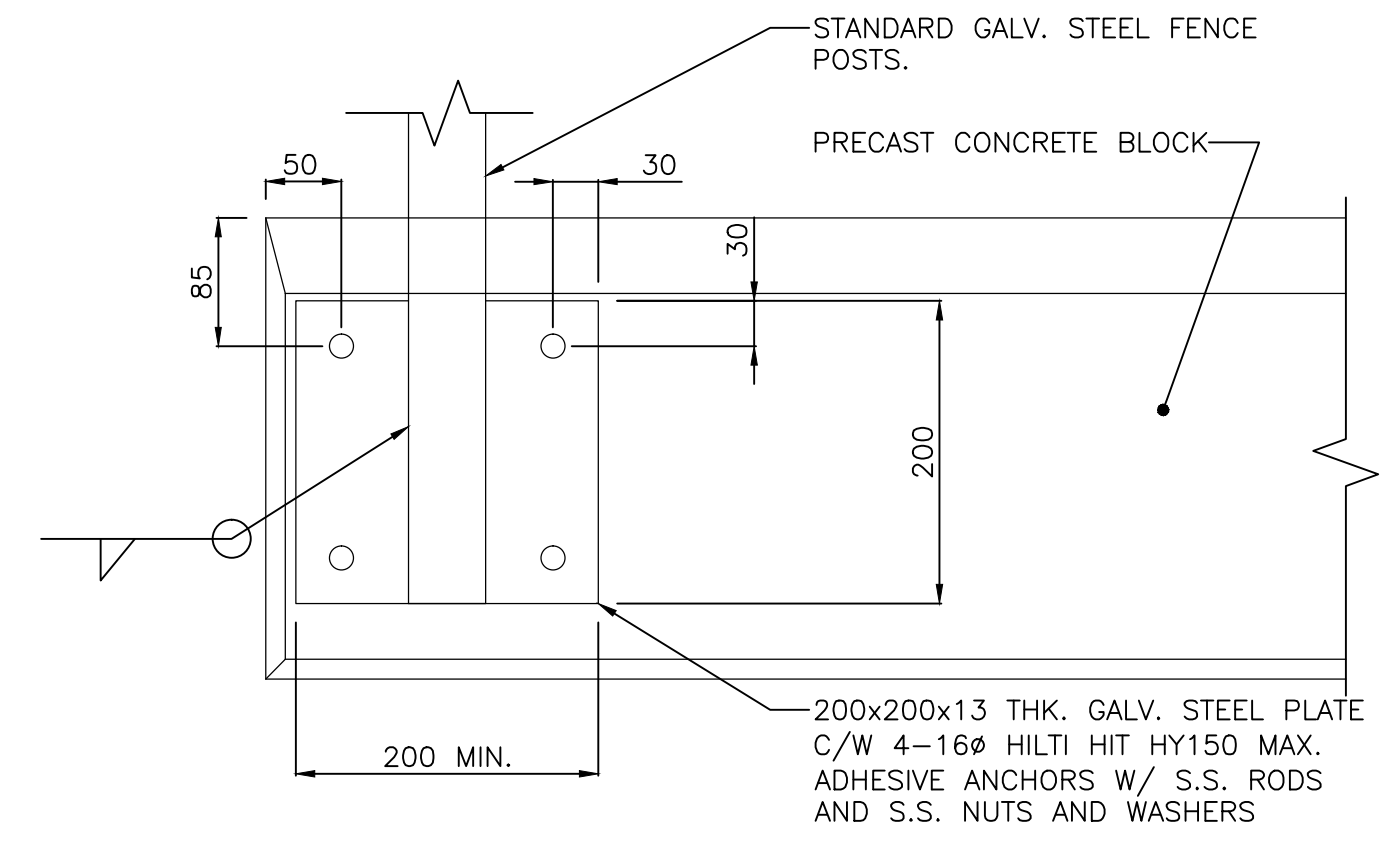
RAILING DETAIL @ RETAINING WALL COPING  
1:20



**C** RETAINING WALL RAILING ELEVATION - PANEL 'H'  
1:10



**D** RETAINING WALL FENCING ANCHOR DETAIL  
1:10



**E** RETAINING WALL TYPICAL FENCING ANCHOR DETAIL  
1:10

V:\1137\active\1137\1590\drawing\402\_design\sheet\_files\2011-11-12\_tender\_issue\31590s-703-767.dwg  
 Date: 2011 Dec 20 4:14pm Login: Beermorts, James

**APEGM**  
 Certificate of Authorization  
 Stantec Consulting Ltd.  
 No. 1301 Date: \_\_\_\_\_

**METRIC**  
 WHOLE NUMBERS INDICATE MILLIMETRES  
 DECIMALIZED NUMBERS INDICATE METRES

LOCATION APPROVED UNDERGROUND STRUCTURES		B.M. ELEV.
SUPV. U/G STRUCTURES COMMITTEE	DATE	
NOTE: LOCATION OF UNDERGROUND STRUCTURES AS SHOWN ARE BASED ON THE BEST INFORMATION AVAILABLE BUT NO GUARANTEE IS GIVEN THAT ALL EXISTING UTILITIES ARE SHOWN OR THAT THE GIVEN LOCATIONS ARE EXACT. CONFIRMATION OF EXISTENCE AND EXACT LOCATION OF ALL SERVICES MUST BE OBTAINED FROM THE INDIVIDUAL UTILITIES BEFORE PROCEEDING WITH CONSTRUCTION.		
NO.	ISSUED FOR TENDER	11.12.15 K.S.A.
NO.	REVISIONS	DATE BY

DESIGNED BY	K.S.A.	CHECKED BY	K.S.A.
DRAWN BY	V.J.F.	APPROVED BY	B.J.W.
HOR. SCALE: AS SHOWN		RELEASED FOR CONSTRUCTION:	
VERTICAL:		DATE	
DATE DEC. 15, 2011		DATE	

**Stantec Consulting Ltd.**  
 100-1355 Taylor Ave., Winnipeg, Manitoba  
 Tel 204-928-8840 Fax 204-284-4795

DESIGNED BY: K.S.A.  
 CHECKED BY: K.S.A.  
 DRAWN BY: V.J.F.  
 APPROVED BY: B.J.W.  
 HOR. SCALE: AS SHOWN  
 VERTICAL: \_\_\_\_\_  
 RELEASED FOR CONSTRUCTION: \_\_\_\_\_  
 DATE: DEC. 15, 2011

ENGINEER'S SEAL  
 CONSULTANT DRAWING NO.  
**S-705**

**THE CITY OF WINNIPEG**  
 PUBLIC WORKS DEPARTMENT  
 ENGINEERING DIVISION

**STURGEON ROAD**  
 BRIDGE REPLACEMENT  
 PORTAGE AVENUE TO HALLONQUIST DRIVE  
 RAILING AT RETAINING WALL  
 BRIDGE RAILING PANELS

SHEET **52** OF **82**  
 CAD FILE DRAWING NUMBER  
 31590s-703-767.dwg  
 CITY DRAWING NUMBER  
**B120-12-052**