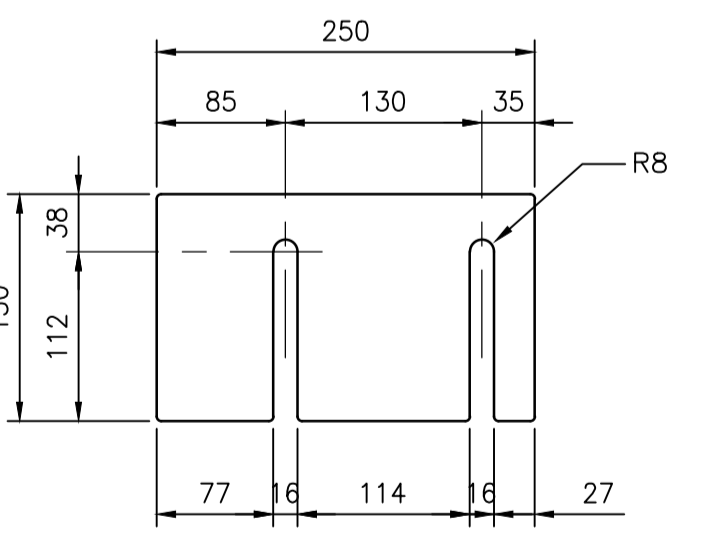


TYPICAL - END POST MK 'EP 1'
1:2

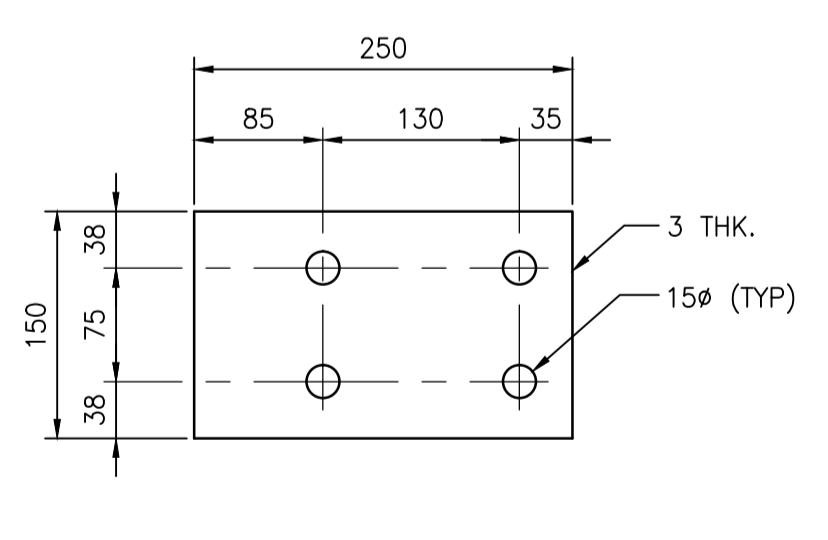
TYPICAL - INTERMEDIATE POST
1:2

SECTION THRU HANDRAIL

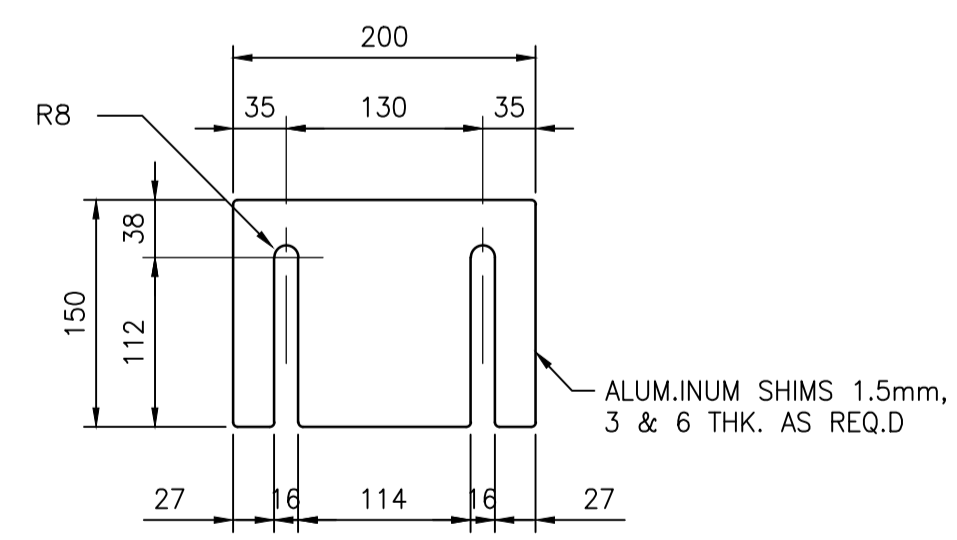
SECTION THRU POST



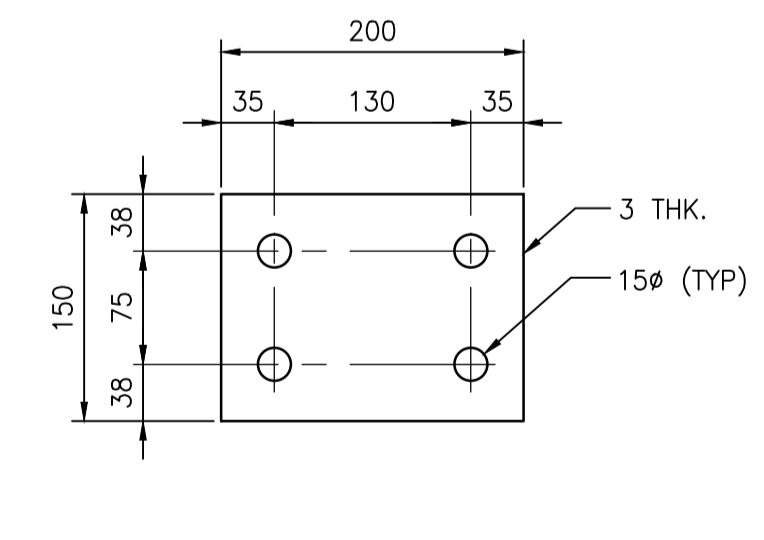
END POST SHIM DETAIL
1:2



END POST NEOPRENE PAD DETAIL
1:2



INTERMEDIATE POST SHIM DETAIL
1:2



INTERMEDIATE POST NEOPRENE PAD DETAIL
1:2

V:\137\active\1372\1590\drawing\402_design\sheet_files\2011-11-12_tender_issue\31590s-706-767.dwg Date: 2011 Dec 20 4:15pm Login: Breenoerts, James



METRIC
WHOLE NUMBERS INDICATE MILLIMETRES
DECIMALIZED NUMBERS INDICATE METRES

LOCATION APPROVED UNDERGROUND STRUCTURES

SUPV. U/G STRUCTURES COMMITTEE DATE

NOTE:
LOCATION OF UNDERGROUND STRUCTURES AS SHOWN ARE BASED ON THE BEST INFORMATION AVAILABLE BUT NO GUARANTEE IS GIVEN THAT ALL EXISTING UTILITIES ARE SHOWN OR THAT THE GIVEN LOCATIONS ARE EXACT. CONFIRMATION OF EXISTENCE AND EXACT LOCATION OF ALL SERVICES MUST BE OBTAINED FROM THE INDIVIDUAL UTILITIES BEFORE PROCEEDING WITH CONSTRUCTION.

B.M. ELEV.					
ISSUED FOR TENDER	11.12.15	K.S.A.			
NO. REVISIONS		DATE	BY	DATE	DEC. 15, 2011

Stantec Consulting Ltd.
905 Waverley Street, Winnipeg, Manitoba
Tel 204-489-5900 Fax 204-453-9012

DESIGNED BY	K.S.A.	CHECKED BY	K.S.A.
DRAWN BY	V.J.F.	APPROVED BY	B.J.W.
HOR. SCALE:	1:2	RELEASED FOR CONSTRUCTION:	
VERTICAL:		DATE	

ENGINEER'S SEAL

CONSULTANT DRAWING NO. S-706

THE CITY OF WINNIPEG
PUBLIC WORKS DEPARTMENT
ENGINEERING DIVISION

STURGEON ROAD
BRIDGE REPLACEMENT
PORTAGE AVENUE TO HALLONQUIST DRIVE
BRIDGE PEDESTRIAN GUARDRAIL DETAILS

SHEET **53** OF **82**
CAD FILE DRAWING NUMBER 31590s-706-767.dwg
CITY DRAWING NUMBER **B120-12-053**