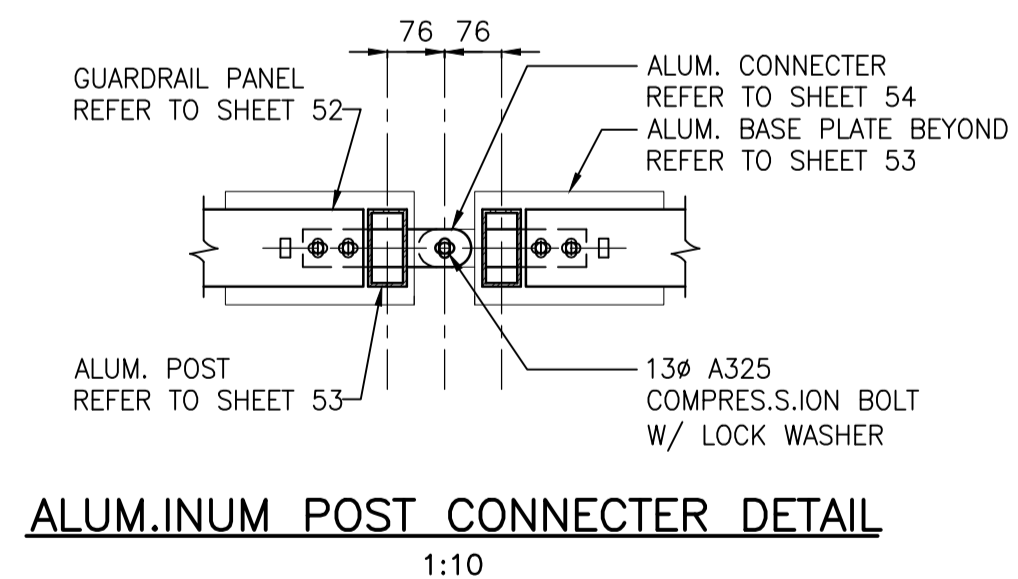
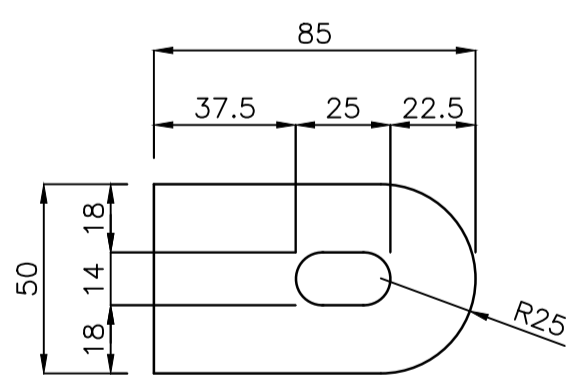


RETAINING WALL – END POST MK 'EP 2'  
1:2 (3 REQUIRED)

RETAINING WALL – END POST MK 'EP 3'  
1:2 (3 REQUIRED)



ALUM. INUM POST CONNECTER DETAIL  
1:10




TYPICAL ALUM. INUM POST CONNECTER  
1:2

V:\1137\1590\drawing\402\_design\sheet\_files\2011-11-12\_tender\_issue\31590s-706-767.dwg  
 Date: 2011 Dec 20 4:16pm Login: Beerncoerts, James


  
 Certificate of Authorization  
 Stantec Consulting Ltd.  
 No. 1301 Date: \_\_\_\_\_  
**METRIC**  
 WHOLE NUMBERS INDICATE MILLIMETRES  
 DECIMALIZED NUMBERS INDICATE METRES

LOCATION APPROVED UNDERGROUND STRUCTURES		B.M. ELEV.
SUPV. U/G STRUCTURES COMMITTEE	DATE	
NOTE: LOCATION OF UNDERGROUND STRUCTURES AS SHOWN ARE BASED ON THE BEST INFORMATION AVAILABLE BUT NO GUARANTEE IS GIVEN THAT ALL EXISTING UTILITIES ARE SHOWN OR THAT THE GIVEN LOCATIONS ARE EXACT. CONFIRMATION OF EXISTENCE AND EXACT LOCATION OF ALL SERVICES MUST BE OBTAINED FROM THE INDIVIDUAL UTILITIES BEFORE PROCEEDING WITH CONSTRUCTION.		
NO.	REVISIONS	DATE BY


**Stantec Consulting Ltd.**  
 905 Waverley Street, Winnipeg, Manitoba  
 Tel 204-489-5900 Fax 204-453-9012

DESIGNED BY	K.S.A.	CHECKED BY	K.S.A.
DRAWN BY	V.J.F.	APPROVED BY	B.J.W.
HOR. SCALE: 1:2		RELEASED FOR CONSTRUCTION:	
DATE DEC. 15, 2011		DATE	

ENGINEER'S SEAL  
 CONSULTANT DRAWING NO.  
**S-707**


**THE CITY OF WINNIPEG**  
 PUBLIC WORKS DEPARTMENT  
 ENGINEERING DIVISION

**STURGEON ROAD**  
 BRIDGE REPLACEMENT  
 PORTAGE AVENUE TO HALLONQUIST DRIVE  
 RETAINING WALL FENCE DETAILS

SHEET	OF
54	82
CAD FILE DRAWING NUMBER	
31590s-706-767.dwg	
CITY DRAWING NUMBER	
B120-12-054	