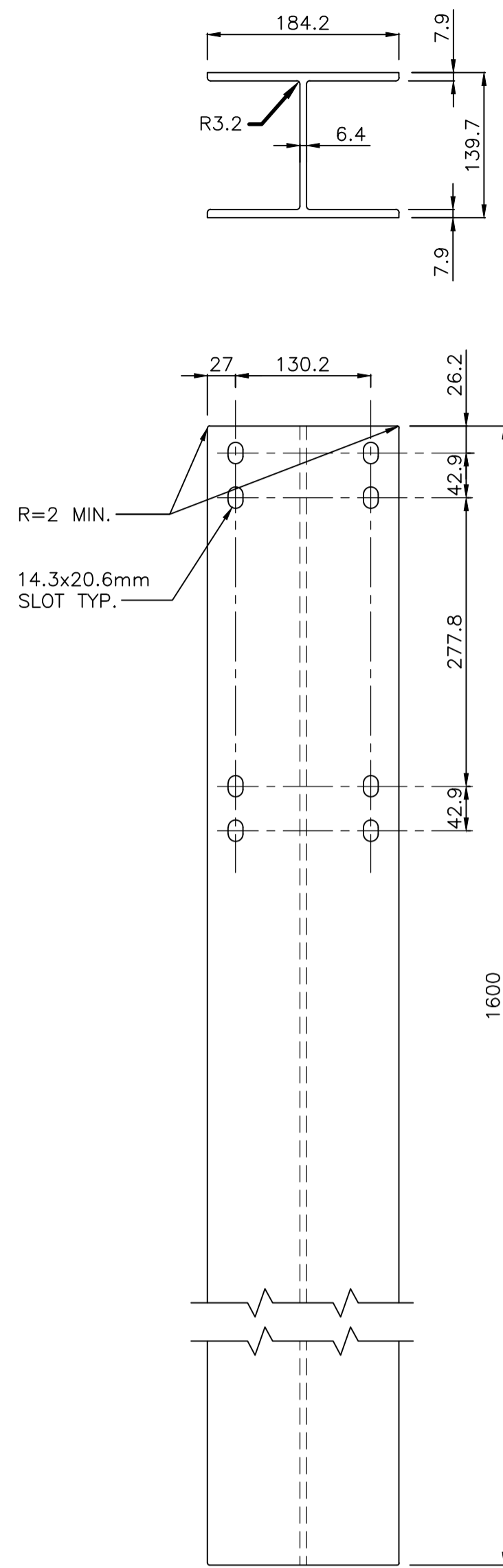
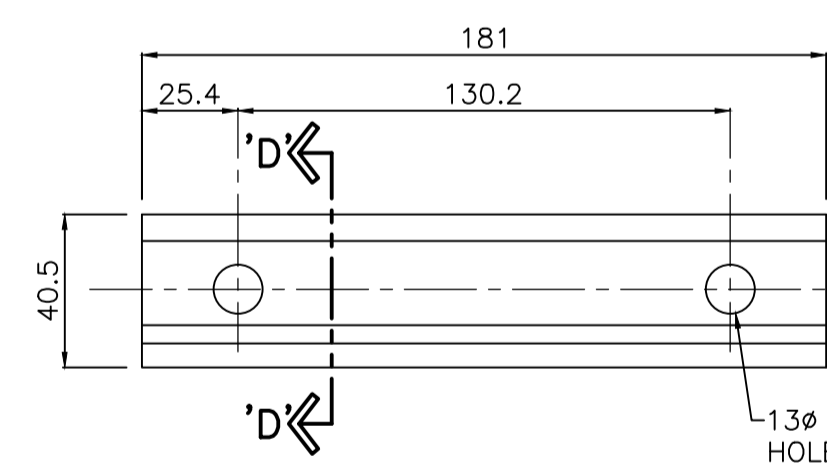


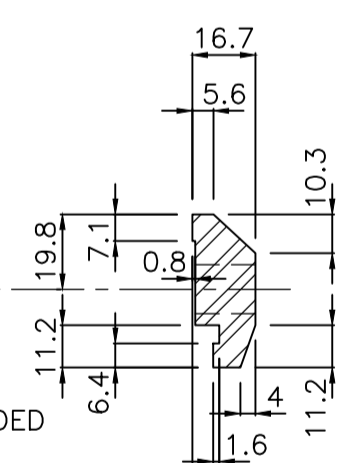
RAIL TO POST ASSEMBLY DETAIL
1:5



1600mm POST DETAIL
1:5



RAIL CLAMP BAR DETAIL
1:2



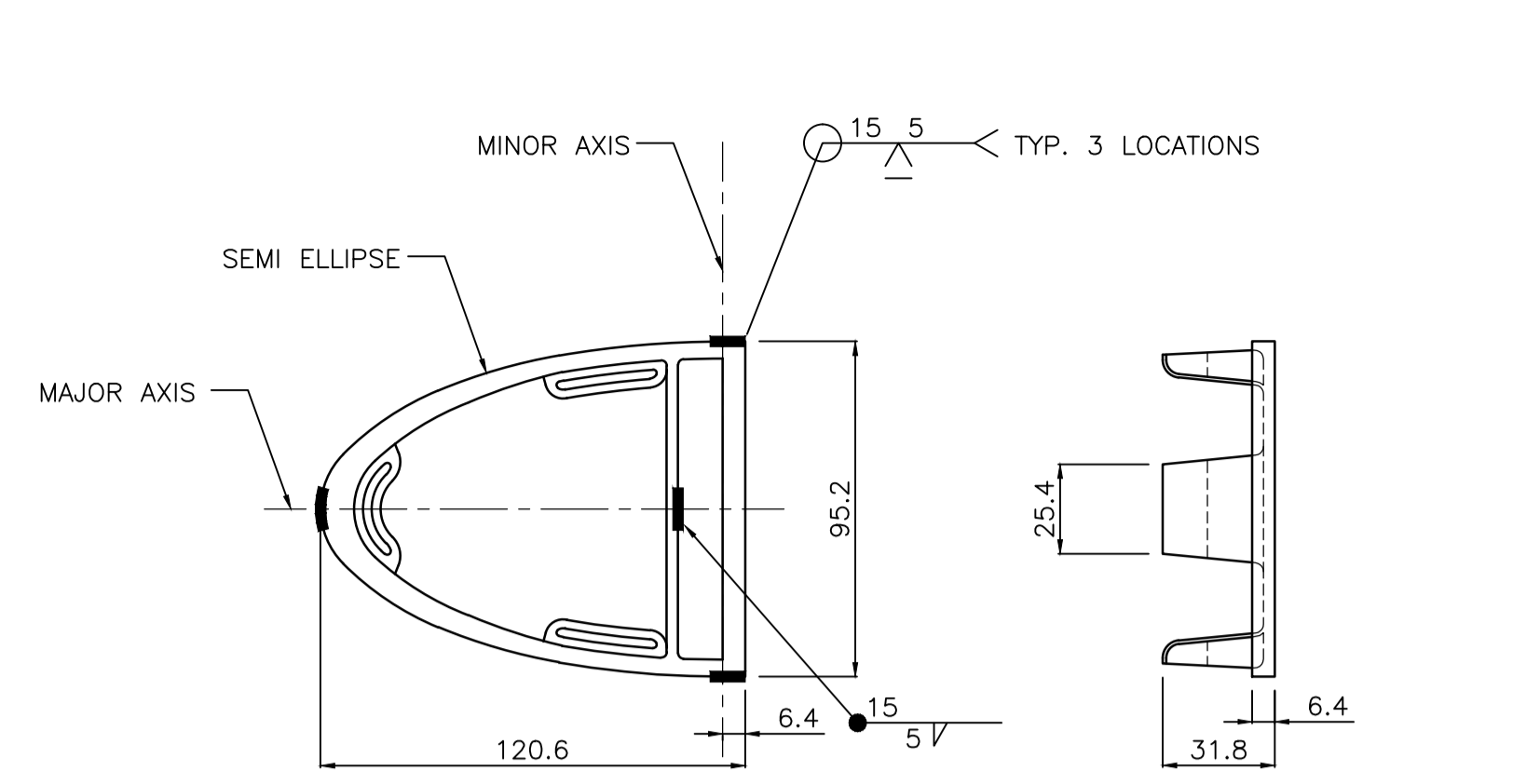
SECTION D-D
1:2

MATERIAL SPECIFICATIONS:

1. ALUM. RAILS, POSTS, SPLICE BARS, CLAMP BARS, AND END CAPS SHALL CONFORM TO ASTM B221, ALLOY 6061-T6, OR ALLOY 6351-T6.
2. S.S. WASHERS SHALL CONFORM TO ASTM A296.
3. CAP SCREWS SHALL CONFORM TO ASTM A276, TYPE 430 S.S..
4. NOTE THAT ALL FASTENERS ARE SPECIFIED IN IMPERIAL UNITS.
5. ANTI-SEIZE COATING TO BE APPLIED TO ALL THREADED COMPONENTS WHEN BEING ASSEMBLED ie: LPS-3-MANUFACTURED BY HOLT LLOYD (CANADA) LTD. MARKHAM, ONTARIO L3R 2Z3.

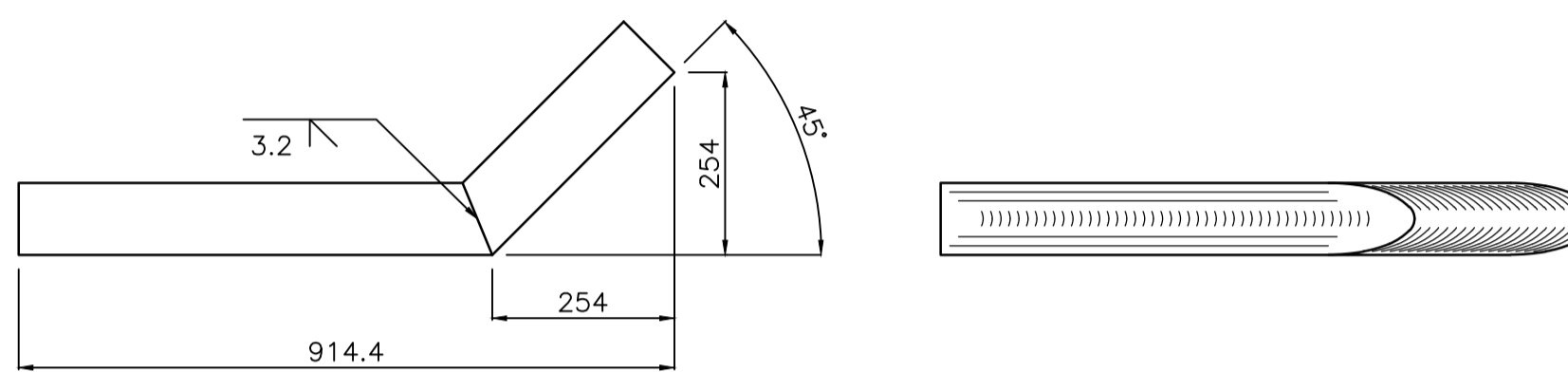


METRIC
WHOLE NUMBERS INDICATE MILLIMETRES
DECIMALIZED NUMBERS INDICATE METRES



END CAP DETAIL
1:2

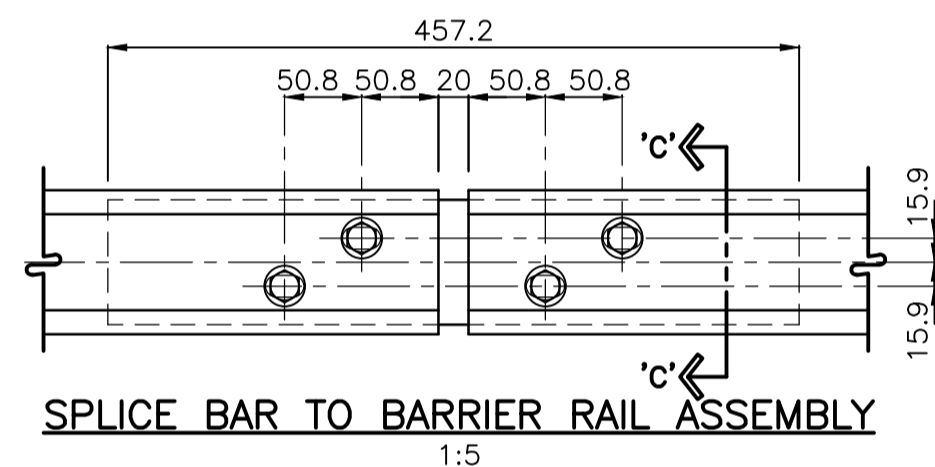
END CAP SIDE ELEVATION
1:2



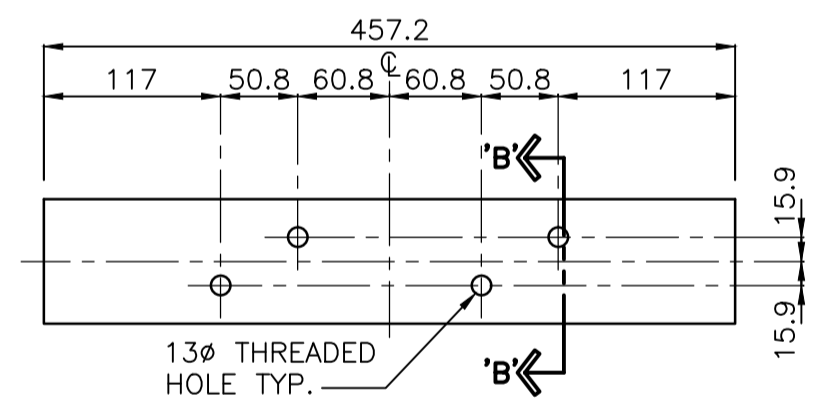
PLAN

FRONT ELEVATION

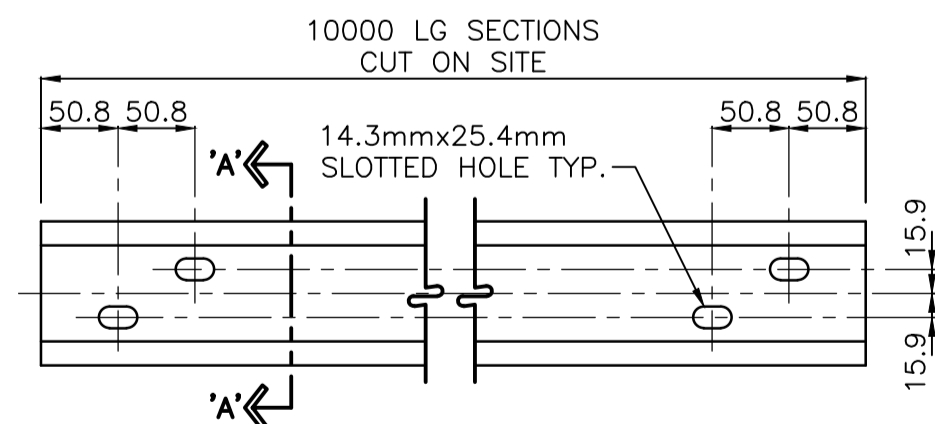
TERMINAL END
(FABRICATED FROM BARRIER DETAIL)
1:10



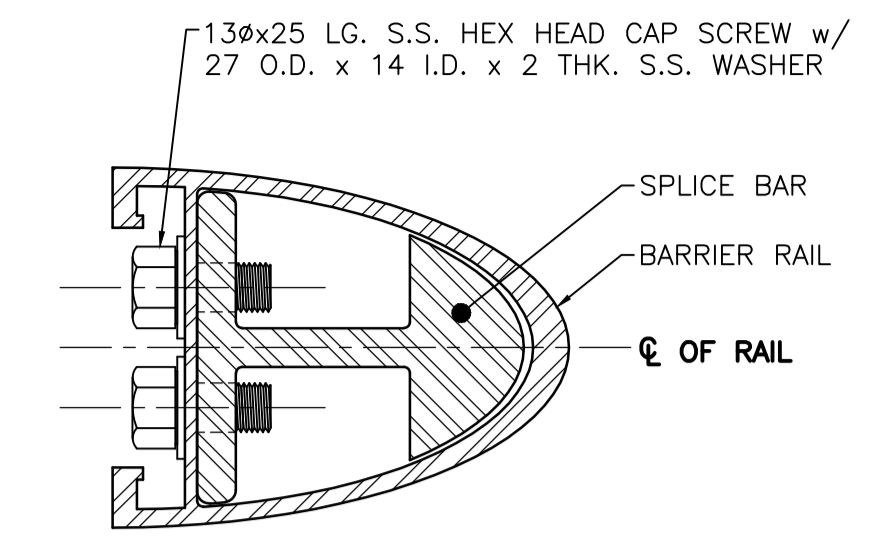
SPLICE BAR TO BARRIER RAIL ASSEMBLY
1:5



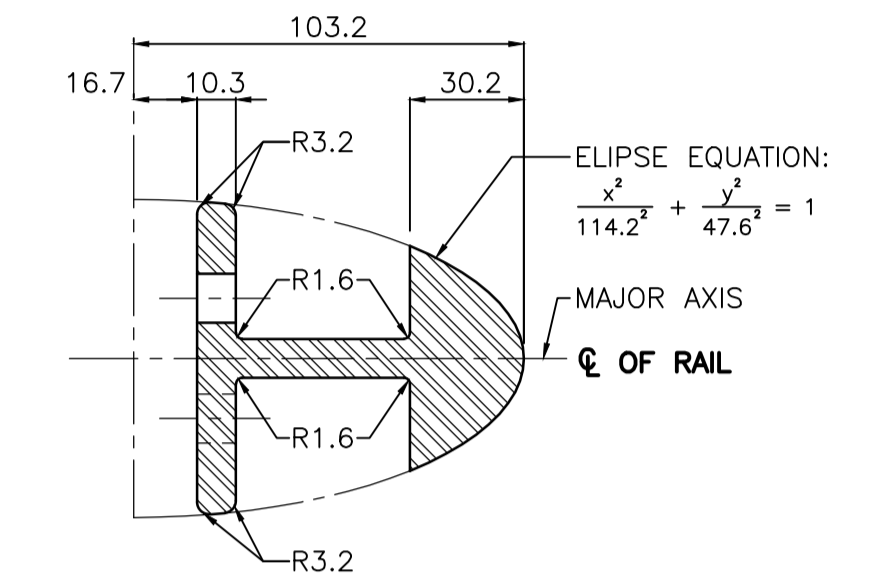
SPLICE BAR DETAIL
1:5



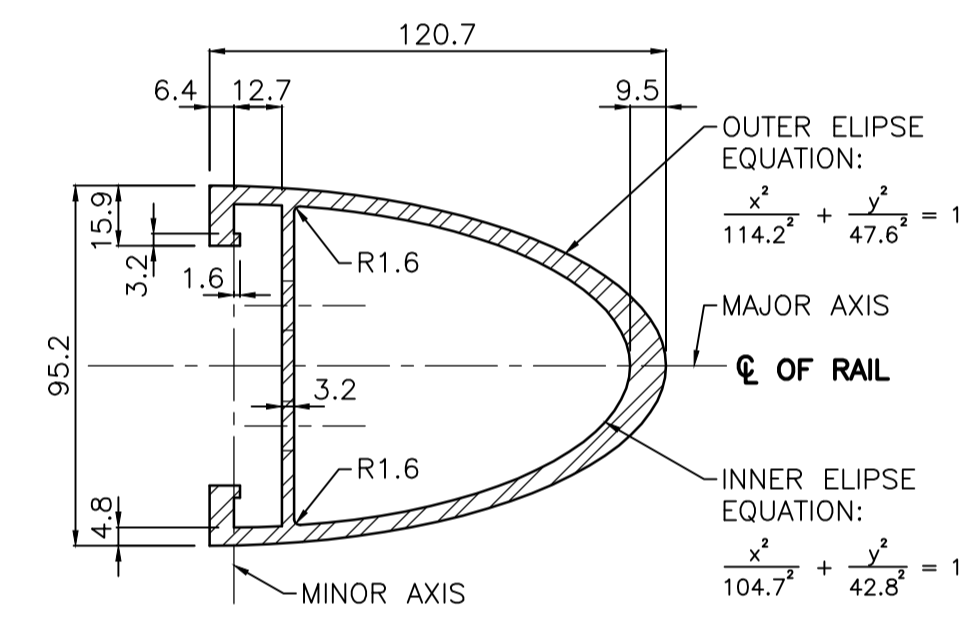
BARRIER RAIL DETAIL
1:5



SECTION C-C
1:2



SECTION B-B
1:2



SECTION A-A
1:2

LOCATION APPROVED
UNDERGROUND STRUCTURES

SUPV. U/G STRUCTURES COMMITTEE DATE

NOTE:
LOCATION OF UNDERGROUND STRUCTURES AS SHOWN ARE BASED ON THE BEST INFORMATION AVAILABLE BUT NO GUARANTEE IS GIVEN THAT ALL EXISTING UTILITIES ARE SHOWN OR THAT THE GIVEN LOCATIONS ARE EXACT. CONFIRMATION OF EXISTENCE AND EXACT LOCATION OF ALL SERVICES MUST BE OBTAINED FROM THE INDIVIDUAL UTILITIES BEFORE PROCEEDING WITH CONSTRUCTION.

| NO. | REVISIONS | DATE | BY |
|-----|-------------------|----------|--------|
| 0 | ISSUED FOR TENDER | 11.12.15 | K.S.A. |

| | |
|--|---------------|
| Stantec Consulting Ltd. | |
| 905 Waverley Street, Winnipeg, Manitoba Tel 204-489-5900 Fax 204-453-9012 | |
| DESIGNED BY | K.S.A. |
| CHECKED BY | K.S.A. |
| DRAWN BY | V.J.F. |
| APPROVED BY | B.J.W. |
| HOR. SCALE: | AS SHOWN |
| RELEASED FOR CONSTRUCTION: | |
| DATE | DEC. 15, 2011 |

| |
|------------------------|
| ENGINEER'S SEAL |
| CONSULTANT DRAWING NO. |
| S-709 |

THE CITY OF WINNIPEG
PUBLIC WORKS DEPARTMENT
ENGINEERING DIVISION

STURGEON ROAD
BRIDGE REPLACEMENT
PORTAGE AVENUE TO HALLONQUIST DRIVE
ROADWAY ALUMINUM GUARDRAIL
SECTIONS & DETAILS

SHEET **56** OF **82**
CAD FILE DRAWING NUMBER
31590s-708-767.dwg
CITY DRAWING NUMBER
B120-12-056