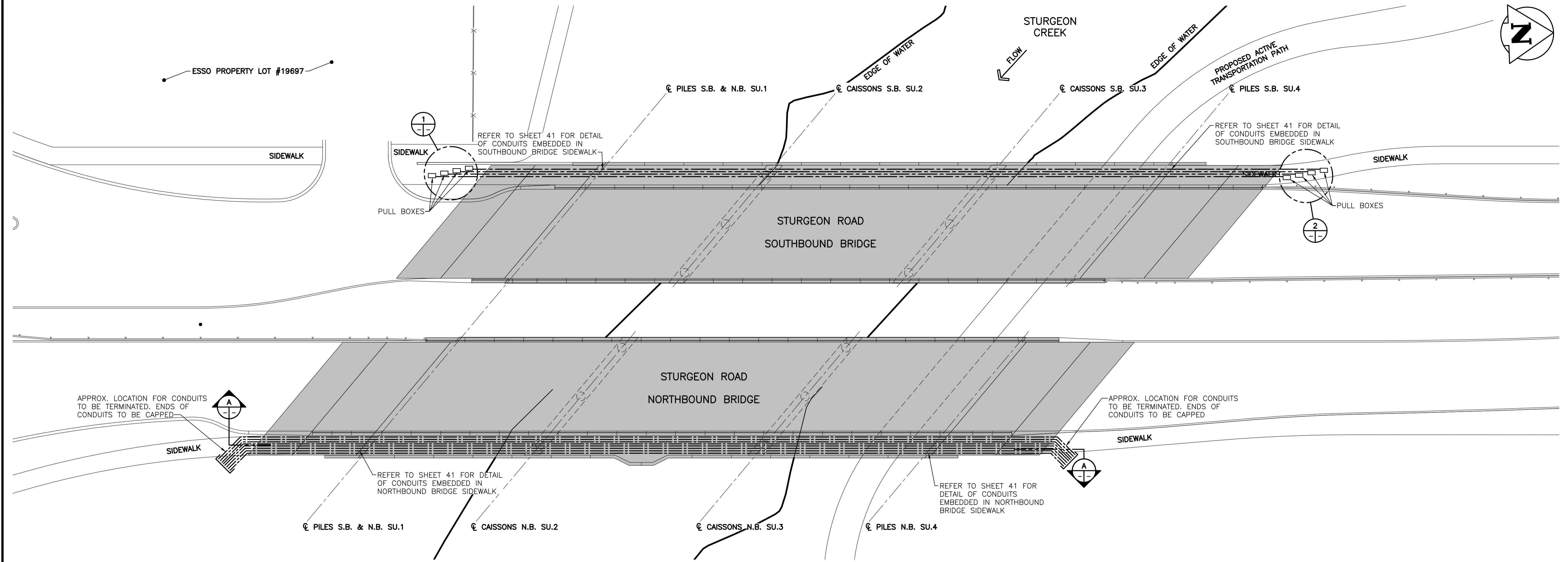
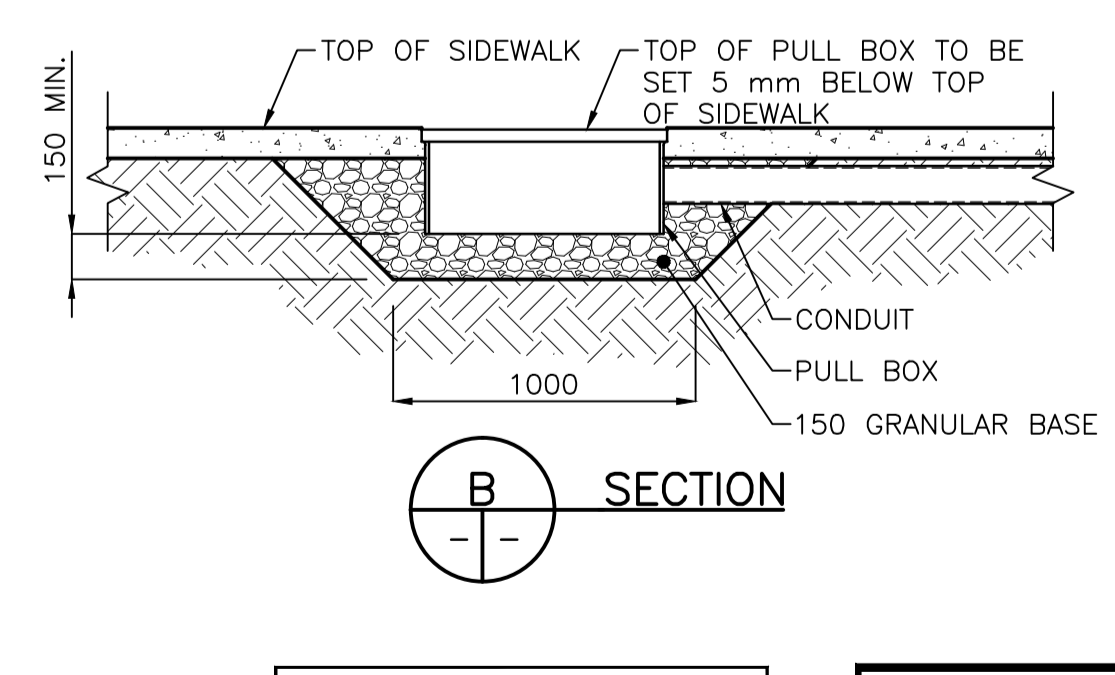
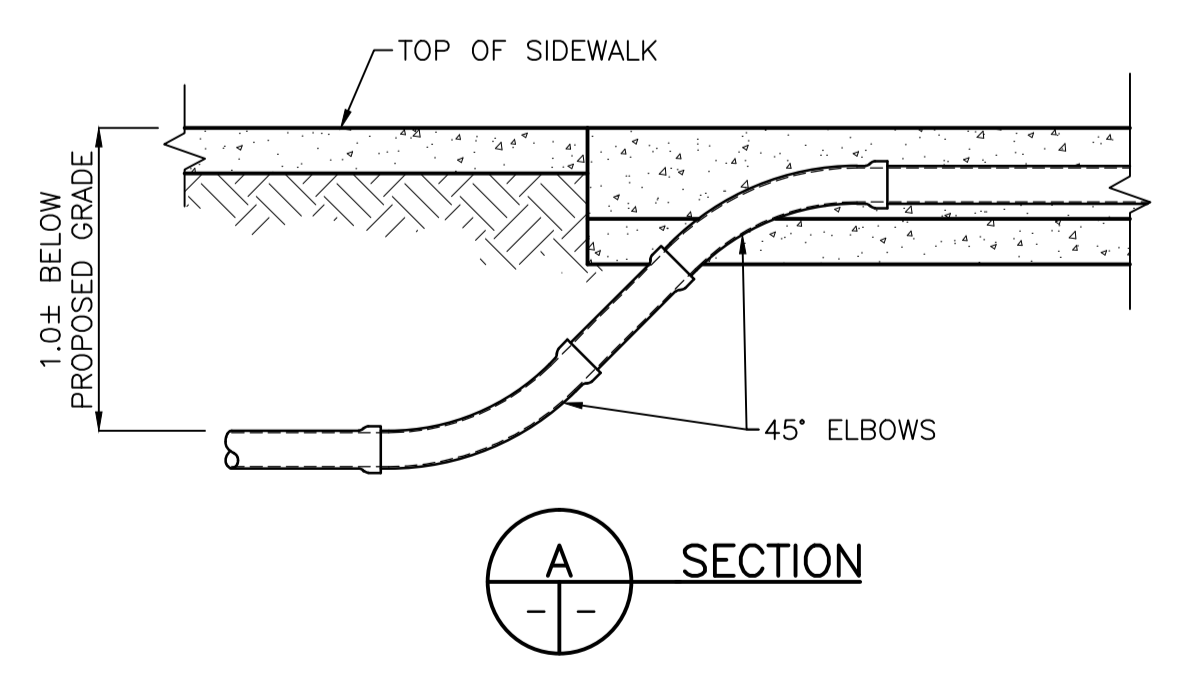
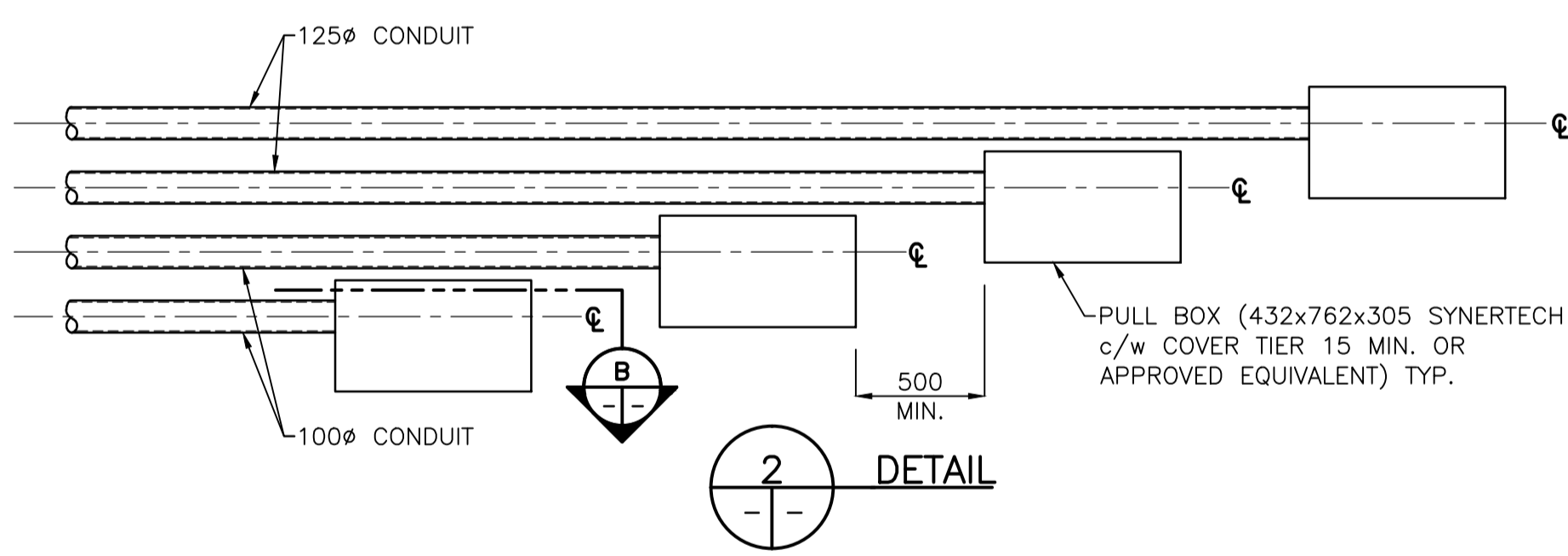
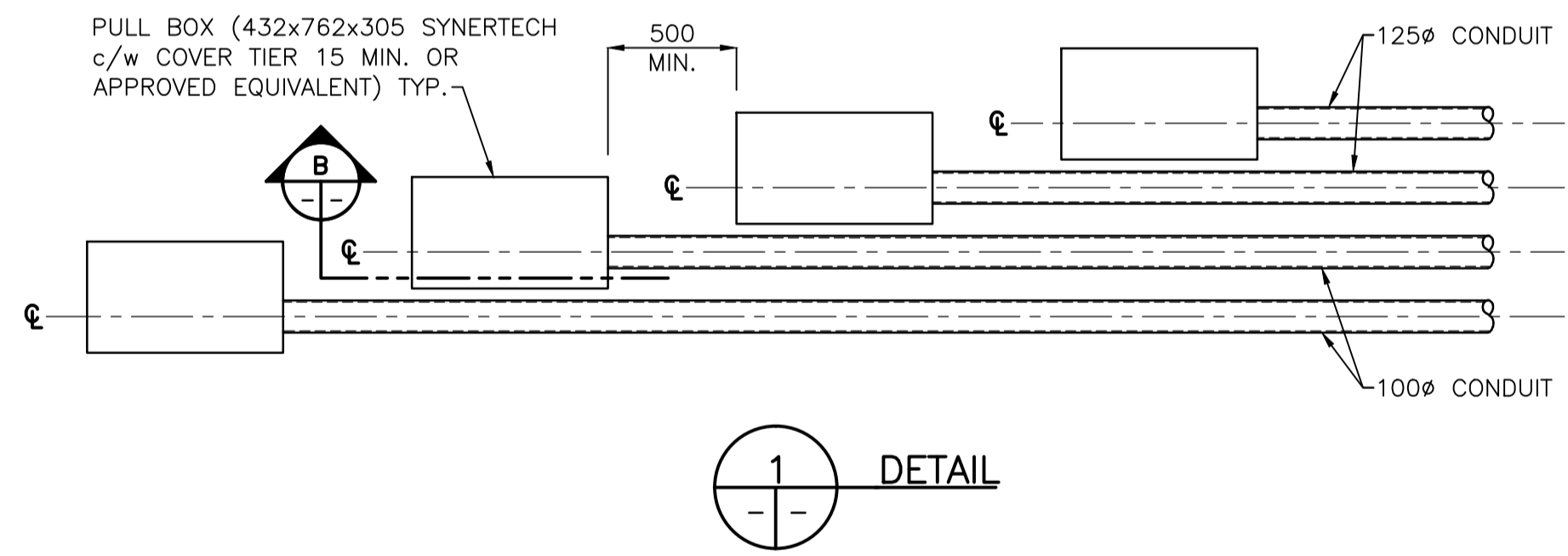


ESSO PROPERTY LOT #19697



CONDUIT PLAN 1:200



APEGM
Certificate of Authorization
Stantec Consulting Ltd.
No. 1301 Date: _____

METRIC
WHOLE NUMBERS INDICATE MILLIMETRES
DECIMALIZED NUMBERS INDICATE METRES

LOCATION APPROVED UNDERGROUND STRUCTURES

SUPV. U/G STRUCTURES COMMITTEE DATE

NOTE:
LOCATION OF UNDERGROUND STRUCTURES AS SHOWN ARE BASED ON THE BEST INFORMATION AVAILABLE BUT NO GUARANTEE IS GIVEN THAT ALL EXISTING UTILITIES ARE SHOWN OR THAT THE GIVEN LOCATIONS ARE EXACT. CONFIRMATION OF EXISTENCE AND EXACT LOCATION OF ALL SERVICES MUST BE OBTAINED FROM THE INDIVIDUAL UTILITIES BEFORE PROCEEDING WITH CONSTRUCTION.

B.M. ELEV.	NO.	REVISIONS	DATE	BY
	0	ISSUED FOR TENDER	11.12.15	K.S.A.

Stantec Consulting Ltd.
905 Waverley Street, Winnipeg, Manitoba
Tel 204-489-5900 Fax 204-453-9012

DESIGNED BY: _____
DRAWN BY: J.M.B.
HOR. SCALE: 1:25
VERTICAL: U.N.O.

CHECKED BY: K.S.A.
APPROVED BY: B.J.W.
RELEASED FOR CONSTRUCTION: _____

DATE: DEC. 15, 2011

ENGINEER'S SEAL

CONSULTANT DRAWING NO. S-901

THE CITY OF WINNIPEG
PUBLIC WORKS DEPARTMENT
ENGINEERING DIVISION

STURGEON ROAD
BRIDGE REPLACEMENT
PORTAGE AVENUE TO HALLONQUIST DRIVE
UTILITY CONDUIT PLAN & DETAILS

SHEET 61 OF 82
CAD FILE DRAWING NUMBER 31590s-901-767.dwg
CITY DRAWING NUMBER B120-12-061

V:\1137\active\1137\1590\drawing\402_design\sheet_files\2011-11-12_tender_issue\31590s-901-767.dwg
 Date: 2011 Dec 20 4:22pm Login: Beemorts, James