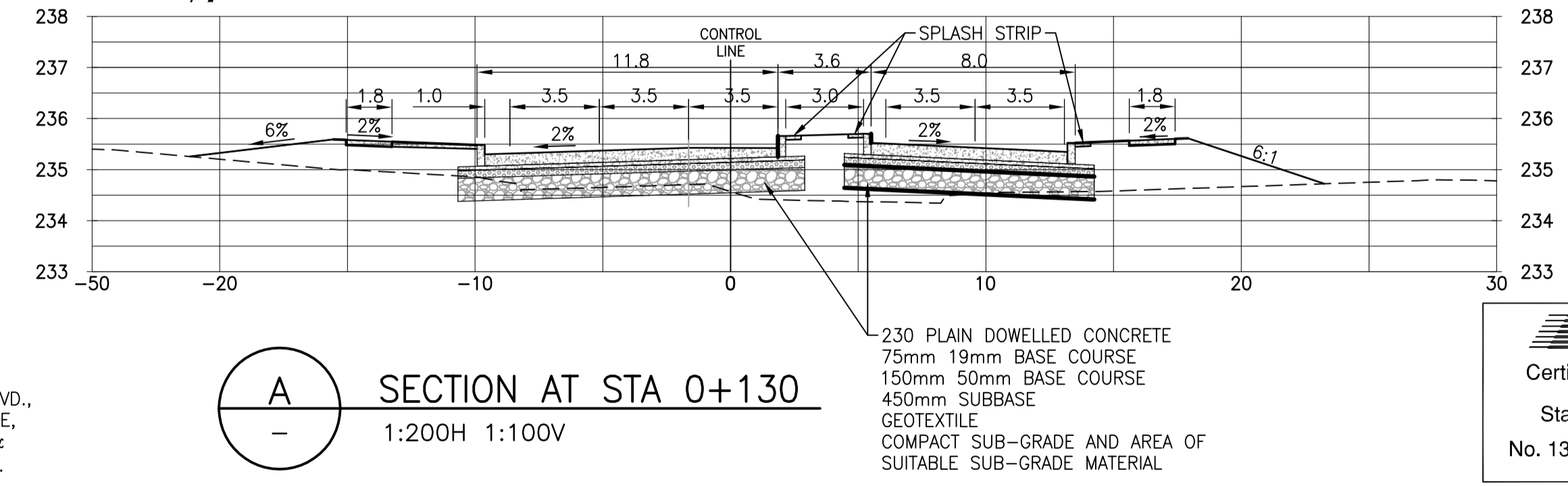


- NOTES:
- STREET LIGHTING AND WOODEN HYDRO POLES TO BE REMOVED BY HYDRO.

**WARNING**  
 IF POWER EQUIPMENT OR EXPLOSIVES ARE TO BE USED FOR EXCAVATION ON THIS PROJECT THE CONTRACTOR MUST:  
 1) NOTIFY THE GAS COMPANY OF THE PROPOSED LOCATION OF EXCAVATION.  
 2) TAKE PRECAUTION TO AVOID DAMAGE TO GAS COMPANY INSTALLATIONS.  
 SEE PROVINCIAL REGULATION 140/92 FOR DETAILS

**METRIC**  
 WHOLE NUMBERS INDICATE MILLIMETRES  
 DECIMALIZED NUMBERS INDICATE METRES



83R498 - N. SIDE PORTAGE AVE. @ HARRIS BLVD., TBLT. ON TOP OF 0.05m DIA. X 2.4m IRON PIPE, 6.5m N. OF N. CURB LINE OF PORTAGE AVE., & 2.2m E. OF C.L. CONC. PAV'T. OF HARRIS BLVD. PRODUCED FROM THE S.

150 WM	WATERMAIN	150 WM	HYDRO				
HYDRANT		HYDRANT	M.T.S.				
VALVE		VALVE	CONCRETE				
300 LDS	LAND DRAINAGE SEWER	300 LDS	ASPHALT				
250 WWS	WASTE WATER SEWER	250 WWS	SIDEWALK				
MANHOLE		MANHOLE	DECORATIVE ROCK				
CATCH BASIN		CATCH BASIN	PROPERTY LINE				
CURB INLET		CURB INLET	SURVEY BAR				
JUNCTIONS		JUNCTIONS	DITCH				
CULVERT		CULVERT (31.334)	ELEVATION				
GAS		GAS	SIDEWALK RAMP				
EXISTING	LEGEND-PLAN	PROPOSED	EXISTING	LEGEND-PLAN	PROPOSED	EXISTING	LEGEND-PLAN

**LOCATION APPROVED UNDERGROUND STRUCTURES**  
 SUPV. U/G STRUCTURES COMMITTEE DATE  
 NOTE:  
 LOCATION OF UNDERGROUND STRUCTURES AS SHOWN ARE BASED ON THE BEST INFORMATION AVAILABLE BUT NO GUARANTEE IS GIVEN THAT ALL EXISTING UTILITIES ARE SHOWN OR THAT THE GIVEN LOCATIONS ARE EXACT. CONFIRMATION OF EXISTENCE AND EXACT LOCATION OF ALL SERVICES MUST BE OBTAINED FROM THE INDIVIDUAL UTILITIES BEFORE PROCEEDING WITH CONSTRUCTION.

B.M. 39-44	ELEV. 233.848 m
0	ISSUED FOR TENDER 11.12.15 V.M.M.
NO. REVISIONS	DATE BY

**Stantec Consulting Ltd.**  
 100-1355 Taylor Ave., Winnipeg, Manitoba  
 Tel 204-928-8840 Fax 204-284-4795

DESIGNED BY: V.M.M. CHECKED BY:  
 DRAWN BY: T.G. APPROVED BY: V.M.M.  
 HOR. SCALE: 1:250 RELEASED FOR CONSTRUCTION:  
 VERTICAL: 1:10 DATE: 10.08.23

ENGINEER'S SEAL  
 CONSULTANT DRAWING NO. C-107

**THE CITY OF WINNIPEG**  
 PUBLIC WORKS DEPARTMENT  
 ENGINEERING DIVISION

**STURGEON ROAD**  
 BRIDGE REPLACEMENT  
 PORTAGE AVENUE TO HALLONQUIST DRIVE  
 STA. 0+075 TO STA. 0+160  
 HORIZONTAL ALIGNMENT

SHEET 65 OF 82  
 CAD FILE DRAWING NUMBER 31590c-107-767.dwg  
 CITY DRAWING NUMBER P-3331-03

V:\137\action\13721590\winipeg\02\_design\sheet\02\_design\transportation\31590c-101-000.dwg  
 2011 September 20, 2:28 p.m.