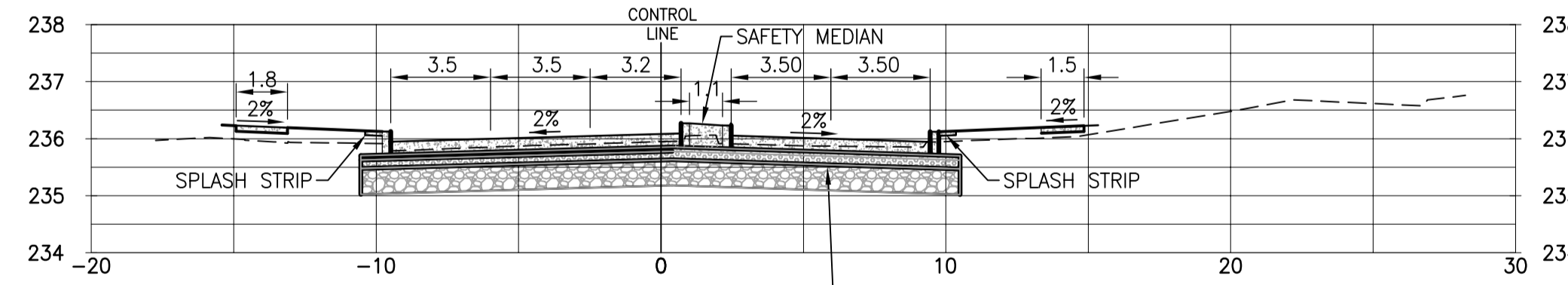
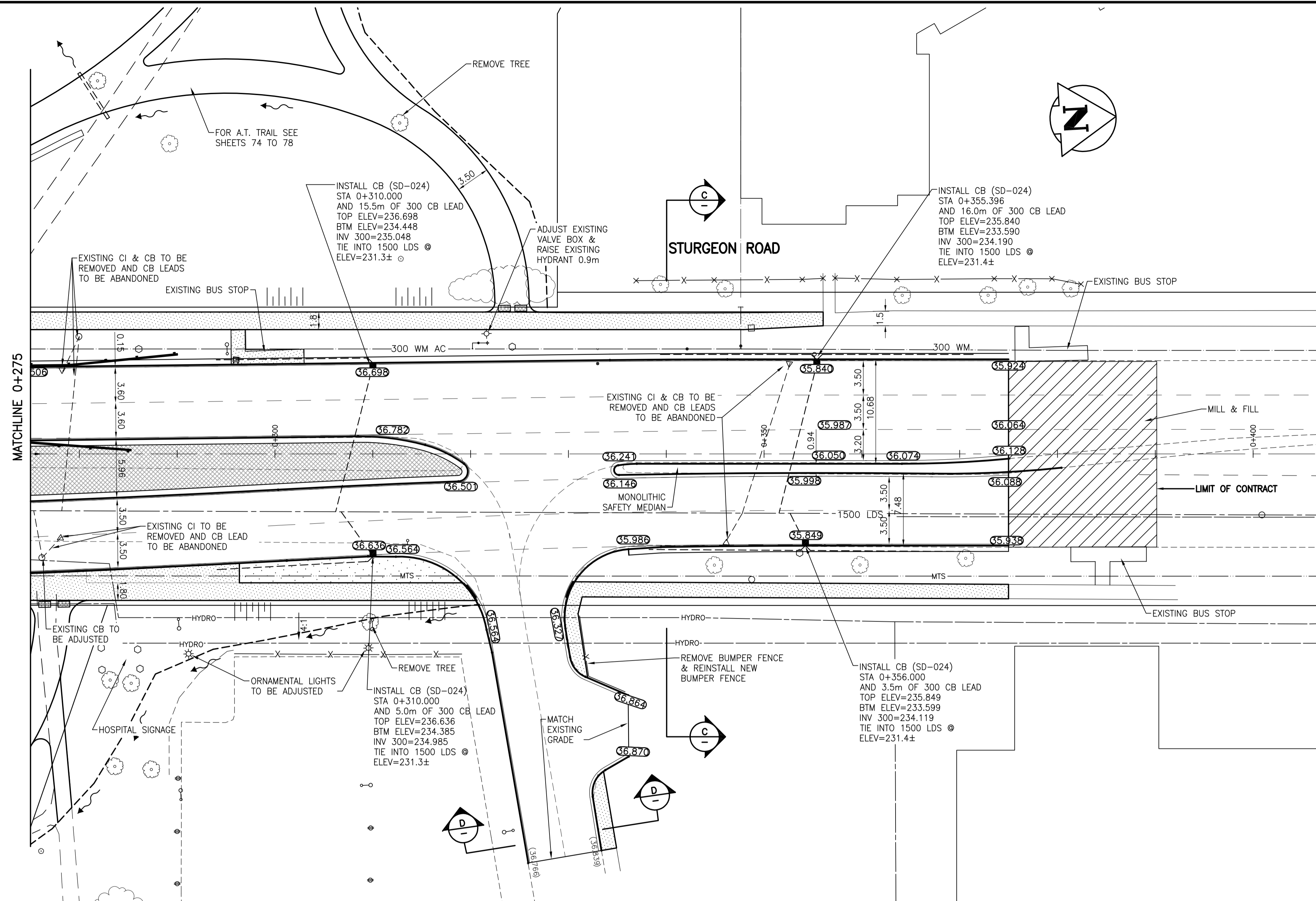
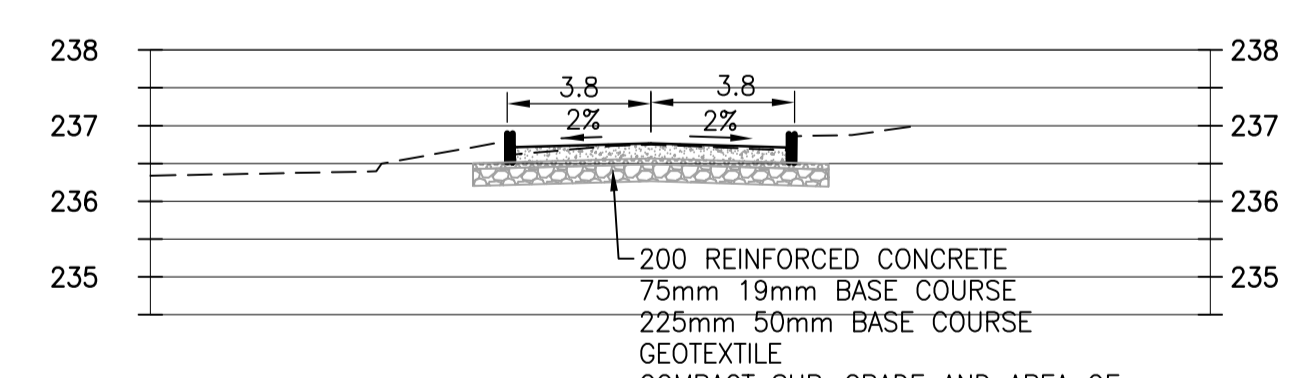


- NOTES:
- STREET LIGHTING AND WOODEN HYDRO POLES TO BE REMOVED BY HYDRO.



C SECTION AT STA 0+340
1:200H 1:100V



D SECTION THRU ACCESS ROAD
1:200H 1:100V

WARNING

IF POWER EQUIPMENT OR EXPLOSIVES ARE TO BE USED FOR EXCAVATION ON THIS PROJECT THE CONTRACTOR MUST:
 1) NOTIFY THE GAS COMPANY OF THE PROPOSED LOCATION OF EXCAVATION.
 2) TAKE PRECAUTION TO AVOID DAMAGE TO GAS COMPANY INSTALLATIONS.
 SEE PROVINCIAL REGULATION 140/92 FOR DETAILS

METRIC

WHOLE NUMBERS INDICATE MILLIMETRES
 DECIMALIZED NUMBERS INDICATE METRES

150 WM	WATERMAIN	300 LDS	LAND DRAINAGE SEWER	250 WWS	WASTE WATER SEWER	HYDRO	M.T.S.	CONCRETE	ASPHALT	SIDEWALK	DECORATIVE ROCK	PROPERTY LINE	SURVEY BAR	DITCH	ELEVATION	SIDEWALK RAMP
○	MANHOLE	○	CATCH BASIN	▽	CURB INLET	+	JUNCTIONS	▽	CULVERT	—	GAS	—	—	—	—	—
—	EXISTING	—	LEGEND-PLAN	—	PROPOSED	—	EXISTING	—	PROPOSED	—	EXISTING	—	LEGEND-PLAN	—	PROPOSED	—

LOCATION APPROVED UNDERGROUND STRUCTURES

NOTE:
 LOCATION OF UNDERGROUND STRUCTURES AS SHOWN ARE BASED ON THE BEST INFORMATION AVAILABLE BUT NO GUARANTEE IS GIVEN THAT ALL EXISTING UTILITIES ARE SHOWN OR THAT THE GIVEN LOCATIONS ARE EXACT. CONFIRMATION OF EXISTENCE AND EXACT LOCATION OF ALL SERVICES MUST BE OBTAINED FROM THE INDIVIDUAL UTILITIES BEFORE PROCEEDING WITH CONSTRUCTION.

83R498 - N. SIDE PORTAGE AVE. @ HARRIS BLVD., TBLT. ON TOP OF 0.05m DIA. X 2.4m IRON PIPE, 6.5m N. OF N. CURB LINE OF PORTAGE AVE., & 2.2m E. OF C.L. CONC. PAVT. OF HARRIS BLVD. PRODUCED FROM THE S.

Stantec Consulting Ltd.
 100-1355 Taylor Ave., Winnipeg, Manitoba
 Tel 204-928-8840 Fax 204-284-4795

DESIGNED BY: V.M.M. CHECKED BY:
 DRAWN BY: T.G. APPROVED BY: V.M.M.
 HOR. SCALE: 1:250 RELEASED FOR CONSTRUCTION:
 VERTICAL: 1:10 DATE: 10.08.23

ENGINEER'S SEAL
 CONSULTANT DRAWING NO. C-109

THE CITY OF WINNIPEG
 PUBLIC WORKS DEPARTMENT
 ENGINEERING DIVISION

STURGEON ROAD
 BRIDGE REPLACEMENT
 PORTAGE AVENUE TO HALLONQUIST DRIVE
 STA. 0+275 TO STA. 0+375
 HORIZONTAL ALIGNMENT

SHEET 67 OF 82
 CAD FILE DRAWING NUMBER 31590c-107-767.dwg
 CITY DRAWING NUMBER P-3331-05

V:\1137\winnipeg\11371590\working\102_drawing\102_drawing.dwg (file) (transportation) 1590c-201-004.dwg 2011 September 20, 3:28 p.m.