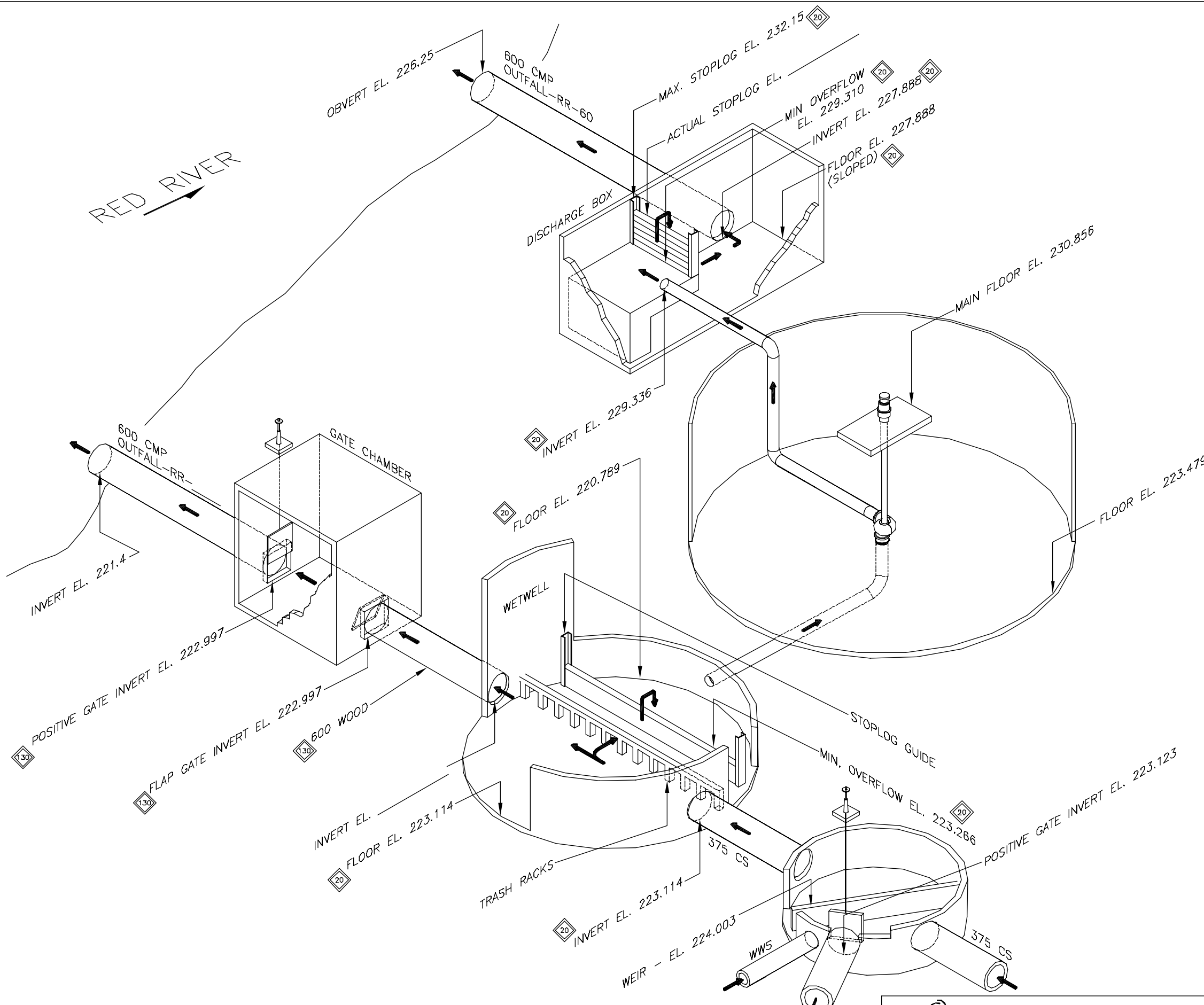


FILE No.: P:/PROJECTS/2005/05-0107-02/MECH/DWGS/FPS Isometrics/Rev.1-March-2005/Laverendrye-MD19-Rev.0.dwg



LOCATION

- AREA EAST
- SECTOR 81
- ADDRESS _____

KEY ELEVATIONS

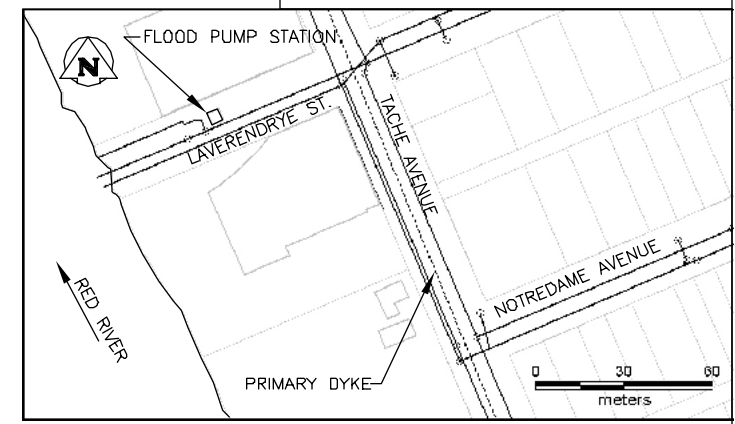
- JAMES ST. 25.8 FT = 7.864m
- LOW BASEMENT 227.38
- MAXIMUM ACTIVATION 226.77
- ACTUAL ACTIVATION
 - JAMES 3.35
 - SITE RIVER 225.24
- PUMP START/STOP 1 224.27/223.63
- HIGH ALARM

NOTES

1. SOURCE OF DATA SHOWN CAN BE TRACED BY REFERRING TO THE BASELINE DATA SPREADSHEETS. FOR SPECIFIC CROSS REFERENCES ON THE DRAWING (IE. 73), REFER TO THE FPS BASELINE DATA SPREADSHEET-SUPERSCRIP CROSS-REFERENCE SHEET.

PUMP INFORMATION

PUMP REF No.	HP	CAPACITY	
		NO STOPLOGS (CMS)	FULL STOPLOGS (CMS)
2	45	0.27	0.24



SITE PLAN

NO.	D / M / Y	DESCRIPTION	BY
REVISIONS / ISSUE			

THE CITY OF WINNIPEG
 WATER AND WASTE DEPARTMENT

FLOOD ACTIVITY / EMERGENCY MANUAL
 TITLE: LAVRENDRYE FPS ISOMETRIC
 JOB No. 020-08-09-09-00 DATE: MAR. 19, 2003
 SCALE: N.T.S. DWG. No. 00-107-10-M19
 CHECKED: HSW/RED