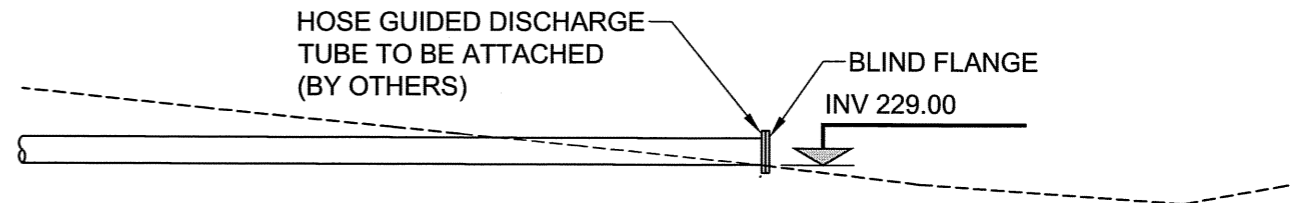
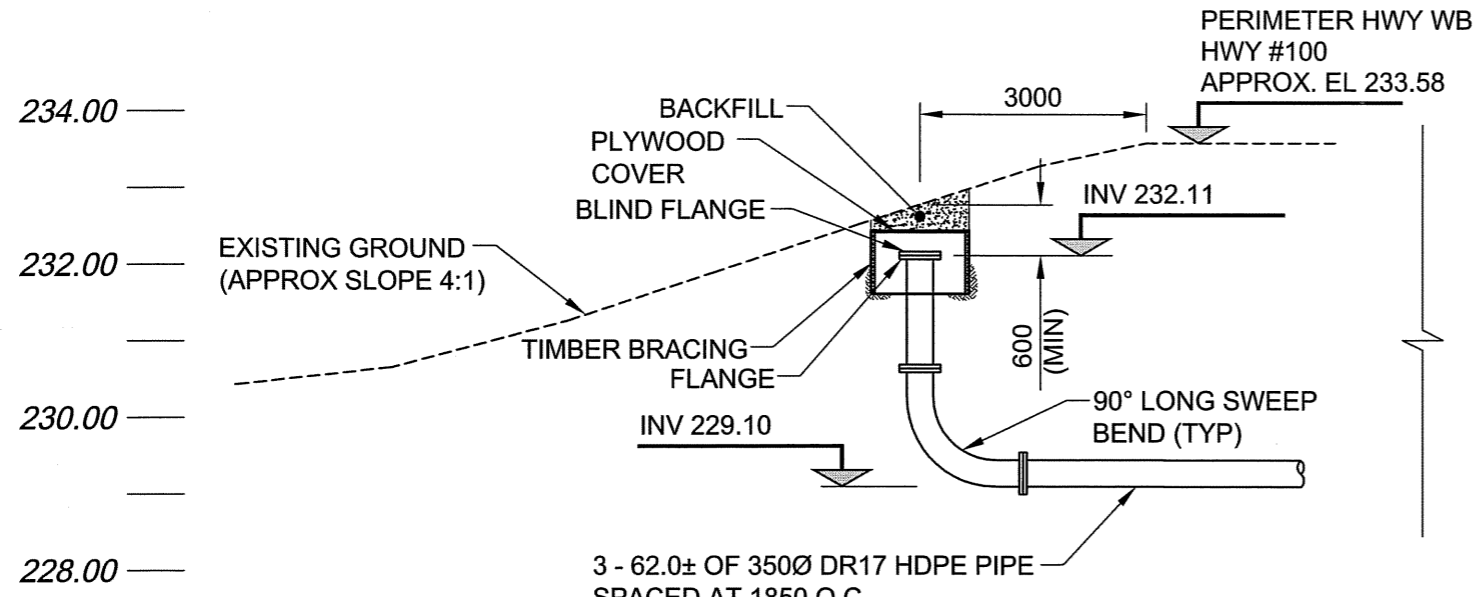


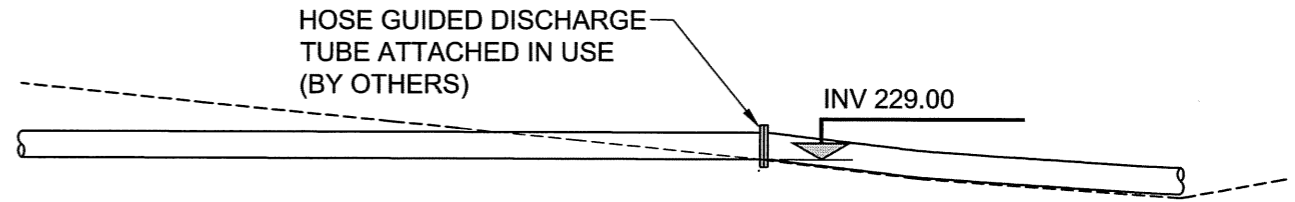
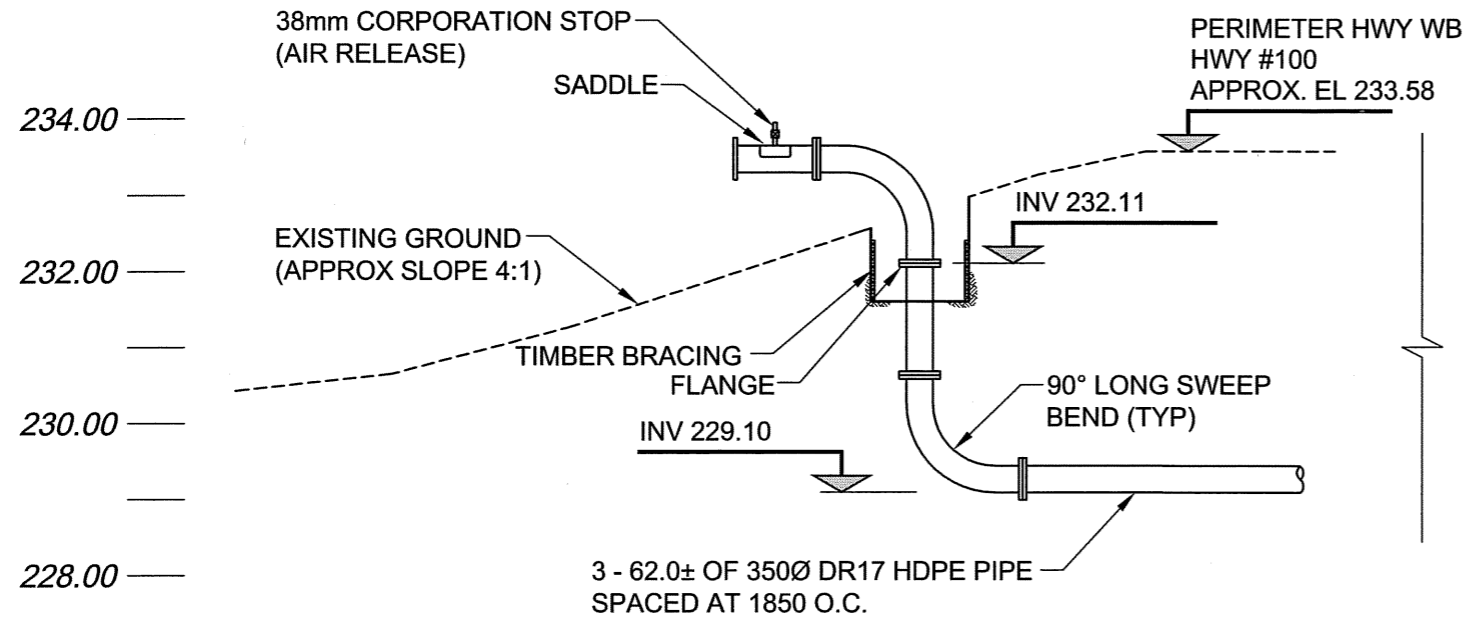
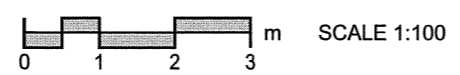
B SIZE 11" x 17" (279mm x 432mm)

PLOT: 11/02/18 3:58:30 PM

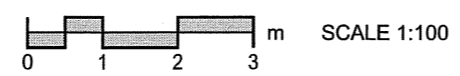
FILE NAME: 60196297-01-C-101-R0X.dwg Saved By: berardk



**BALDRY CREEK DISCHARGE PIPES - NOT IN USE**



**BALDRY CREEK DISCHARGE PIPES - IN USE**



**METRIC**  
WHOLE NUMBERS INDICATE MILLIMETRES  
DECIMALIZED NUMBERS INDICATE METRES

**APECM**  
Certificate of Authorization  
AECOM Canada Ltd.  
No. 4671 Date: Feb 18, 2011

BID OPPORTUNITY NO. 135-2011

AECOM REVIEW	DRFT CHK	<b>LOCATION APPROVED UNDERGROUND STRUCTURES</b>			
		SUPR. U/G STRUCTURES COMMITTEE	DATE		
<p><b>NOTE:</b> LOCATION OF UNDERGROUND STRUCTURES AS SHOWN ARE BASED ON THE BEST INFORMATION AVAILABLE. BUT NO GUARANTEE IS GIVEN THAT ALL EXISTING UTILITIES ARE SHOWN OR THAT THE GIVEN LOCATIONS ARE EXACT. CONFIRMATION OF EXISTENCE AND EXACT LOCATION OF ALL SERVICES MUST BE OBTAINED FROM THE INDIVIDUAL UTILITIES BEFORE PROCEEDING WITH CONSTRUCTION.</p>					
NO.	REVISIONS	YY/MM/DD	BY		
0	ISSUED FOR CONSTRUCTION	11/02/18	KMB		

<p><b>AECOM</b></p> <p><small>This drawing has been prepared for the use of AECOM's client and may not be used, reproduced or relied upon by third parties, except as agreed by AECOM and its client, as required by law or for use by governmental reviewing agencies. AECOM accepts no responsibility, and denies any liability whatsoever, to any party that modifies this drawing without AECOM's express written consent. Do not scale this document. All measurements must be obtained from stated dimensions.</small></p>			
DESIGNED BY	JT	CHECKED BY	<i>[Signature]</i>
DRAWN BY	KMB	APPROVED BY	<i>[Signature]</i>
HOR. SCALE	1:100	RELEASED FOR CONSTRUCTION	
VERT. SCALE		DATE	

PROFESSIONAL'S SEAL  
PROVINCE OF MANITOBA  
Feb 18, 2011  
A. NAGY  
REGISTERED PROFESSIONAL ENGINEER  
CONSULTANT DRAWING NO.  
60196297-01-C-101-R0X.dwg

**THE CITY OF WINNIPEG**  
WATER AND WASTE DEPARTMENT

CITY OF WINNIPEG  
DUCHARME AND BALDRY CREEK FLOOD PROTECTION WORKS  
BALDRY CREEK DISCHARGE LINES  
SECTION AND DETAILS

SHEET	4	OF	4
DRAWING NUMBER			
D-4			REV 0