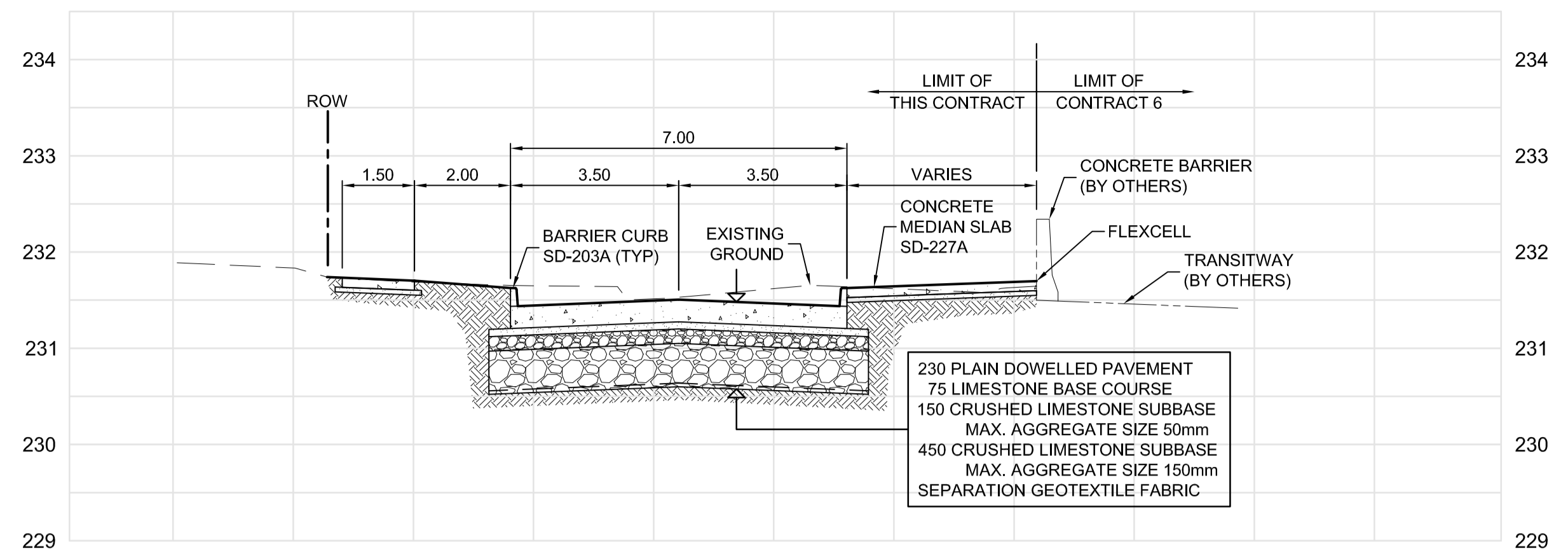
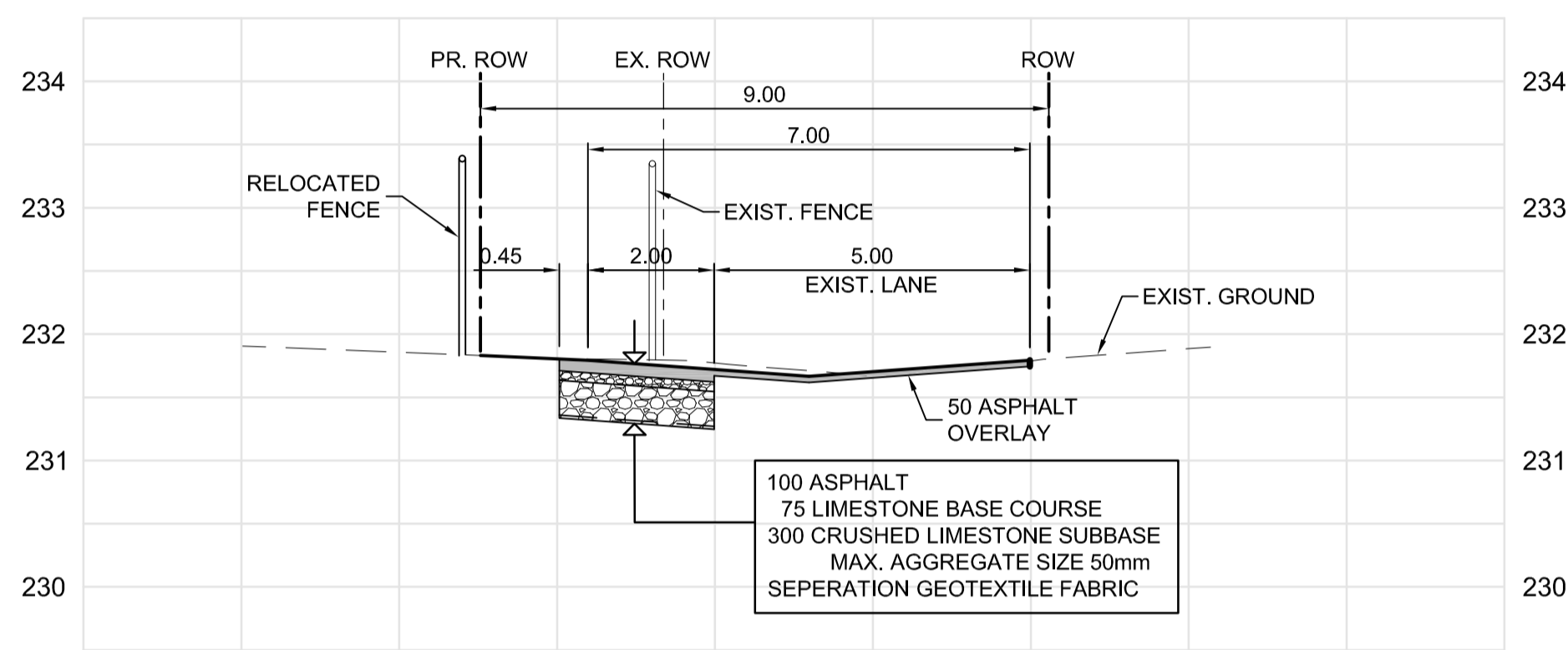


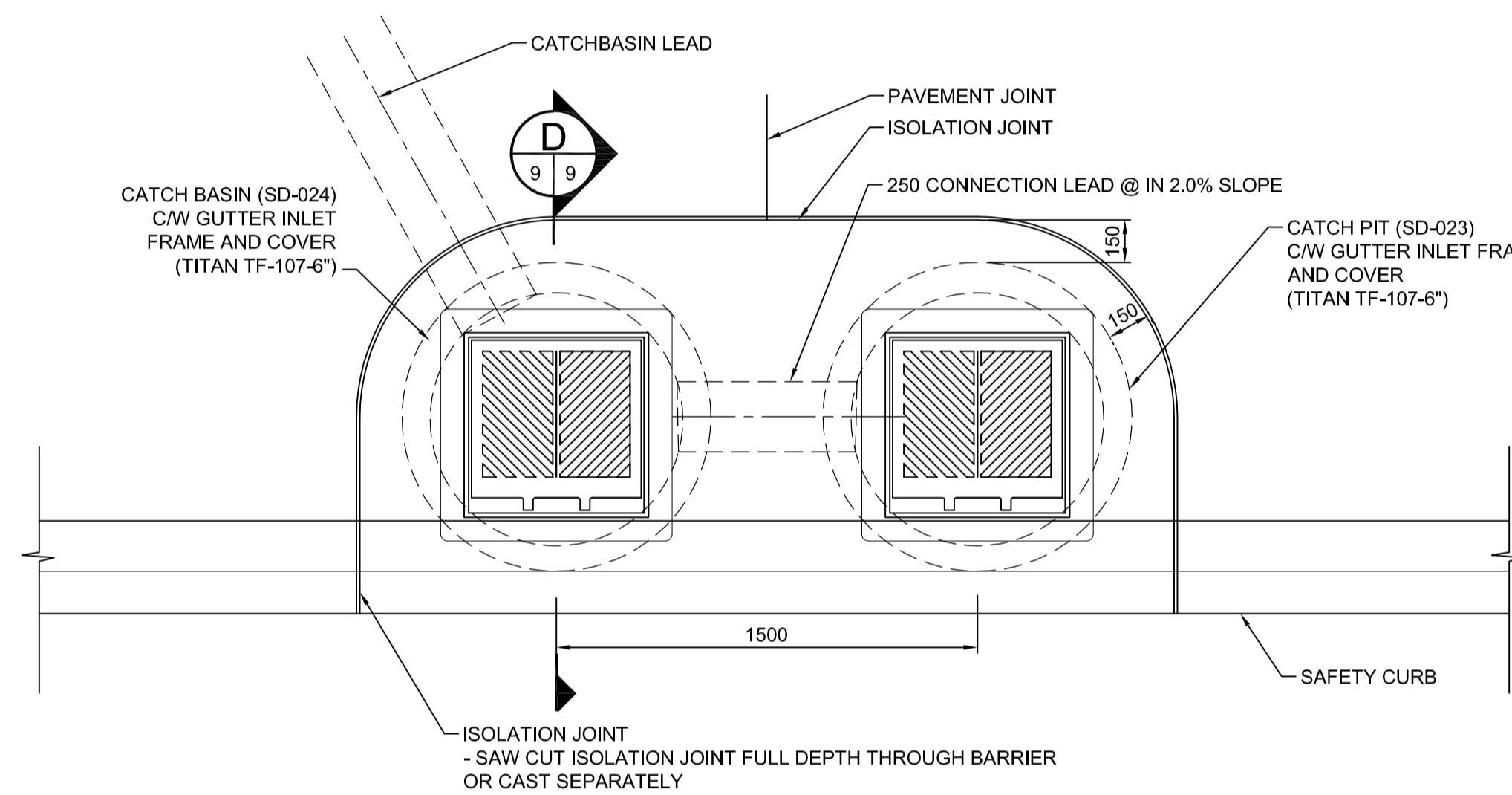
A CROSS SECTION
SCALE: H-1:100 V-1:50



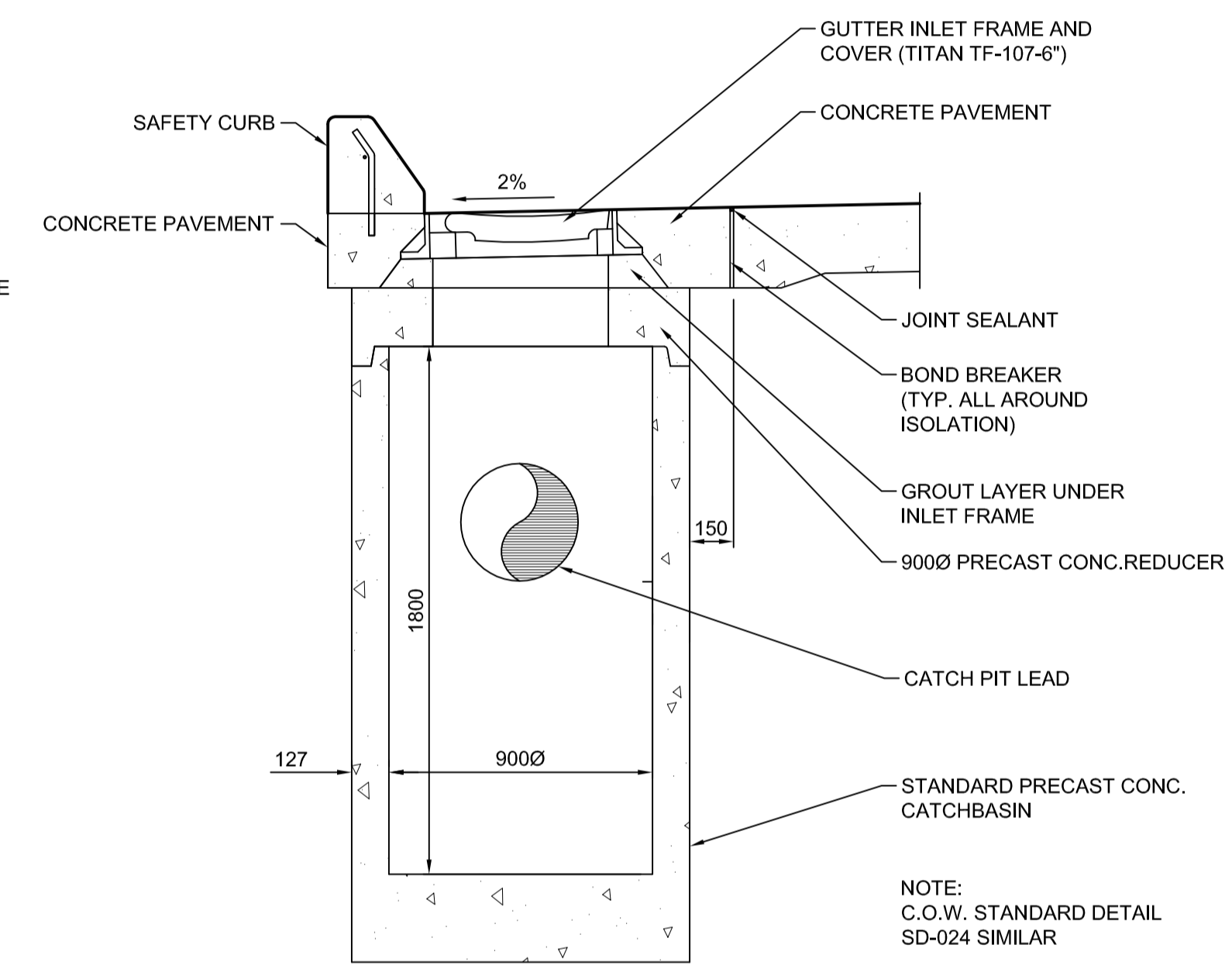
B CROSS SECTION
SCALE: H-1:100 V-1:50



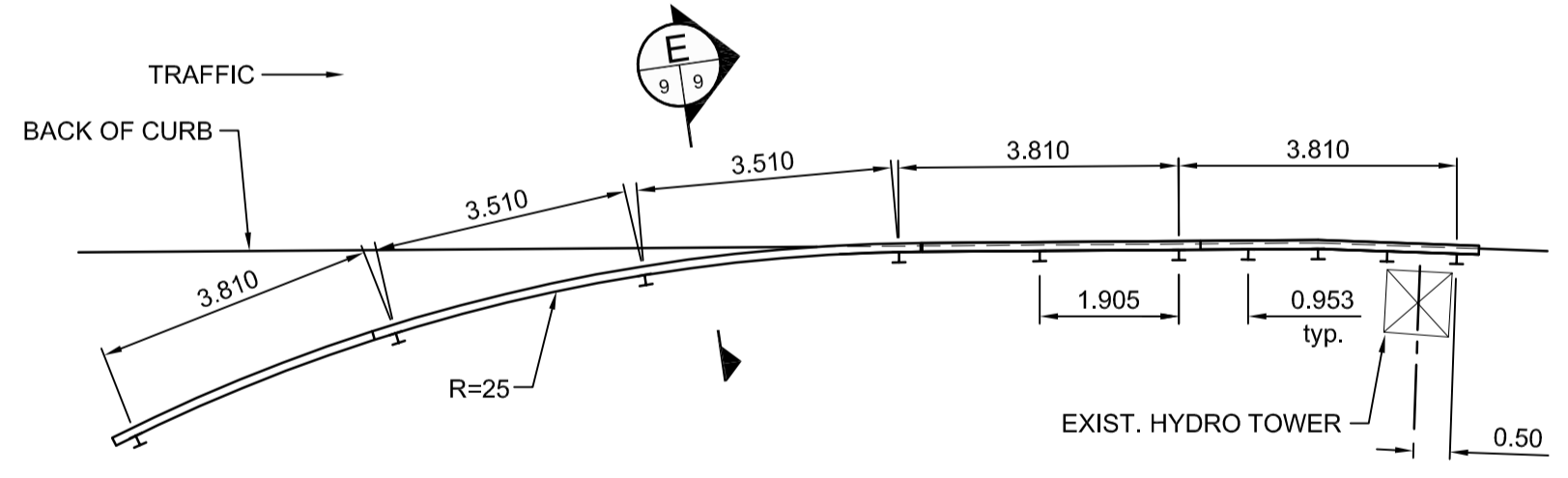
C CROSS SECTION
SCALE: H-1:100 V-1:50



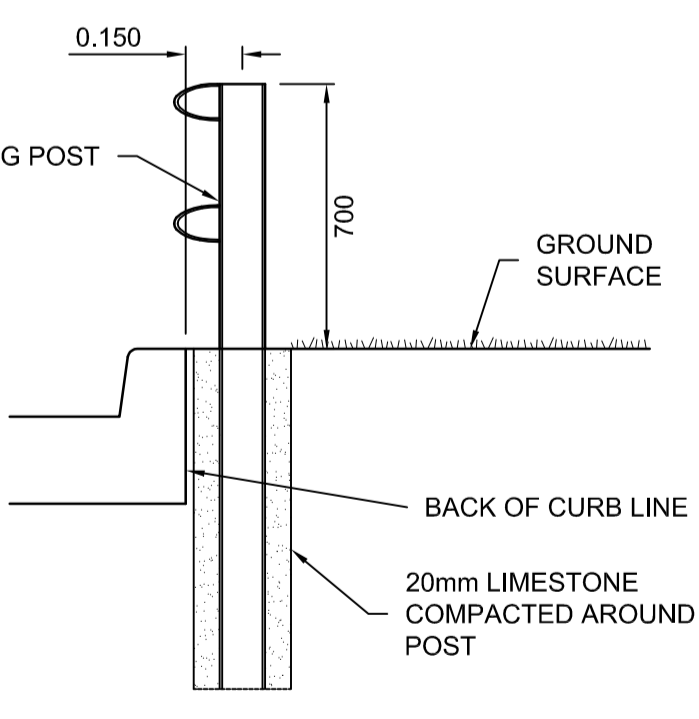
1 DUAL INLET WITH LEADS
SCALE 1:20



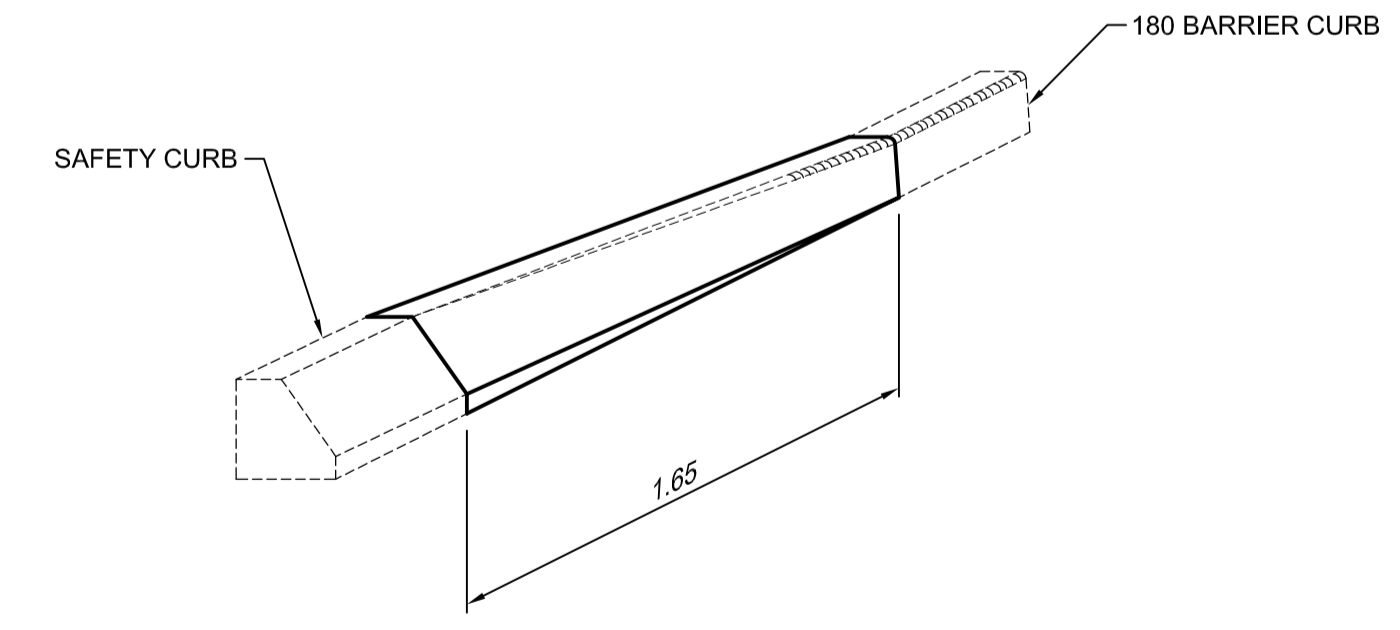
D SECTION
SCALE 1:20



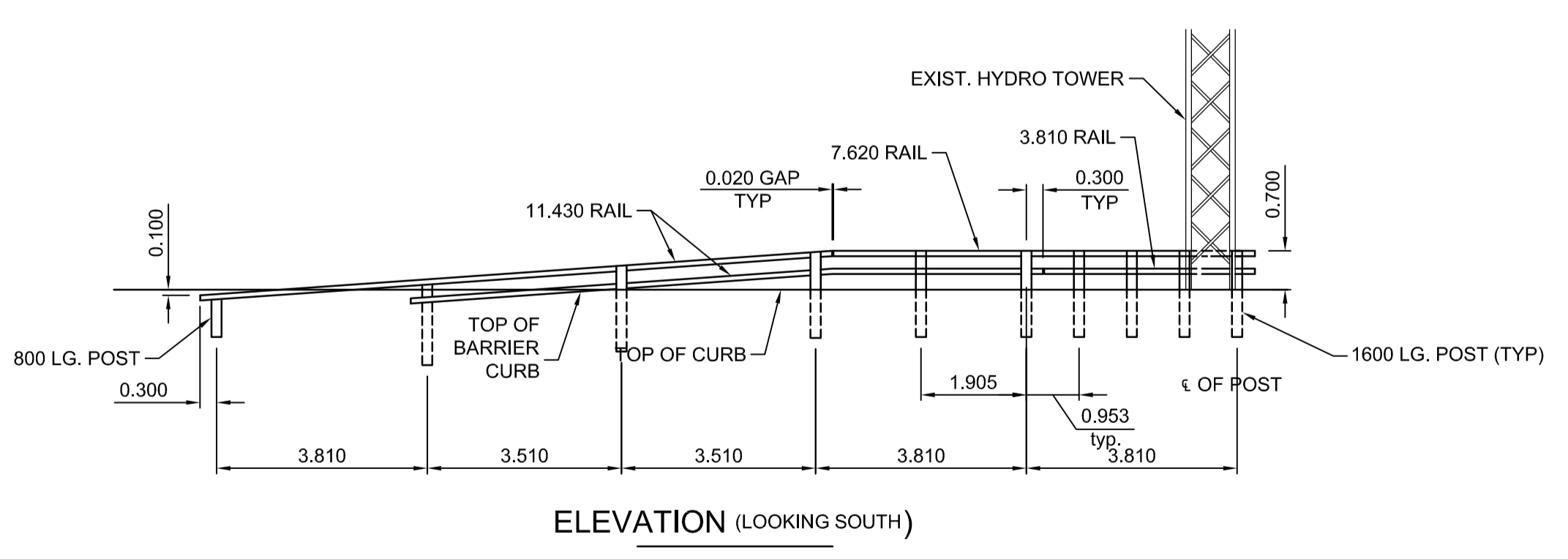
E GUARDRAIL - SECTION
SCALE 1:20



2 GUARDRAIL
SCALE 1:100



3 CURB TRANSITION DETAIL
SCALE 1:25



2 GUARDRAIL
SCALE 1:100



LOCATION UNDERGROUND STRUCTURES SUPPLY U/G STRUCTURES COMMITTEE DATE	APPROVED STRUCTURES DATE	B.M. ELEV.	DESIGNED BY RTP DRAWN BY TJH CHECKED BY ORIGINAL SIGNED BY TARAN J. PETERS APPROVED BY ORIGINAL SIGNED BY DAVE P. KRAHN		ENGINEER'S SEAL PROVINCE OF MANITOBA T.J. PETERS 04/20/2011 Member 22309 REGISTERED PROFESSIONAL ENGINEER		SOUTHWEST RAPID TRANSIT CORRIDOR - STAGE 1 STATION CONSTRUCTION, WARSAW RECONSTRUCTION & ASSOCIATED WORKS	CITY DRAWING NUMBER P-3325-09 SHEET 09 OF 28 CONSULTANT DRAWING NUMBER C7-C3005-T
NOTE: LOCATION OF UNDERGROUND STRUCTURES AS SHOWN ARE BASED ON THE BEST INFORMATION AVAILABLE, BUT NO GUARANTEE IS GIVEN THAT ALL EXISTING UTILITIES ARE SHOWN OR THAT THE GIVEN LOCATIONS ARE EXACT. CONFIRMATION OF EXISTENCE AND EXACT LOCATION OF ALL SERVICES MUST BE OBTAINED FROM THE INDIVIDUAL UTILITIES BEFORE PROCEEDING WITH CONSTRUCTION.			HOR. SCALE AS NOTED VERTICAL	RELEASED FOR CONSTRUCTION ORIGINAL SIGNED BY RANDY FINGAS DATE 04/20/11	CONSULTANT PROJECT NO. 088813	SECTIONS & DETAILS		
NO. REVISIONS 2 ISSUED FOR TENDER 04/20/11 TJP 1 ISSUED FOR 90% REVIEW 02/18/11 TJP	DATE BY 04/20/11 TJP 02/18/11 TJP		DATE 04/20/11					

C:\CAD\088813\Contract\Contract 7\Current\Roadway\C7-Sections-Details.dwg