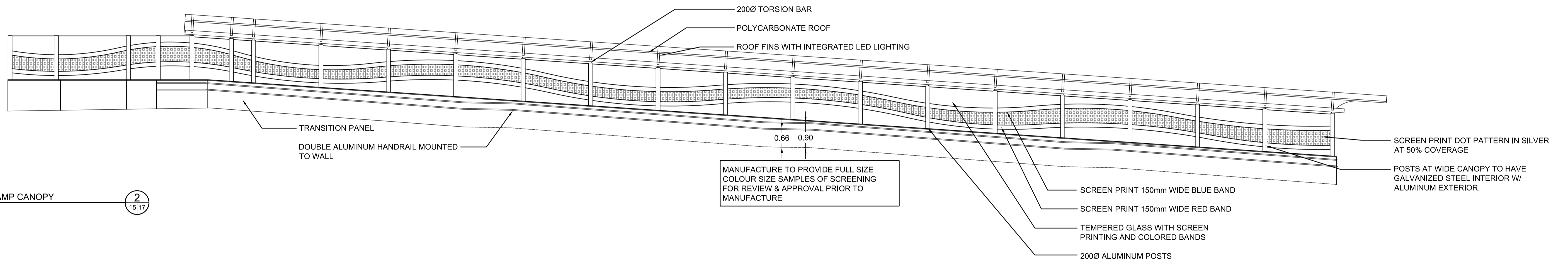
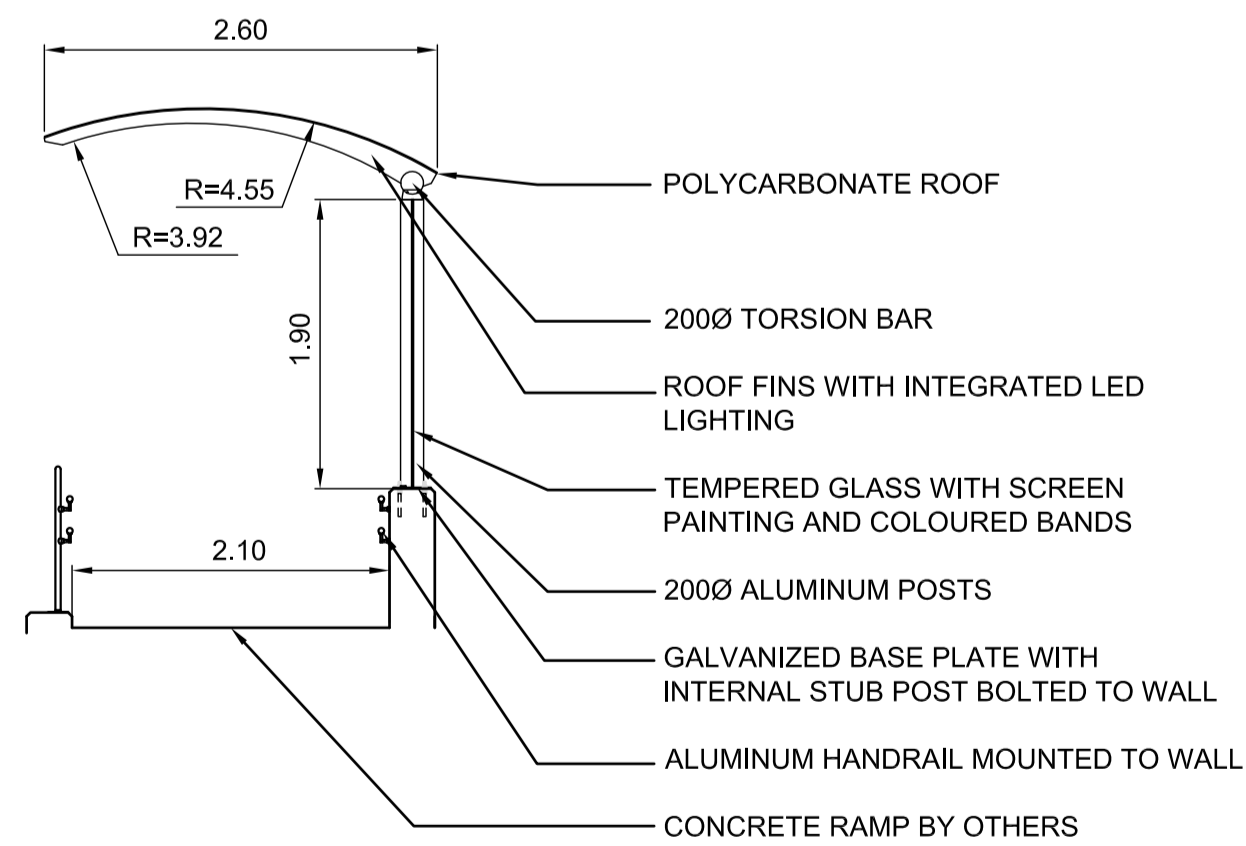


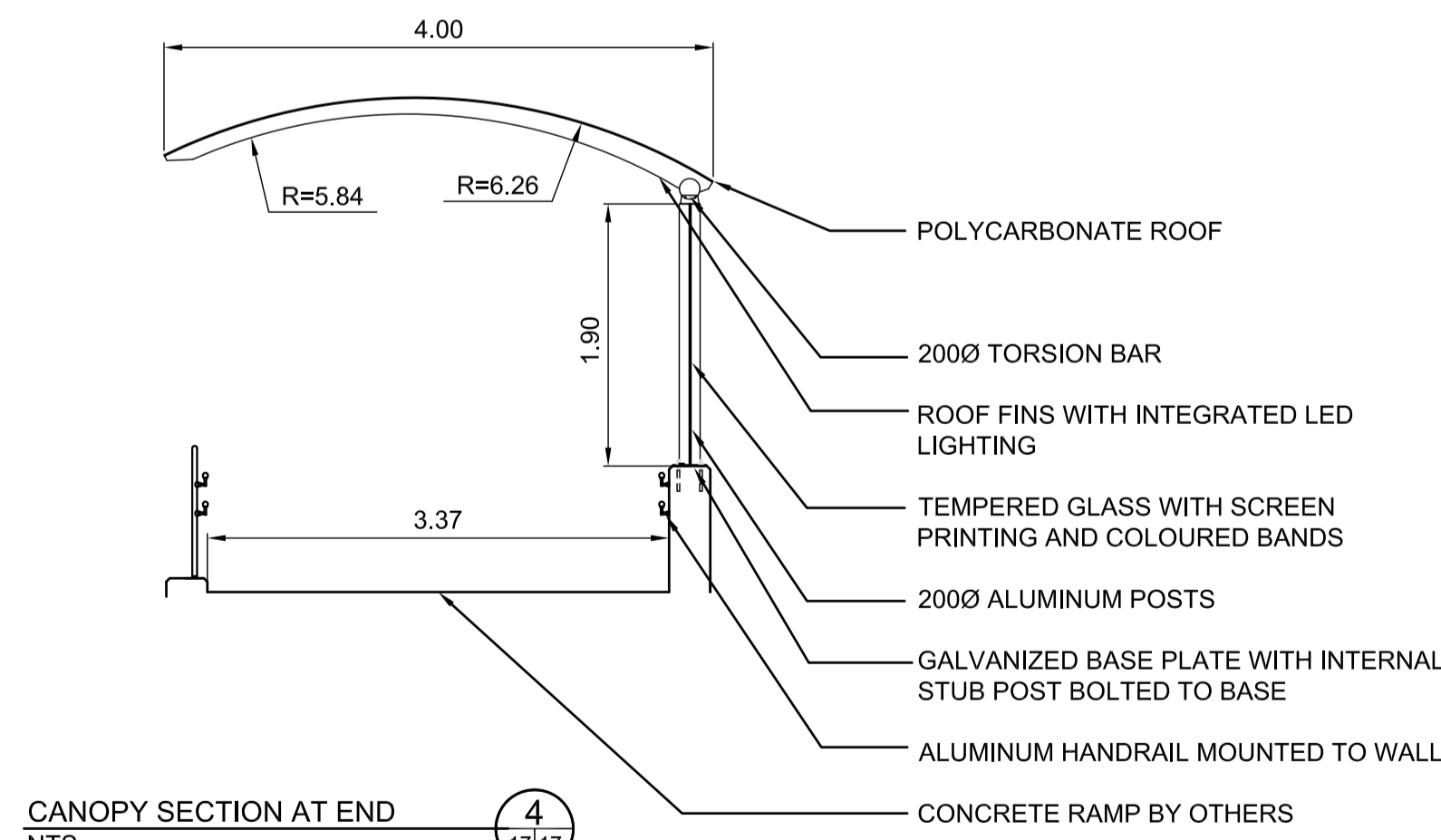
OSBORNE STATION LAYOUT PLAN
SCALE 1:100



ELEVATION OF RAMP CANOPY
SCALE 1:75



CANOPY SECTION AT MIDPOINT
NTS



CANOPY SECTION AT END
NTS

REFER TO ELECTRICAL DRAWINGS FOR ALL WIRING CONNECTIONS TO ALL SIGNS, CANOPIES AND STRUCTURES.

CONTRACTOR TO SUPPLY SHOP DRAWINGS STAMPED BY A STRUCTURAL ENGINEER LICENSED TO PRACTICE IN THE PROVINCE OF MANITOBA. SHOP DRAWINGS TO INCLUDE WALL THICKNESSES, MATERIALS, ETC. AS LISTED IN THE SPECIFICATIONS

ALL DIMENSIONS PROVIDED FOR INFORMATION ON DESIGN EXTENT.

LOCATION UNDERGROUND	APPROVED STRUCTURES	B.M. ELEV.	BM ELEV.
X	X		
SUPV. U/G STRUCTURES COMMITTEE	DATE		

NOTE:
LOCATION OF UNDERGROUND STRUCTURES AS SHOWN ARE BASED ON THE BEST INFORMATION AVAILABLE, BUT NO GUARANTEE IS GIVEN THAT ALL EXISTING UTILITIES ARE SHOWN OR THAT THE GIVEN LOCATIONS ARE EXACT. CONFIRMATION OF EXISTENCE AND EXACT LOCATION OF ALL SERVICES MUST BE OBTAINED FROM THE INDIVIDUAL UTILITIES BEFORE PROCEEDING WITH CONSTRUCTION.

DESIGNED BY	SR/JW
DRAWN BY	JW/MH
CHECKED BY	JW/SR
APPROVED BY	-
HOR. SCALE	AS NOTED
VERTICAL	
DATE	2011-04-20

NO.	REVISIONS	DATE	BY
1	ISSUED FOR TENDER	20/04/11	JW

DESIGNED BY SR/JW

DRAWN BY JW/MH

CHECKED BY JW/SR

APPROVED BY -

HOR. SCALE AS NOTED

VERTICAL

DATE 2011-04-20

RELEASED FOR CONSTRUCTION ORIGINAL SIGNED BY RAND FINCAS

DATE: APRIL 20, 2011

LANDSCAPE ARCHITECT'S SEAL

JACQUELINE L. WILKIE member no. 75

APRIL 20, 2011

CONSULTANT PROJECT NO. 08-028

THE CITY OF WINNIPEG TRANSIT DEPARTMENT

Winnipeg

SOUTHWEST RAPID TRANSIT CORRIDOR - STAGE 1 STATION CONSTRUCTION, WARSAW RECONSTRUCTION & ASSOCIATED WORKS

OSBORNE STATION WEST SIDE RAMP CANOPY

CITY DRAWING NUMBER P-3325-16

SHEET 16 OF 28

CONSULTANT DRAWING NUMBER C7-L-5005-T

X:\08-028_Southwestern_BRT_Corridor\Draw\2010\Contract 7\TENDER SET\shelters 2011-04-11.dwg