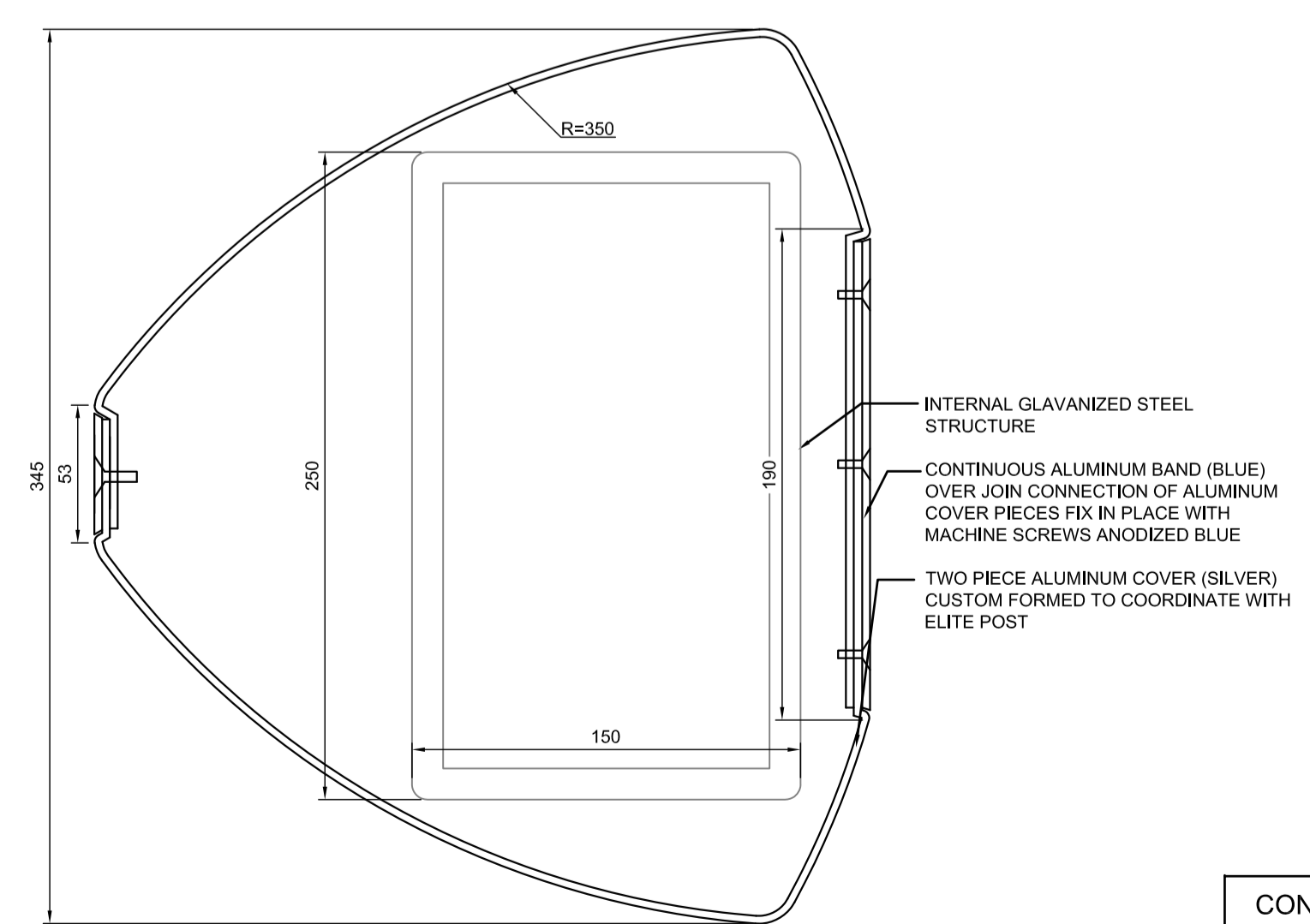
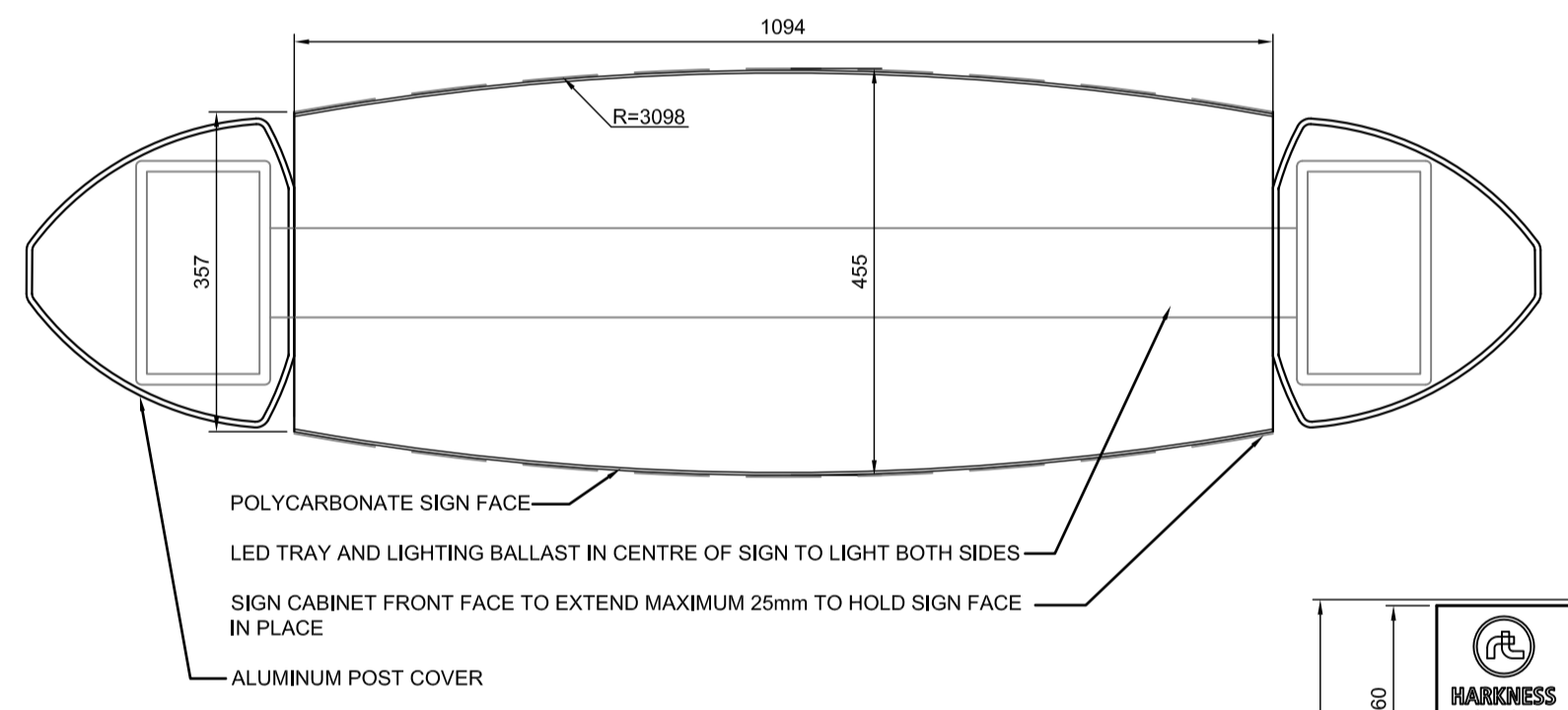


CONNECTION TO WALL

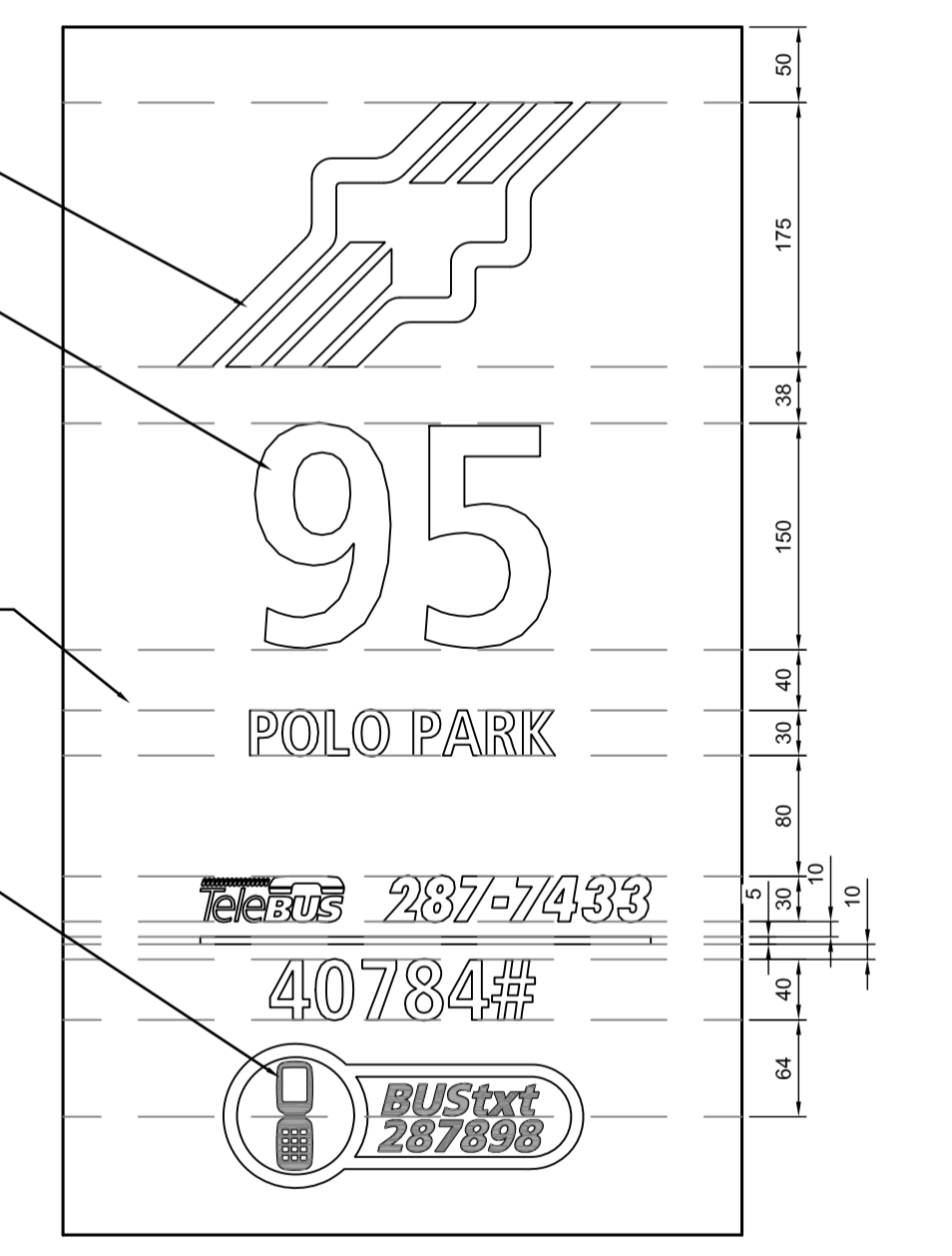
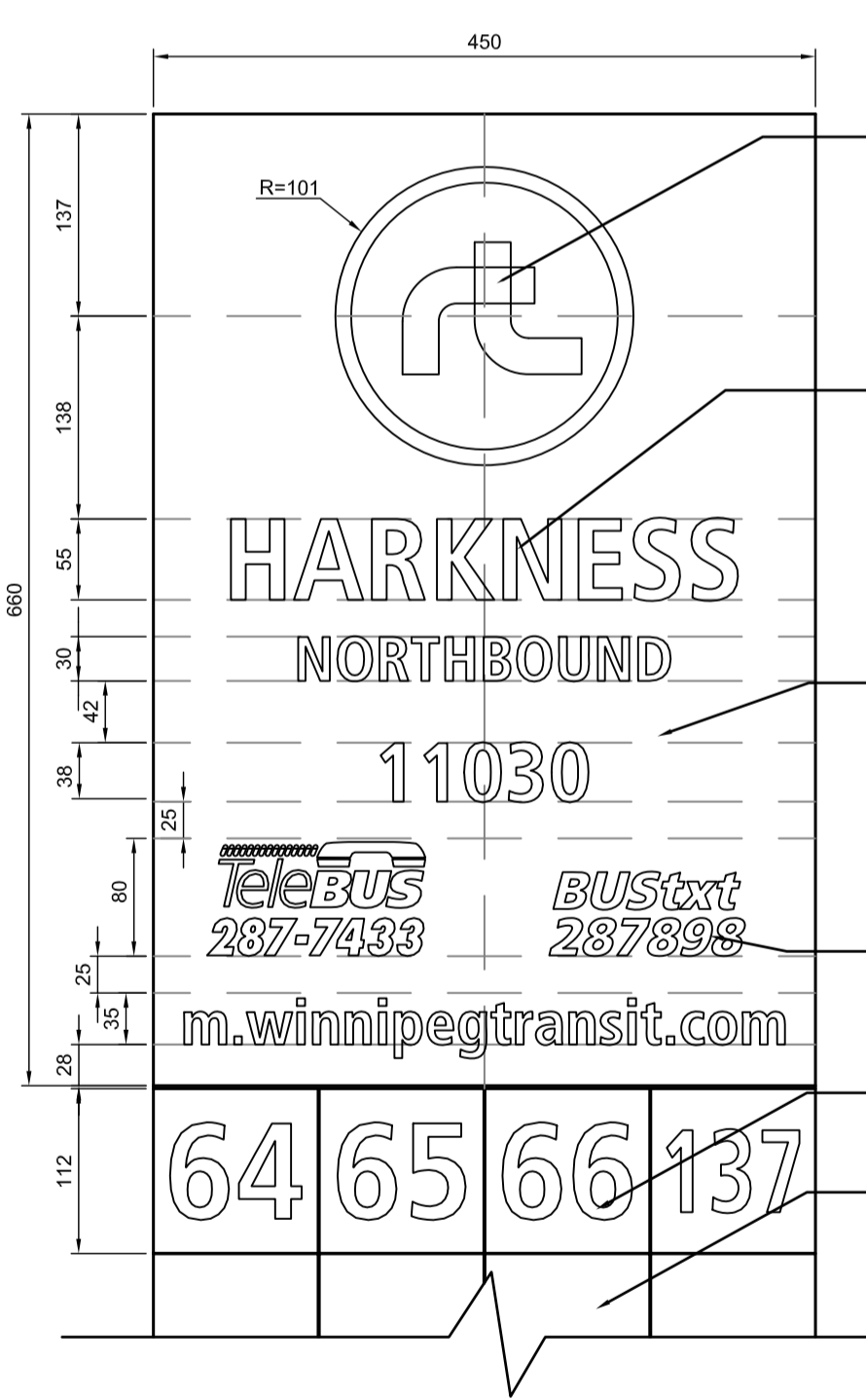
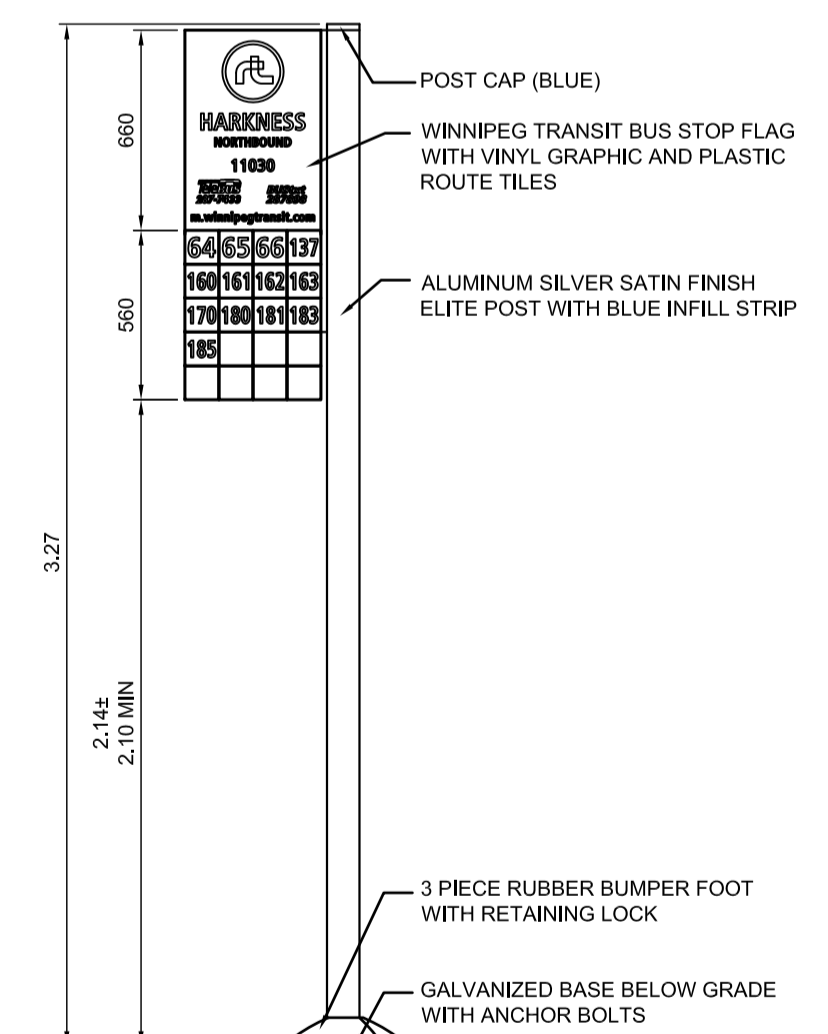
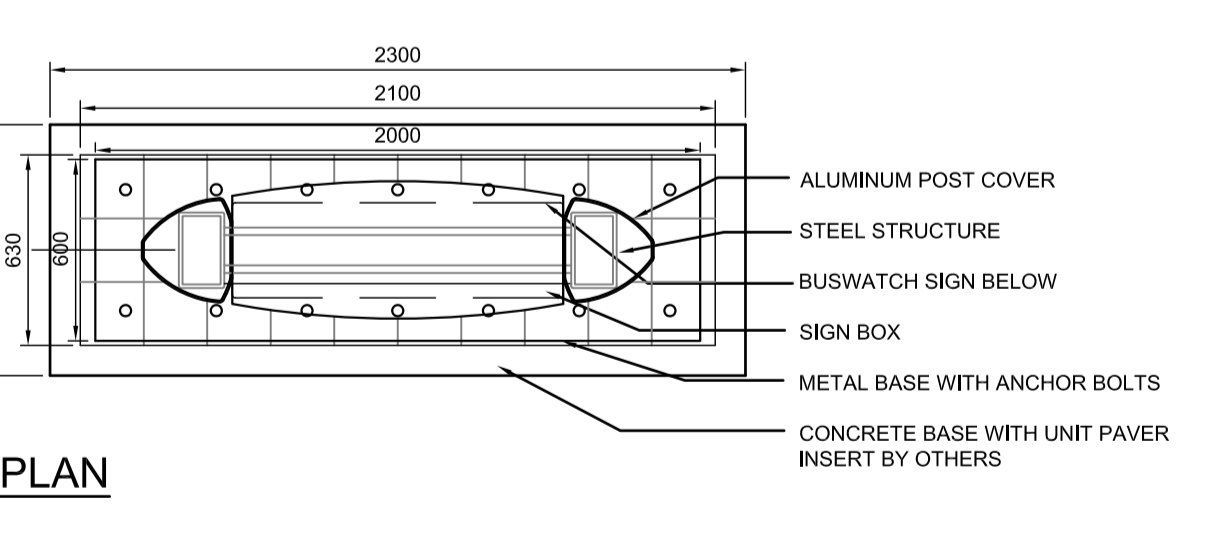
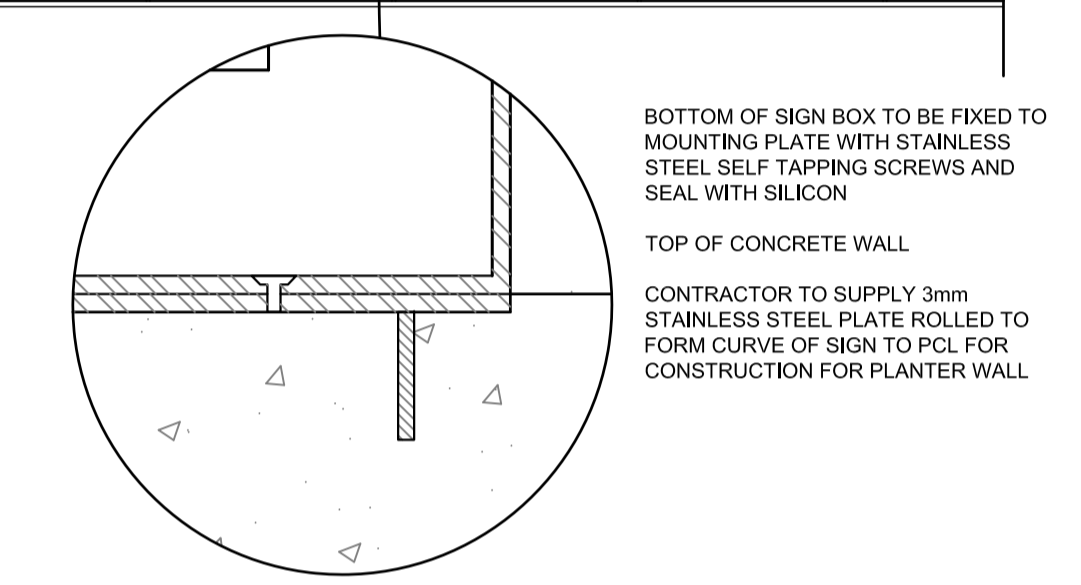
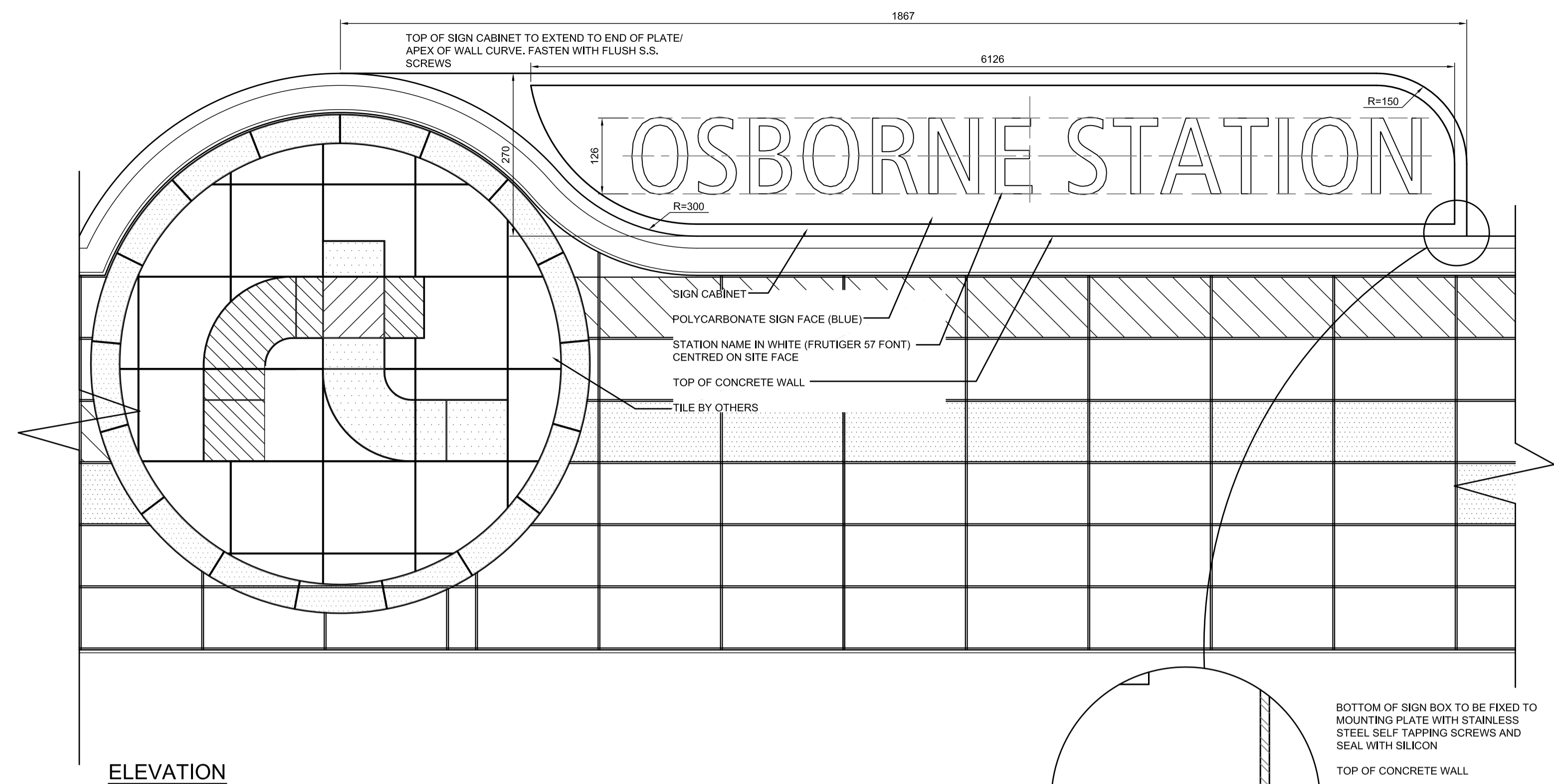
OSBORNE STATION WALL SIGN  
N.T.S.



ALL DIMENSIONS PROVIDED FOR INFORMATION ON DESIGN EXTENT.

CONTRACTOR TO SUPPLY SHOP DRAWINGS STAMPED BY A STRUCTURAL ENGINEER LICENSED TO PRACTICE IN THE PROVINCE OF MANITOBA. SHOP DRAWINGS TO INCLUDE WALL THICKNESSES, MATERIALS, ETC. AS LISTED IN THE SPECIFICATIONS

REFER TO ELECTRICAL DRAWINGS FOR ALL WIRING CONNECTIONS TO ALL SIGNS, CANOPIES AND STRUCTURES.



LOCATION UNDERGROUND	APPROVED STRUCTURES	B.M. ELEV.	B.M. ELEV.	DESIGNED BY	SR/JW
				DRAWN BY	PB
				CHECKED BY	JW/SR
				APPROVED BY	-
				HOR. SCALE	-
				VERTICAL	2011-04-20
1	ISSUED FOR TENDER	20/04/11	JW		
NO.	REVISIONS	DATE	BY	DATE	2011-04-20

DESIGNED BY	SR/JW	LANDSCAPE ARCHITECT'S SEAL
DRAWN BY	PB	McGOWAN RUSSELL
CHECKED BY	JW/SR	DILLON CONSULTING
APPROVED BY	-	RELEASED FOR CONSTRUCTION ORIGINAL SIGNED BY RANDY FINIGAS
HOR. SCALE	-	DATE: APRIL 20, 2011
VERTICAL	2011-04-20	CONSULTANT PROJECT NO. 08-028

LANDSCAPE ARCHITECT'S SEAL	THE CITY OF WINNIPEG TRANSIT DEPARTMENT
JACQUELINE L. WILKIE member no. 75 APRIL 20, 2011	SOUTHWEST RAPID TRANSIT CORRIDOR - STAGE 1 STATION CONSTRUCTION, WARSAW RECONSTRUCTION, & ASSOCIATED WORKS
	SELF SUPPORTING SIGNAGE

CITY DRAWING NUMBER	CONSULTANT DRAWING NUMBER
P-3325 - 20	C7-L-5009-T
SHEET 20 OF 28	

X:\08-028\_Southwestern\_BRT\_Corridor.dwg\2010\Contract\_7\TENDER\_SET\signage\_2011-04-11.dwg