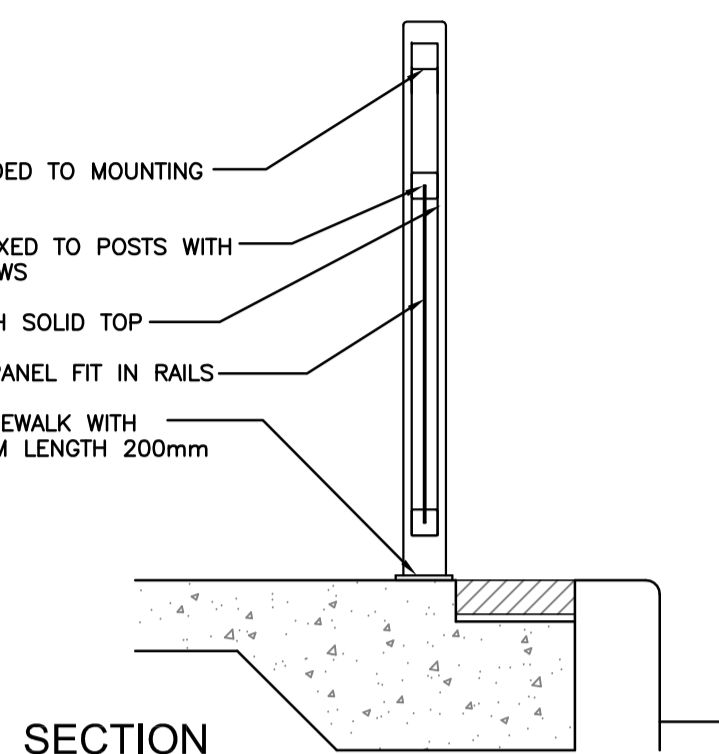


NOTE:
PEDESTRIAN GUARDRAIL TO BE USED FOR FENCE BETWEEN ATP & PLATFORM AT HARKNESS STATION. LENGTH AS PER PLAN



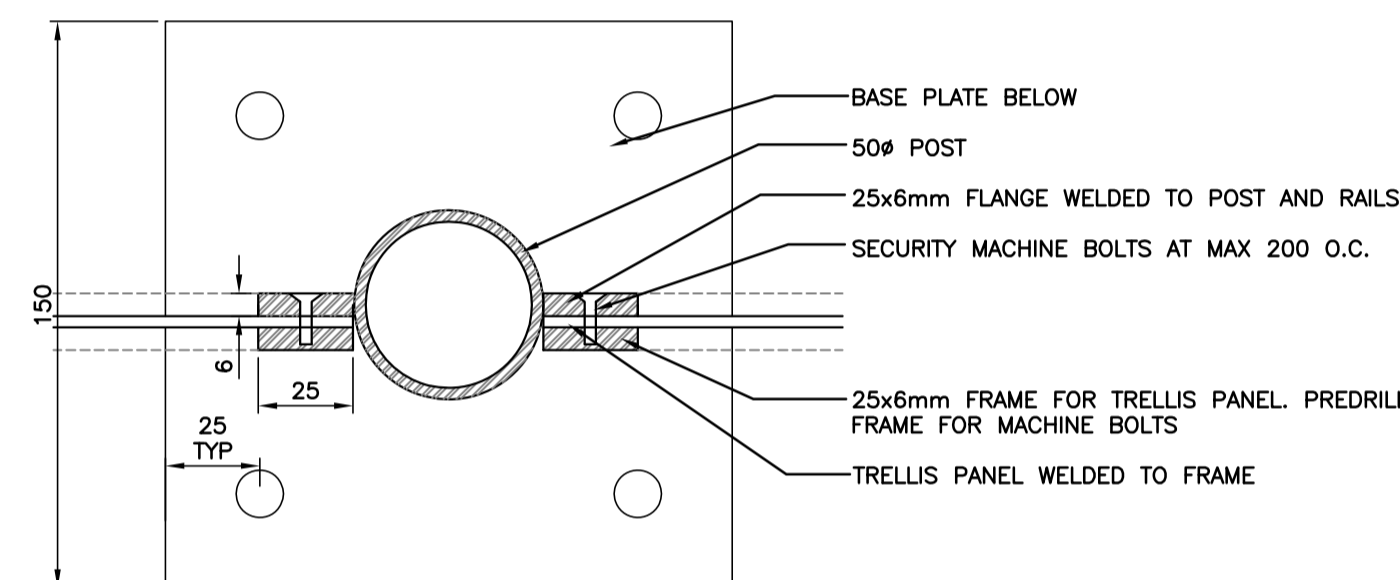
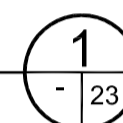
BASE PLATE

ALL DIMENSIONS PROVIDED FOR INFORMATION ON DESIGN EXTENT.

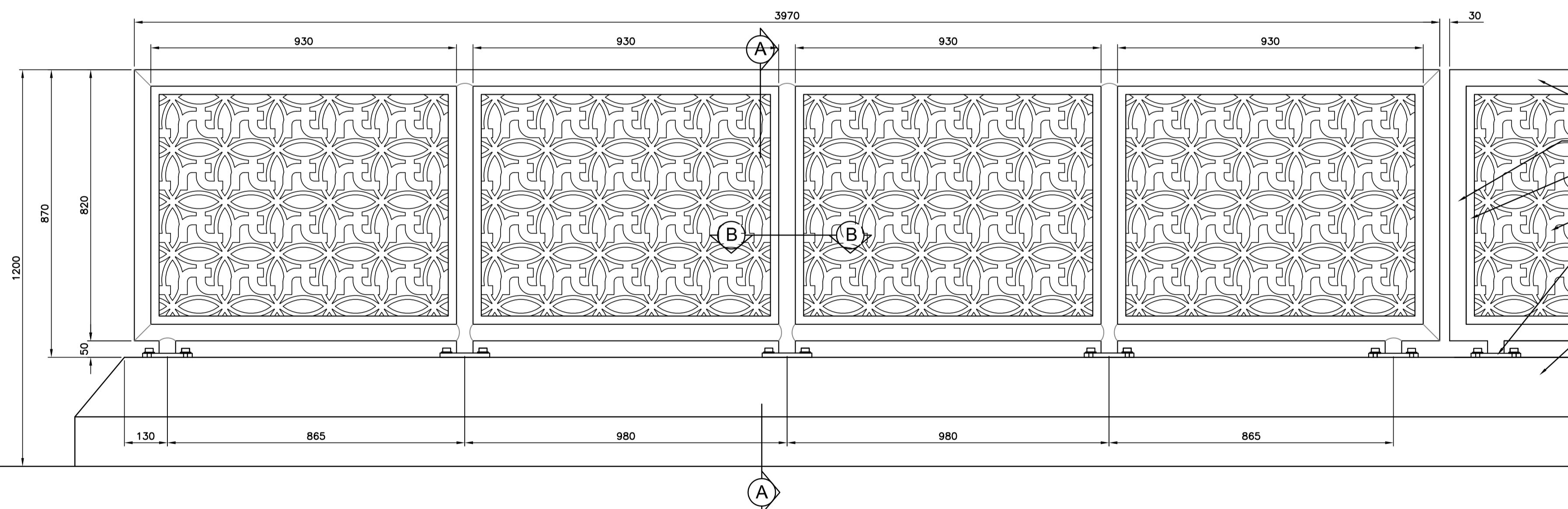
REFER TO ELECTRICAL DRAWINGS FOR ALL WIRING CONNECTIONS TO ALL SIGNS, CANOPIES AND STRUCTURES.

CONTRACTOR TO SUPPLY SHOP DRAWINGS STAMPED BY A STRUCTURAL ENGINEER LICENSED TO PRACTICE IN THE PROVINCE OF MANITOBA. SHOP DRAWINGS TO INCLUDE WALL THICKNESSES, MATERIALS, ETC. AS LISTED IN THE SPECIFICATIONS

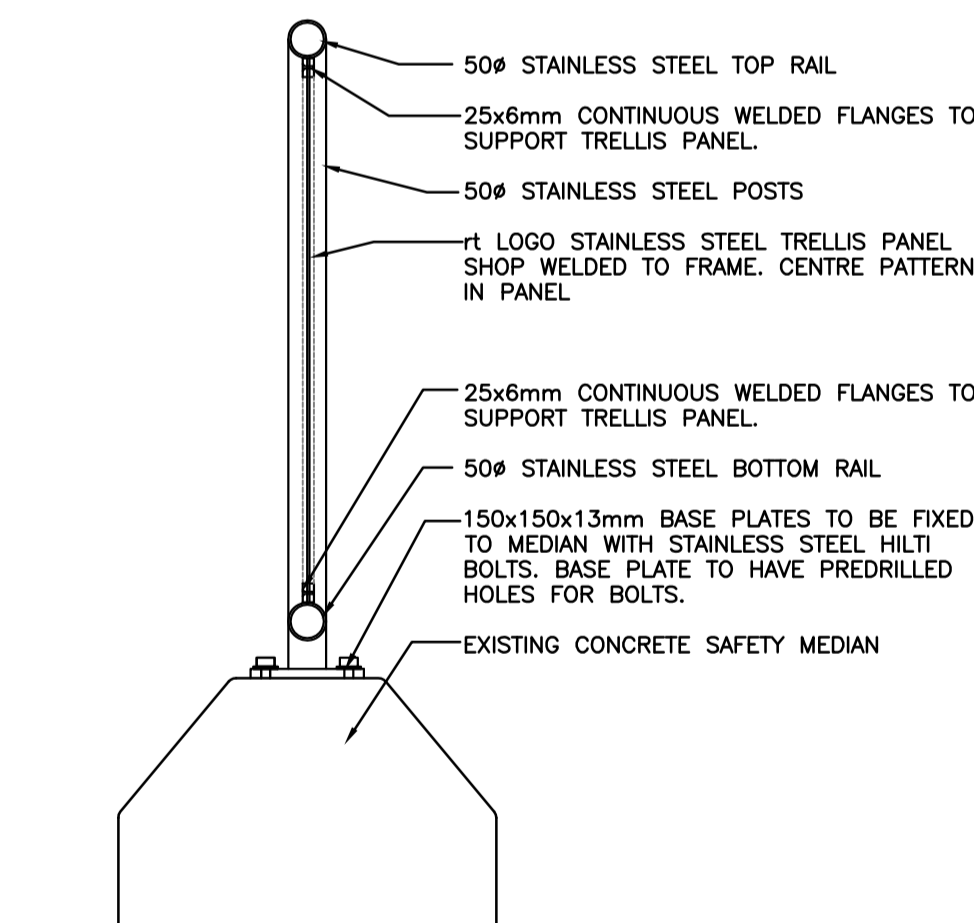
PEDESTRIAN GUARD RAIL
N.T.S.



SECTION B-B

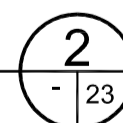


PARTIAL ELEVATION



SECTION A-A

FENCE ON MEDIAN
N.T.S.



COORDINATION NOTES:
- CONTRACTOR TO NOTE THAT OTHER WORKS UNDER SEPARATE CONTRACT WILL BE PERFORMED BEFORE, DURING AND FOLLOWING CONSTRUCTION UNDER THIS CONTRACT. WORK IS TO BE SCHEDULED TO ENSURE OTHER CONTRACTS IS NOT IMPEDED IN COMPLETION OF THEIR WORKS. SPECIFIC ITEMS OF COORDINATION INCLUDE, BUT ARE NOT LIMITED TO:
CONTRACT 6 CONTRACTOR TO CONSTRUCT PLATFORM PAVING INCLUDING UNIT PAVERS AND DETECTABLE PAVERS.
CONTRACT 6 CONTRACTOR TO CONSTRUCT PLANTING BEDS AND SUPPLY AND INSTALL PLANTING
CONTRACT 3 CONTRACTOR TO COMPLETE PLANTING AND ROCK INSTALLATION ADJACENT TO HARKNESS STATION
CONTRACT 5 CONTRACTOR TO CONSTRUCT PLANTER WALL, AND PLAZA PAVING AT OSBORNE STATION
- DATES FOR COMPLETION OF OTHER CONTRACTS AND CRITICAL DATES ARE TO BE COORDINATED WITH RESPECTIVE CONTRACTORS PRIOR TO START OF CONSTRUCTION.

LOCATION UNDERGROUND	APPROVED STRUCTURES	B.M. ELEV.	BM ELEV	DESIGNED BY	SR/JW				SOUTH WEST RAPID TRANSIT CORRIDOR - STAGE 1 STATION CONSTRUCTION, WARSAW RECONSTRUCTION, & ASSOCIATED WORKS	CITY DRAWING NUMBER	P-3325-23
SUPV. U/G STRUCTURES COMMITTEE	DATE			DRAWN BY	JW/MH					SHEET 23 OF 28	
NOTE: LOCATION OF UNDERGROUND STRUCTURES AS SHOWN ARE BASED ON THE BEST INFORMATION AVAILABLE. BUT NO GUARANTEE IS GIVEN THAT ALL EXISTING UTILITIES ARE SHOWN OR THAT THE GIVEN LOCATIONS ARE EXACT. CONFIRMATION OF EXISTENCE AND EXACT LOCATION OF ALL SERVICES MUST BE OBTAINED FROM THE INDIVIDUAL UTILITIES BEFORE PROCEEDING WITH CONSTRUCTION.				CHECKED BY	JW/SR		CONSULTANT PROJECT NO. 08-028	DETAILS (2 of 3)	CONSULTANT DRAWING NUMBER C7-L-5012-T		
				APPROVED BY	-	RELEASED FOR CONSTRUCTION ORIGINAL SIGNED BY RANDY FINGAS DATE: APRIL 20, 2011					
				HOR. SCALE	AS NOTED						
				VERTICAL	2011-04-20						
				NO. REVISIONS							
				DATE							
				BY							