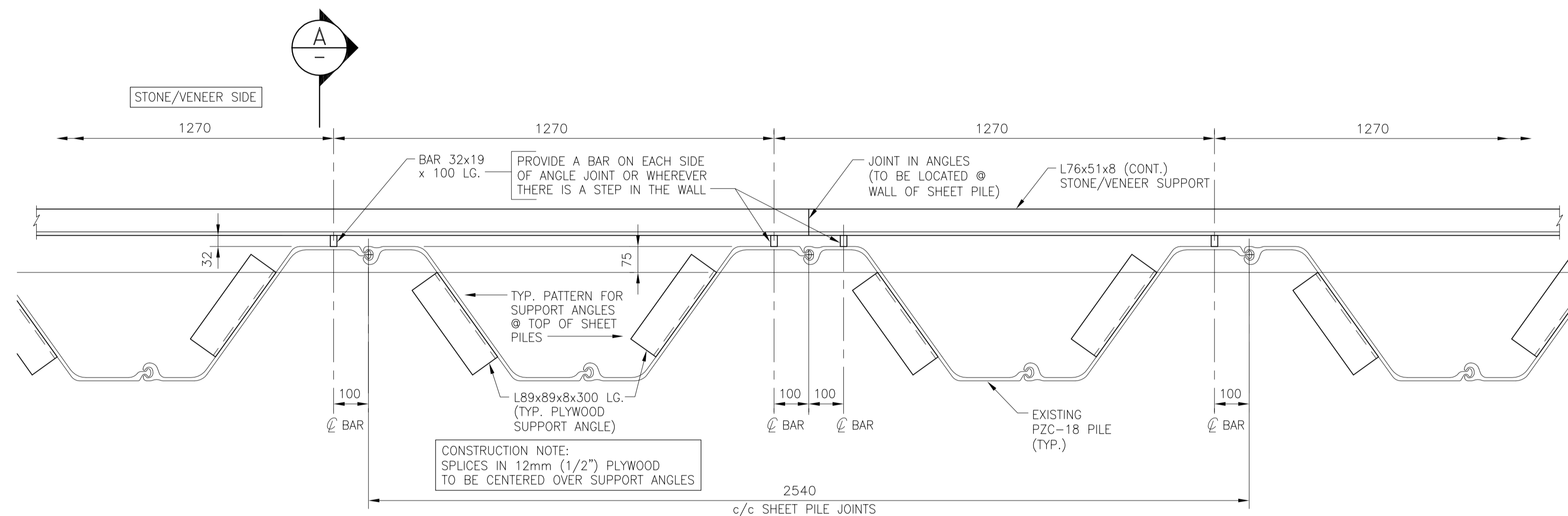
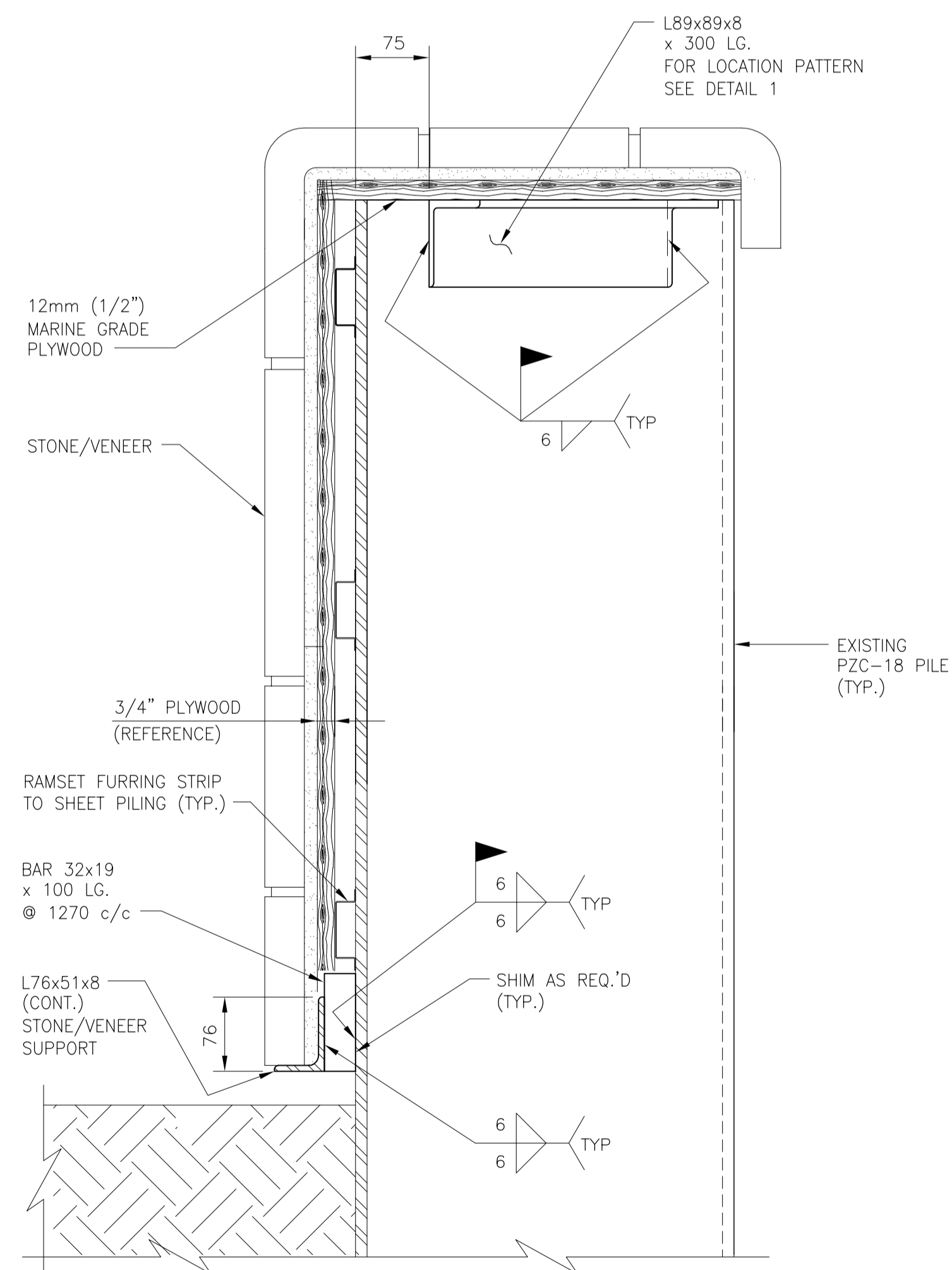


LOCATION PLAN - TYPICAL SUPPORTS FOR WALL FACADE (EXCEPT CANOPY AREA)

SCALE: 1:50



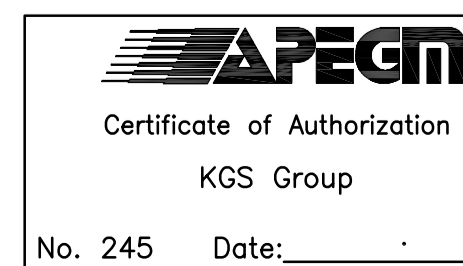
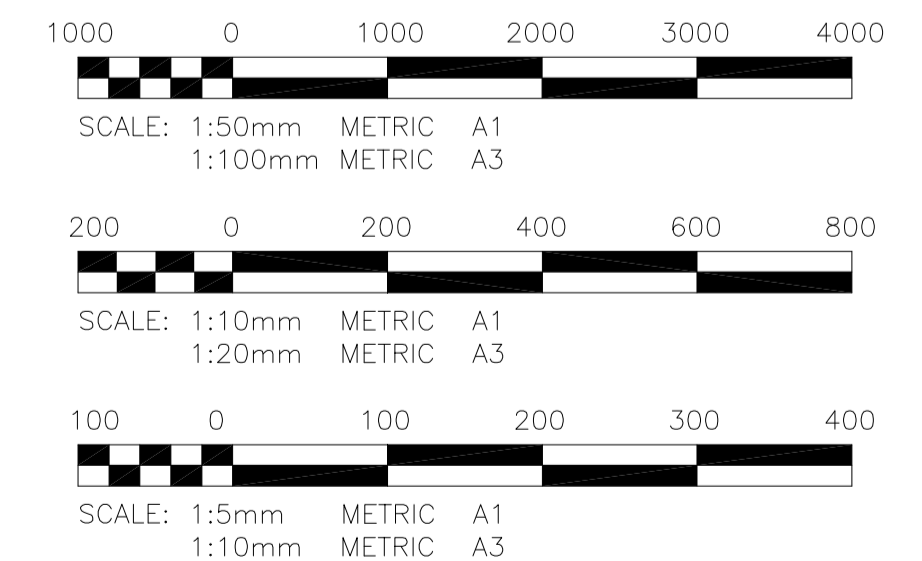
1 DETAIL  
SCALE: 1:10



A SECTION  
SCALE: 1:5

FOR NOTES SEE SHEET 25

NOTE:  
ALL STRUCTURAL AND MISCELLANEOUS STEEL SHOWN ON THIS DRAWING IS TO BE GALVANIZED.



LOCATION UNDERGROUND APPROVED STRUCTURES	B.M. ELEV.	DESIGNED BY	RJL
SUPV. U/G STRUCTURES COMMITTEE	DATE	DRAWN BY	JF
NOTE: LOCATION OF UNDERGROUND STRUCTURES AS SHOWN ARE BASED ON THE BEST INFORMATION AVAILABLE. BUT NO GUARANTEE IS GIVEN THAT ALL EXISTING UTILITIES ARE SHOWN OR THAT THE GIVEN LOCATIONS ARE EXACT. CONFIRMATION OF EXISTENCE AND EXACT LOCATION OF ALL SERVICES MUST BE OBTAINED FROM THE INDIVIDUAL UTILITIES BEFORE PROCEEDING WITH CONSTRUCTION.		CHECKED BY	-
		APPROVED BY	-
		HOR. SCALE	AS NOTED
		VERTICAL	
1 ISSUED FOR TENDER	11/04/20	RELEASED FOR CONSTRUCTION ORIGINAL SIGNED BY	RANDY FINGAS
NO. REVISIONS	DATE	DATE	2011-04-15

DESIGNED BY	RJL
DRAWN BY	JF
CHECKED BY	-
APPROVED BY	-
HOR. SCALE	AS NOTED
VERTICAL	
RELEASED FOR CONSTRUCTION ORIGINAL SIGNED BY	RANDY FINGAS
DATE	2011-04-15

DESIGNED BY	RJL
DRAWN BY	JF
CHECKED BY	-
APPROVED BY	-
HOR. SCALE	AS NOTED
VERTICAL	
RELEASED FOR CONSTRUCTION ORIGINAL SIGNED BY	RANDY FINGAS
DATE	2011-04-15

**KGS GROUP**  
CONSULTING ENGINEERS

**DILLON CONSULTING**

RELEASED FOR CONSTRUCTION ORIGINAL SIGNED BY  
**RANDY FINGAS**  
DATE: 2011-04-20

LANDSCAPE ARCHITECT'S SEAL

PROVINCE OF MANITOBA REGISTERED PROFESSIONAL ENGINEER

**R.J. LONG**

CONSULTANT PROJECT NO.  
11-0163-01

**THE CITY OF WINNIPEG**  
TRANSIT DEPARTMENT

**Winnipeg**

SOUTHWEST RAPID TRANSIT CORRIDOR - STAGE 1  
STATION CONSTRUCTION, WARSAW RECONSTRUCTION, & ASSOCIATED WORKS

CITY DRAWING NUMBER  
P-3325 - 26

SHEET OF  
26 OF 28

CONSULTANT DRAWING NUMBER  
C7-L-5015-T

HARKNESS RETAINING WALL  
CAP AND STONE / VENEER SUPPORT DETAILS