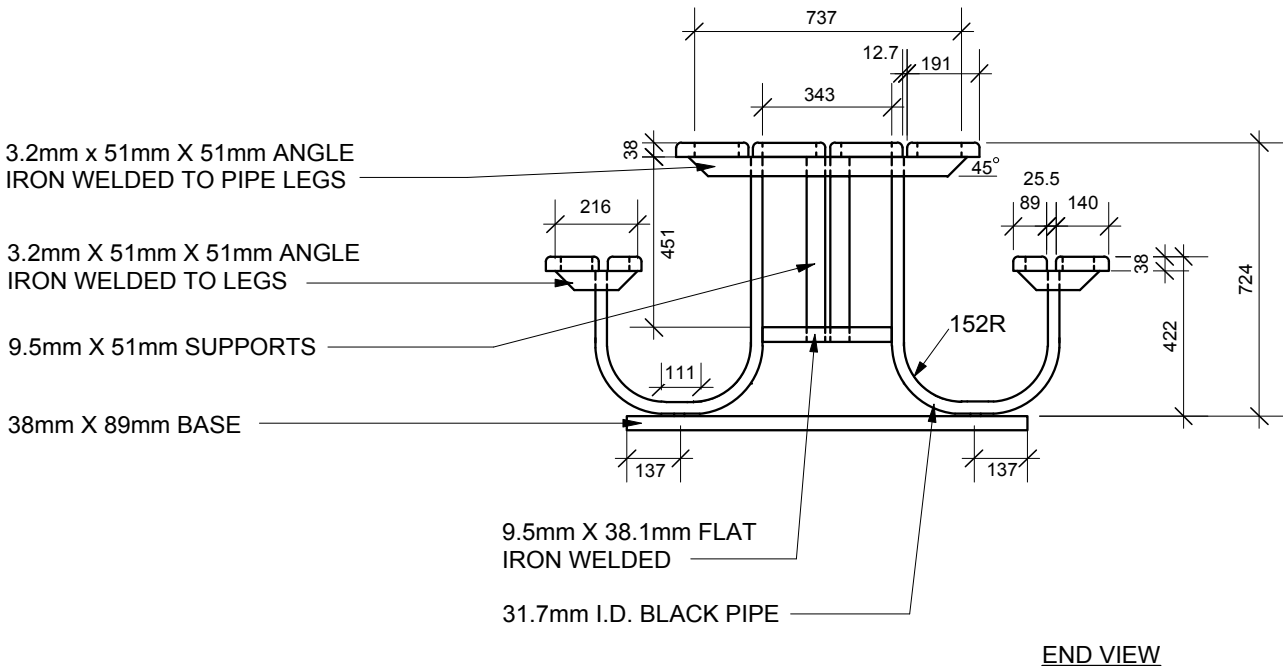
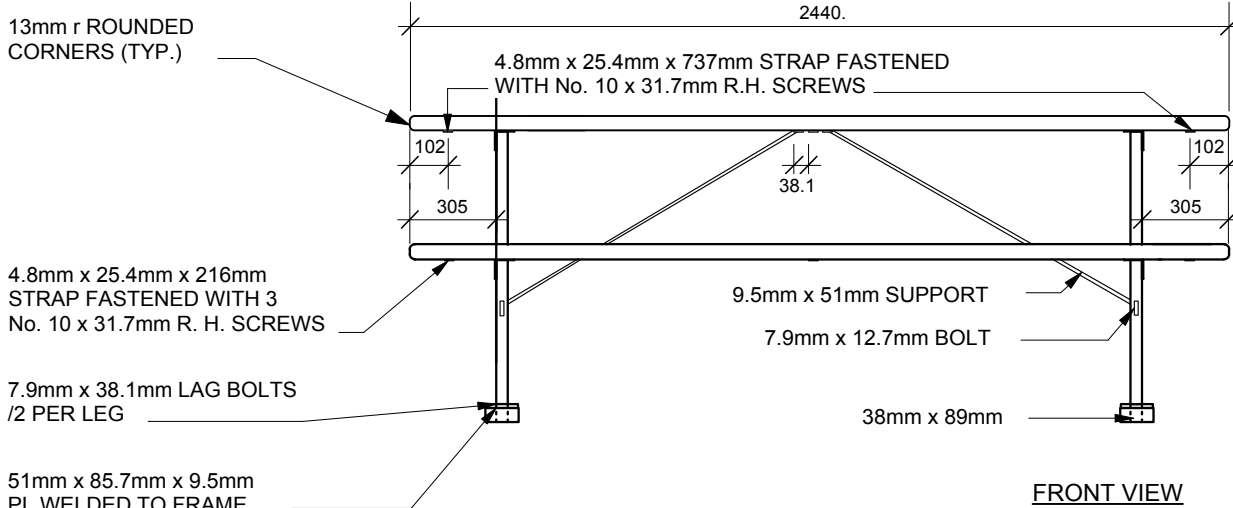


Drawing Title:

# TACHE STYLE METAL FRAME PICNIC TABLE

Drawing No:

## SCD-130



**MATERIALS:**  
 WOOD - VERTICAL GRAIN CLEAR SITCA SPRUCE OR B.C. RED CEDAR.  
 FINISH - SIKKENS CETOL No. 078 NATURAL  
 METAL - GALVANIZED

**NOTE:**  
 ALL WOOD TO BE FASTENED TO ANGLE IRONS WITH 7.9mm X 38.1mm LAG BOLTS.

DIMENSIONS SHOWN ARE IN MILLIMETRES UNLESS OTHERWISE SPECIFIED

DATE: MAY 2011  
 SCALE: N.T.S.  
 DRAWN BY: SV

The City of Winnipeg  
 Planning, Property and Development Department  
 Parks, Waterways & Community Initiatives Division  
 Unit 15 - 30 Fort Street, Winnipeg, MB, R3C 4X5

