

SUMMARY OF ELECTRICAL WORK

1. PATHWAY LIGHTING IS TO BE INSTALLED FOR DORGE PARK. THE LIGHTING WILL CONSIST OF 2 x 100W HPS POST TOP LUMINAIRES INSTALLED ADJACENT TO THE PATHWAY. CONTRACTOR SHALL BE RESPONSIBLE FOR LIAISING WITH MANITOBA HYDRO FOR THE INSTALLATION OF A CUSTOMER SERVICE POINT AT SOUTH EAST CORNER (METER) OF THE PROPERTY.
MANITOBA HYDRO CONTACT Shawn Carson ph 360-5745 cell 941-3853
2. POST TOP LUMINAIRES TO BE VANDAL-RESISTANT SDL LIGHTING: VP80-LR-100S-120/240-H11-PC/BG. LUMINAIRES TO BE MOUNTED ON 6.1 METER STEEL POLES. REFER TO POLE DETAIL 3 E-2. POLES TO BE INSTALLED ON POURED CONCRETE BASES REFER TO DETAIL 3 E-2. NOTE THAT BASE TO EXTEND 50mm ABOVE GRADE.
3. THE CONTRACTOR SHALL BE RESPONSIBLE FOR ALL COSTS AND PROVIDE ALL REQUIREMENTS OF MANITOBA HYDRO TO PROVIDE A 120/240V 100A CUSTOMER SERVICE POINT.
4. ALL LUMINAIRE LOCATIONS TO BE CONFIRMED BY CONTRACT ADMINISTRATOR (DNN BUUS) PRIOR TO COMMENCING WORK.
5. THE CONTRACTOR SHALL INFORM THE CONTRACT ADMINISTRATOR AT LEAST FIVE DAYS IN ADVANCE OF POURING THE BASES TO ALLOW THE CONTRACT ADMINISTRATOR TO VERIFY LOCATIONS AND WITNESS PROCESSES. THE CONTRACTOR TO ALSO INFORM THE CONTRACT ADMINISTRATOR AT LEAST FIVE DAYS IN ADVANCE OF THE TRENCHING TO ALLOW THE CONTRACT ADMINISTRATOR TO WITNESS THE PROCESS.
6. ALL DIMENSIONS IN METERS UNLESS INDICATED OTHERWISE.

TRENCHING

CONTRACTOR TO PROVIDE TRENCHING REQUIRED TO POWER ALL LUMINAIRES. DEPTH TO BE MINIMUM 600mm PER ELECTRICAL CODE. WIRING TO BE DIRECT-BURY RWUJ. PROVIDE MINIMUM 150mm SAND ABOVE AND BELOW WIRING. MAINTAIN ACCURATE LOCATIONS OF TRENCHING FOR INCLUSION ON AS-BUILT DRAWINGS. CONTRACTOR TO COORDINATE TRENCHING WITH CONTRACT ADMINISTRATOR AND OTHER ON SITE CONTRACTORS COMPLETING LANDSCAPE WORK. CONTRACTOR TO PROVIDE SOIL COMPACTION TO 95% PROCTOR DENSITY. RE-SDS AS REQUIRED IN ACCORDANCE WITH THE CITY OF WINNIPEG STANDARD CONSTRUCTION SPECIFICATIONS C/W 3510 TO RETURN AREA TO ORIGINAL CONDITION.

GENERAL

1. THE ELECTRICAL SYSTEM SHALL COMPLY WITH THE REQUIREMENTS OF THE LATEST EDITION OF THE CANADIAN ELECTRICAL CODE (CEC) AND WITH ALL PROVINCIAL AND MUNICIPAL LAWS, RULES AND ORDINANCES.
2. THE CONTRACTOR SHALL PROVIDE ALL MATERIALS, LABOUR AND EQUIPMENT NECESSARY FOR INSTALLING, TESTING AND PLACING IN INITIAL OPERATION THE COMPLETE ELECTRICAL SYSTEM.
3. EXAMINE ALL PLANS AND SPECIFICATIONS PERTAINING TO THIS CONTRACT. NOTIFY CONTRACT ADMINISTRATOR OF ERRORS OR OMISSIONS BEFORE SUBMITTING THE PRICE. FILING SUCH NOTIFICATION THIS CONTRACTOR SHALL MEET ALL SUCH REQUIREMENTS WITHOUT EXTRA COST TO THE CITY.
4. THE CONTRACTOR SHALL OBTAIN ALL NECESSARY PERMITS, PAY ALL NECESSARY FEES AND GIVE ALL NECESSARY NOTICES.
5. ALL WORK COMPLETED SHALL BE ACCOMPLISHED IN A FIRST CLASS & WORKMAN LIKE STYLE.
6. ALL EQUIPMENT SUPPLIED UNDER THIS CONTRACT SHALL BE NEW AND SHALL BE CSA AND LOCALLY APPROVED.
7. ALL WORK SHALL BE LAID OUT IN ITS MECHANICAL APPEARANCE. IT SHALL BE LOGICALLY ARRANGED FOR SIMPLICITY OF ACCESSIBILITY AND ELECTRICAL EFFICIENCY.
8. THE CONTRACTOR SHALL PROVIDE LAMACOID NAMEPLATES FOR ALL

3. THE CONTRACTOR SHALL PROVIDE THREE COPIES OF OPERATIONS & MAINTENANCE (O & M) MANUALS. THE O & M MANUALS SHALL BE IN ACCORDANCE WITH THE REQUIREMENTS OF TECHNICAL BULLETIN #15 ISSUED BY THE JOINT MAN/WCA COMMITTEE AND THE CONTRACT GENERAL CONDITIONS. THE CONTRACTOR SHALL SUBMIT ONE PRELIMINARY COPY PRIOR TO THE COMPLETION OF WORK, REVISE AS DIRECTED AND SUBMIT FINAL COPIES TO THE CONTRACT ADMINISTRATOR.

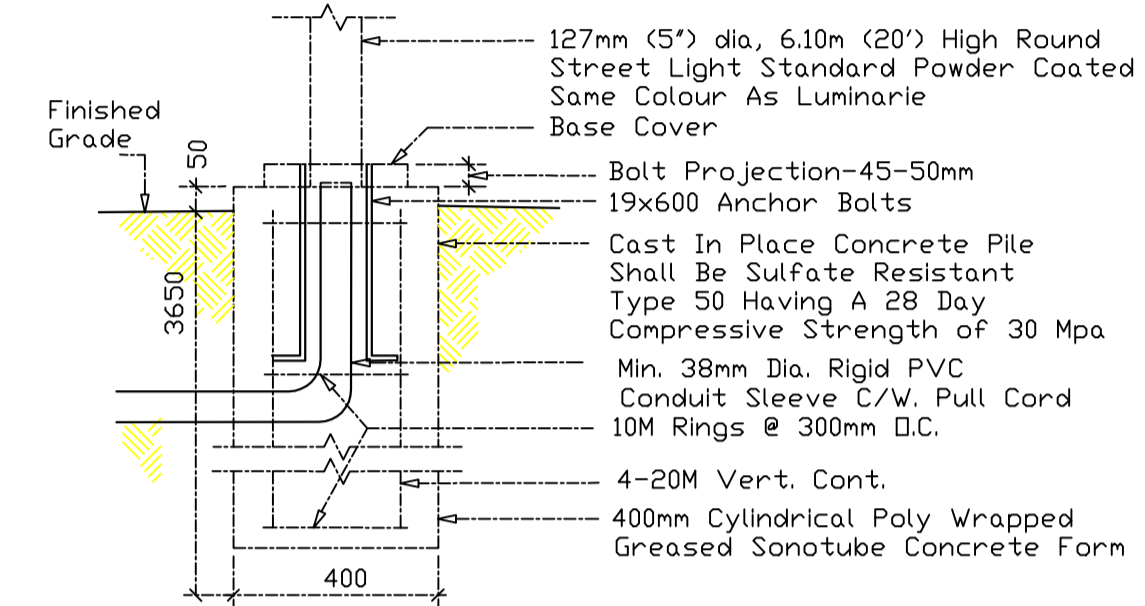
- LIGHTING**
1. PATHWAY LIGHTING SHALL CONSIST OF TWO (2) 100W 120V POST TOP LUMINAIRES MOUNTED ON 6.1 METER STEEL POLES.
 2. POST TOP LUMINAIRES SHALL MEET THE FOLLOWING CRITERIA: (A) CSA APPROVED OR ULC LISTED (B) SUITABLE FOR WET LOCATION (C) HEAVY-DUTY SPUN ALUMINUM HOUSING (D) CORROSION RESISTANT HARDWARE (E) HEAT AND SHOCK RESISTANT POLYCARBONATE LENS (F) LAMP SHALL BE 100W HPS (G) APPROVED POST TOP LUMINAIRE (H) VP80 LRS 100S 120/240 A11 PC BG SDL LIGHTING SYSTEMS (I) OR APPROVED EQUAL.

- LAYOUT**
1. THE CONTRACTOR SHALL LAYOUT ALL WORK, ESTABLISHING ALL LINES, LEVELS AND CENTRES AND SHALL ASSUME RESPONSIBILITY FOR ANY ERRORS RESULTING FROM FAILURE TO USE ADEQUATE CAUTION.

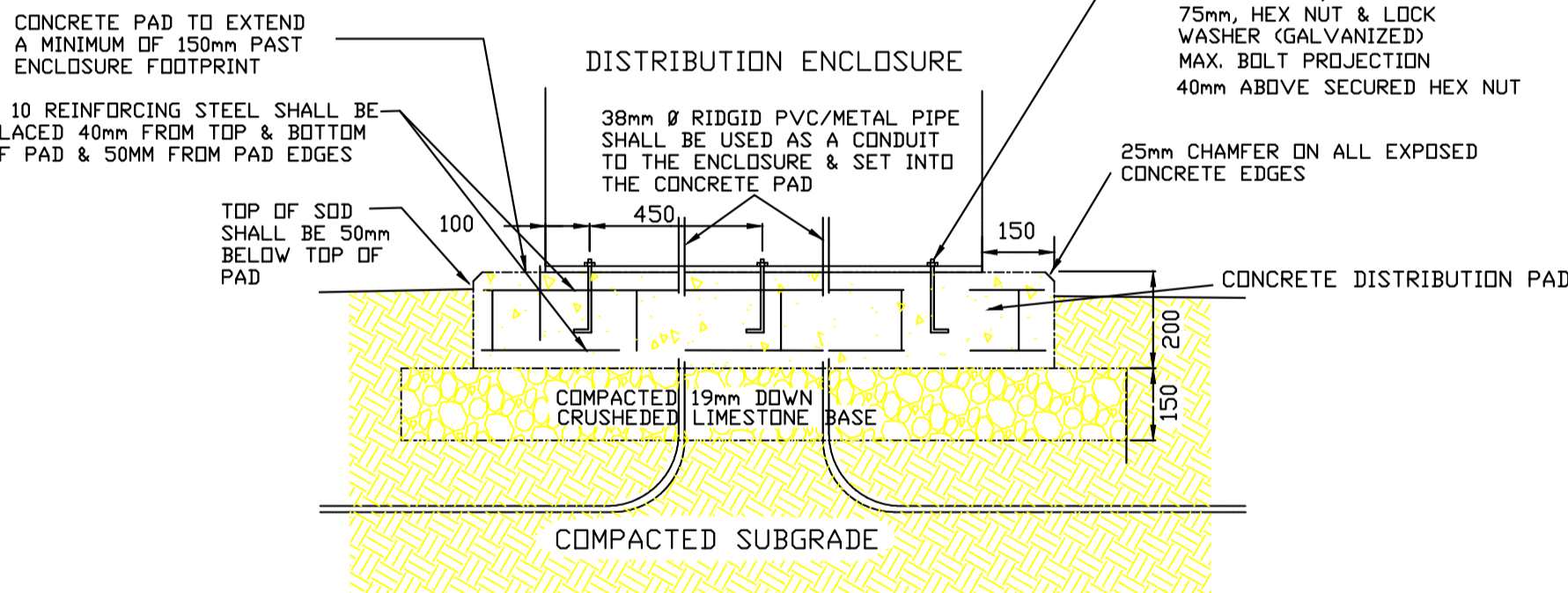
- POLES**
1. POLES TO BE 6.1 METERS (20') HIGH, STEEL AND TO BE PRIMED AND H11 TEXTURED BLUE.
 2. BASES TO BE POURED CONCRETE AS PER DETAIL 3 E-2.

- CUSTOMER SERVICE POINT**
1. THE CONTRACTOR SHALL BE RESPONSIBLE FOR ALL COSTS AND PROVIDE ALL REQUIREMENTS OF MANITOBA HYDRO TO PROVIDE A 120/240V 100A CUSTOMER SERVICE POINT.

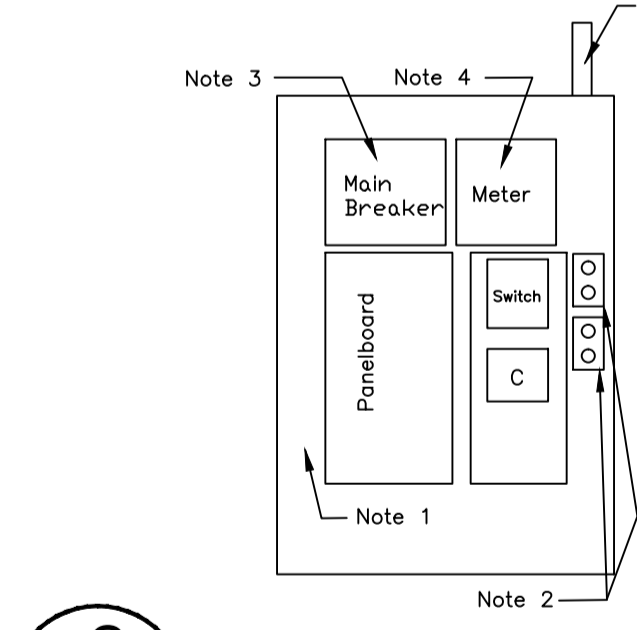
- DELIVERABLES**
1. THE CONTRACTOR SHALL MAINTAIN ONE SET OF PLANS AT JOB SITE WHICH HE SHALL CLEARLY NOTE ALL CHANGES OR DEVIATIONS FROM THE CONTRACT DOCUMENT AS THE JOB PROGRESSES. THE CONTRACTOR SHALL SUBMIT THREE SETS OF AS-BUILT DRAWINGS TO THE CONTRACT ADMINISTRATOR ON COMPLETION OF THE JOB.



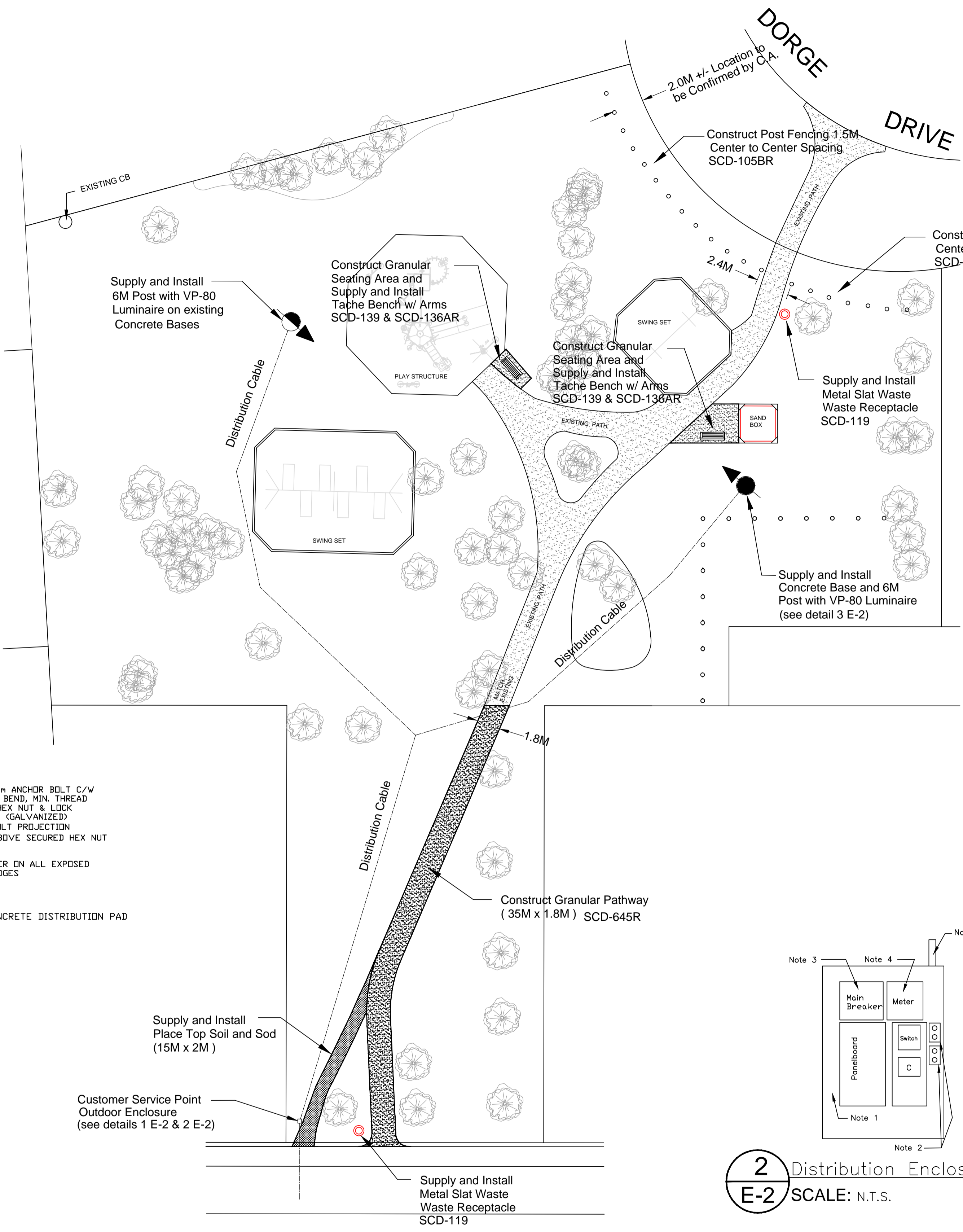
3 Lamp Standard Base Detail
E-2 SCALE: N.T.S.



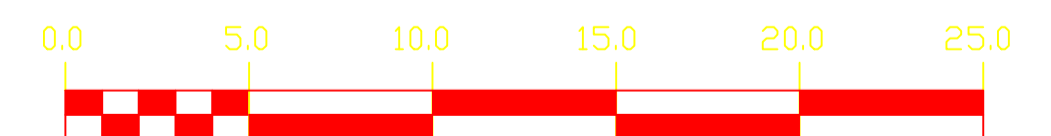
1 Distribution Pod Detail
E-2 SCALE: N.T.S.



2 Distribution Enclosure Layout
E-2 SCALE: N.T.S.



BOULEVARD VILLENEUVE



METRIC
WHOLE NUMBERS INDICATE MILLIMETRES
DECIMALIZED NUMBERS INDICATE METRES

WARNING
IF POWER EQUIPMENT OR EXPLOSIVES ARE TO BE USED FOR EXCAVATION ON THIS PROJECT THE CONTRACTOR MUST:
1) NOTIFY THE GAS COMPANY OF THE PROPOSED LOCATION OF EXCAVATION.
2) TAKE PRECAUTION TO AVOID DAMAGE TO GAS COMPANY INSTALLATIONS.
SEE PROVINCIAL REGULATION 210/72 FOR DETAILS

200 WM	WATERMAIN	200 WM	SL, HYDRD	150 WM	WATERMAIN	150 WM
⊕	HYDRANT	⊕	MTS	⊕	HYDRANT	⊕
⊕	VALVE	⊕	TRAFFIC SIGNALS	⊕	VALVE	⊕
525 LDS	LAND DRAINAGE SEWER	525 LDS	50 GAS	50 GAS	300 LDS	LAND DRAINAGE SEWER
375 WWS	WASTEWATER SEWER	375 WWS	⊕	⊕	250 WWS	WASTEWATER SEWER
○	MANHOLE	●	POLE TOP LUMINAIRES	⊕	TOP OF ASPHALT	○○○○
□	CATCH BASIN	■	EXIST. POLE TOP LUMINAIRES	⊕	TOP OF LIMESTONE BASE	○○○○
▽	CURB INLET	▽	PRDP. POLE & LUMINAIRE	⊕		
∠	REDUCER	∠	PRDP. BASE, POLE & LUMINAIRE	⊕		
⊕	COUPLER	⊕	BURIED LIGHT CABLE	⊕		
⊕	ANDDE	⊕	TREE	⊕		
EXISTING	LEGEND-PLAN	PROPOSED	EXISTING	LEGEND-PLAN	PROPOSED	EXISTING
				LEGEND-PROFILE		PROPOSED

LOCATION APPROVED UNDERGROUND STRUCTURES	B.M. ELEV.	FIELD BOOK #
SUPV. U/G STRUCTURES COMMITTEE		
DATE		
NOTE: LOCATION OF UNDERGROUND STRUCTURES AS SHOWN ARE BASED ON THE BEST INFORMATION AVAILABLE BUT NO GUARANTEE IS GIVEN THAT ALL EXISTING UTILITIES ARE SHOWN OR THAT THE GIVEN LOCATIONS ARE EXACT. CONFIRMATION OF EXISTENCE AND EXACT LOCATION OF ALL SERVICES MUST BE OBTAINED FROM THE INDIVIDUAL UTILITIES BEFORE PROCEEDING WITH CONSTRUCTION.		
NO. REVISIONS	DATE	BY

CITY OF WINNIPEG PARKS WATERWAYS AND COMMUNITY INITIATIVES	
DESIGNED BY: TB	CHECKED BY: RZ
DRAWN BY: TB	APPROVED BY: RZ
HOR. SCALE: 1:200	RELEASED FOR CONSTRUCTION
VERTICAL	DATE: APRIL 1, 2011

LANDSCAPE ARCHITECT'S/ENGINEER'S SEAL

THE CITY OF WINNIPEG
Planning, Property and Development Department
Parks, Waterways and Community Initiatives
Unit 15-30 Fort Street

Winnipeg

DORGE PARK
LIGHTING, PATHWAY AND
SITE IMPROVEMENTS

SHEET **2** OF **2**
CITY DRAWING NUMBER **D.16-B**

BID OPPORTUNITY
FILENAME:
PLOT DATE: