

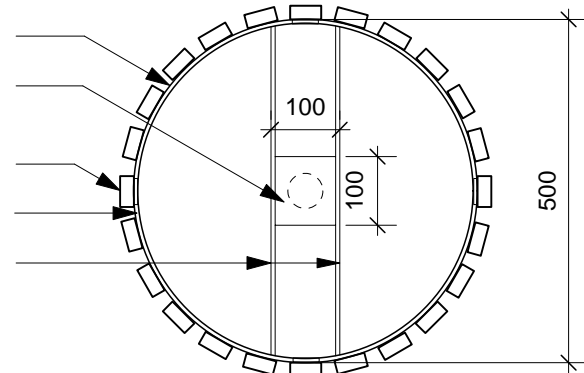
Drawing Title:

WASTE RECEPTACLE METAL SLAT TYPE

Drawing No:

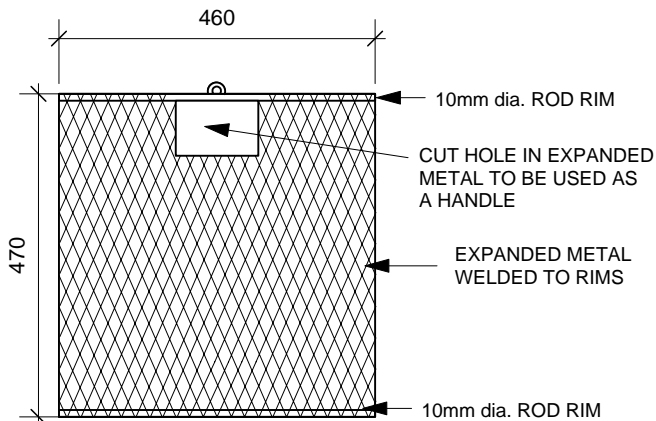
SCD-119

- 38mm x 6mm FLAT IRON (4 REQ'D) VERTICALS
- 13mm PLATE WELDED TO 51mm I.D. STANDARD PIPE LEG
- WELD 25 EQUALLY SPACED 20mm x 38mm STEEL TUBING WITH TOP CAPPED TO HOOPS
- 38mm x 6mm x 500mm O.D. HOOPS
- 2-38mm x 6mm FLAT IRON



PLAN

16mm I.D. LOOP OF 10mm dia. ROD WELDED TO TAKE PADLOCK

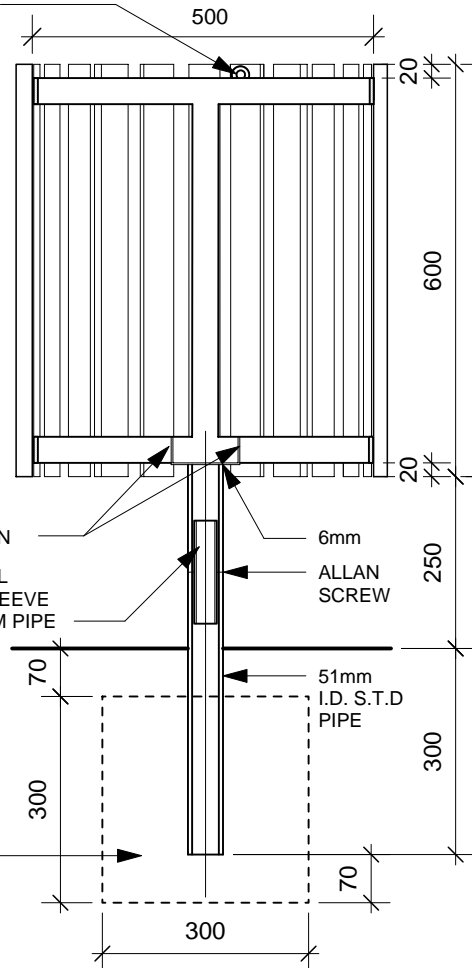


WIRE BASKET:

Product # 52501058

NOTE:

- METAL SLATS SHALL BE PRIMED WITH RUSTOLEUM No. 796, FINISH SHALL BE METAL PAINT, TO MATCH SPECIFIED BENCH COLOUR.
- METAL SHALL BE PRIMED WITH RUSTOLEUM No. 769, FINISH SHALL BE SAPOLIN BLACK WROUGHT FINISH.
- ALL DIMENSIONS ARE IN MILLIMETERS, EXCEPT WHERE NOTED.



CROSS SECTION

CONCRETE BASE

Metal Slat WR: Product # 52501062

DIMENSIONS SHOWN ARE IN MILLIMETRES UNLESS OTHERWISE SPECIFIED

DATE: August 30, 2002
 SCALE: N.T.S.
 DRAWN BY: SV/VC

The City of Winnipeg
 Planning, Property and Development Department
 Planning and Land Use Division
 Unit 15 - 30 Fort Street, Winnipeg, MB, R3C 4X5

