

01
 G501-AA, G503-AA, OR
 G504-AH ALARM
 1-0102G-G-A0071

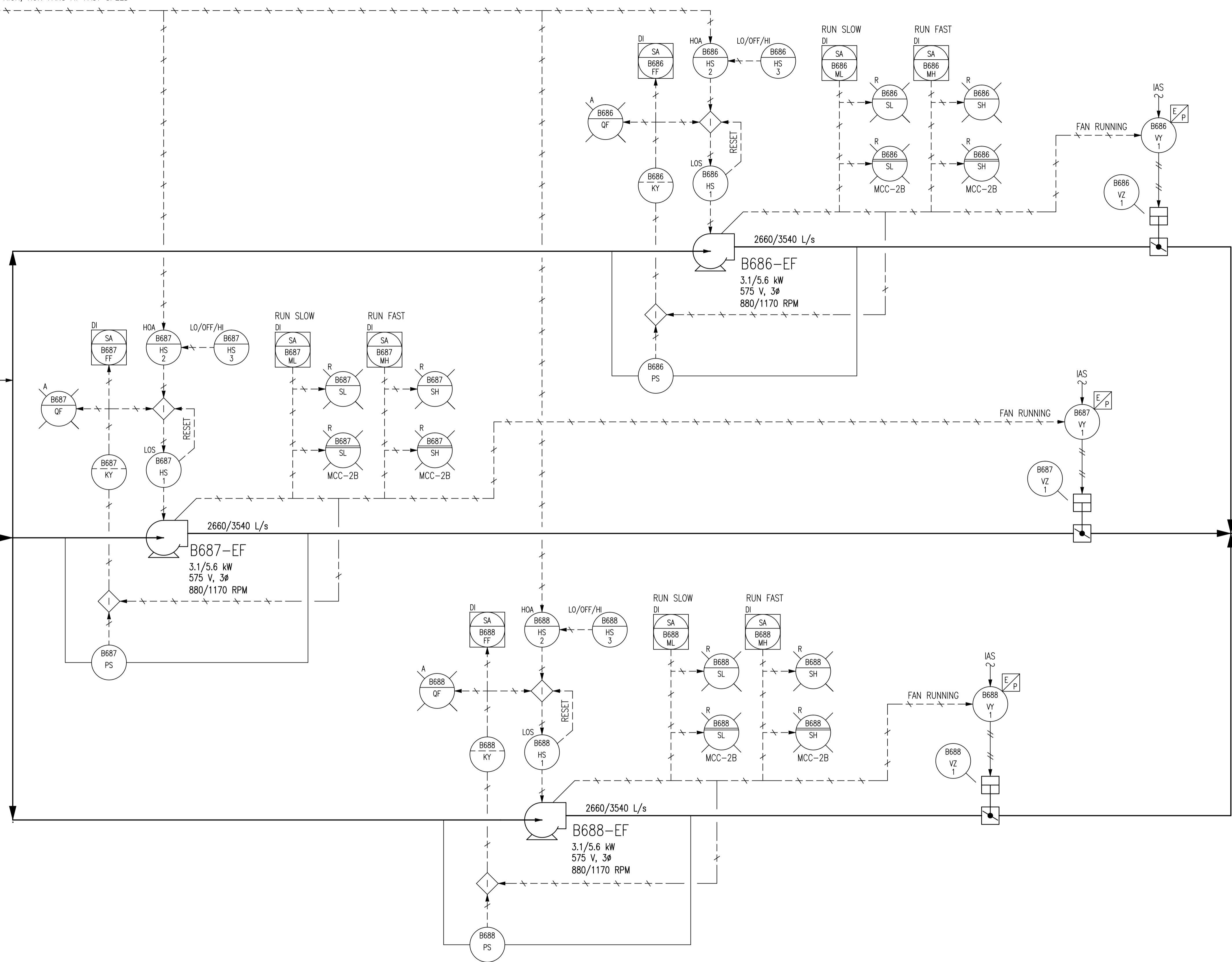
GAS LEVELS HIGH, RUN FANS AT FAST SPEED

FROM SERVICE BUILDING
 WORKSHOP WASHROOM
 EXHAUST FAN
 1-0102B-G-A0024

FROM GRIT
 TANK AREA AIR

1400Ø AIR → TO ODOR CONTROL
 STACK

FROM FUTURE GRIT
 TANK FANS



NOTES:

1. ALL DEVICES SHOWN IN A PRIMARY LOCATION ARE IN FDP-G.

LAST SAVE: 2011/03/29 - 2:34pm
 PATH: M:\112577\0106\4ENG\48&C\DD - General DWG\1-0102B-A0020-001-01.DWG

1-0102A-D-A0001	PROCESS & INSTRUMENT DIAGRAMS LEGEND & DETAILS
DRAWING NUMBER	REFERENCE DRAWINGS

NO.	REVISIONS	DATE	DESIGN	CHECK
01	MODIFIED GAS ALARM SIGNAL	2011/03/11	TMC	CJR
00	ISSUED FOR CITY USE	2007/02/26	EFB	CJR

SNC-LAVALIN INC. 148 Nature Park Way Winnipeg, MB, Canada R3P 0X7 204-786-8080	
DESIGNED BY: EXISTING	CHECKED BY: EFB
DRAWN BY: EFB	APPROVED BY: CJR
SCALE: NTS	RELEASED FOR CONSTRUCTION BY: N. HARRINGTON DATE: 2011/03/11
DATE: 2005/11/09	DATE: 2011/03/11
CONSULTANT NO.: 112577-0106-49DD-0008	

ENGINEER'S SEAL
 ORIGINAL DRAWING
 SEALED BY:
 T. M. CHURCH
 SNC-LAVALIN
 MEMBER #32682
 2011/03/25
 REV. 01
 CHANGES ONLY

THE CITY OF WINNIPEG
 WATER AND WASTE DEPARTMENT
 SOUTH END WATER POLLUTION CONTROL CENTRE
 SERVICE BUILDING
 SNC-LAVALIN
 PROCESS & INSTRUMENTATION DIAGRAM
 GRIT TANK EXHAUST FANS
 B686-EF, B687-EF & B688-EF

CITY DRAWING NUMBER	SHEET	REV.	SIZE
1-0102B-A0020	001	01	A1