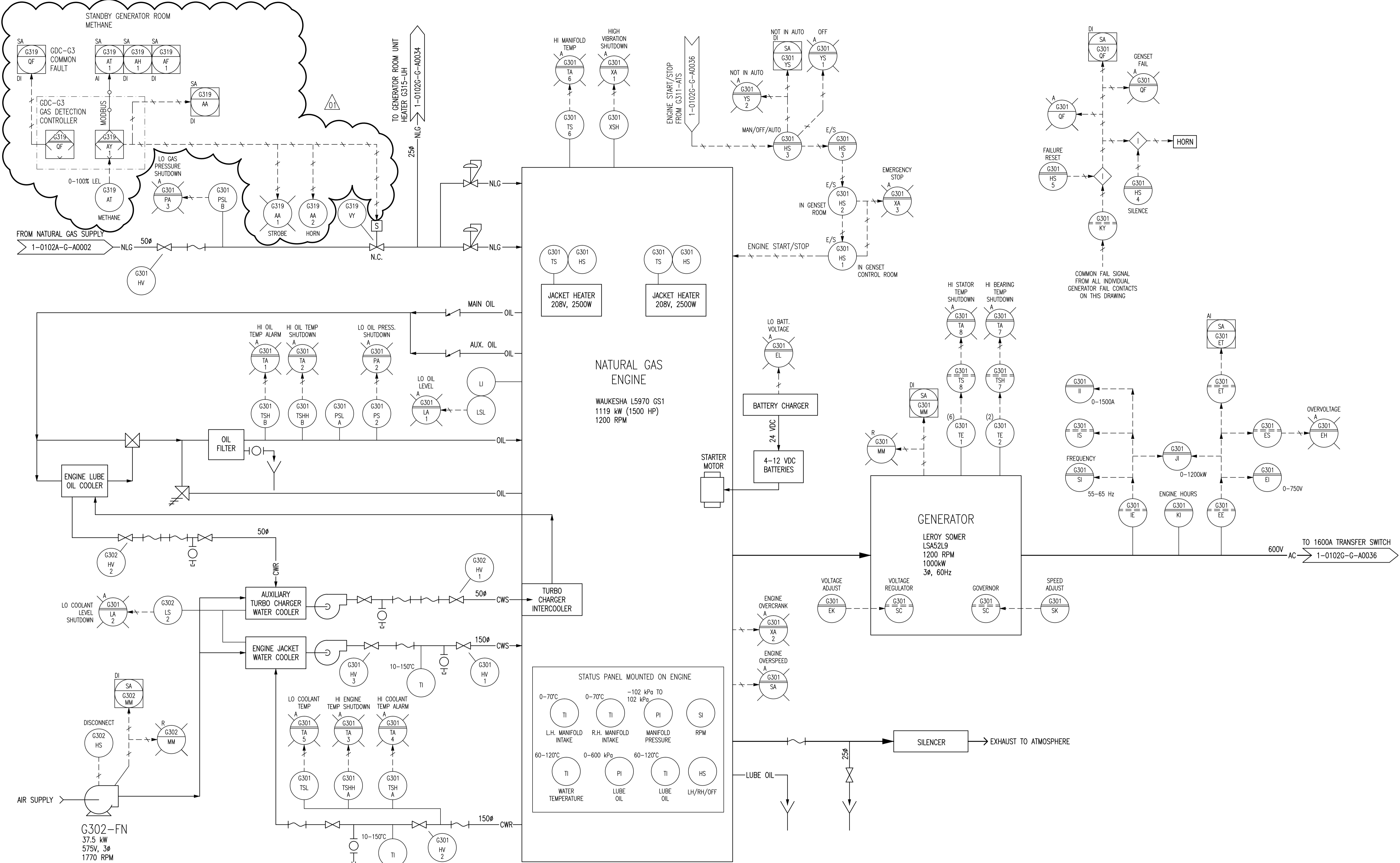


AI SIZE - 594mm x 841mm

LAST SAVE: 2011/03/29 - 2:28pm
PATH: M:\112577\0106\4ENG\488C\DD - General DWG\1-0102G-A0035-001-01.dwg



- NOTES:**
- THIS DRAWING SUPERSEDES PART OF DRAWINGS SEP-888 & SEP-889.
 - ALL INSTRUMENTS SHOWN IN AN AUXILIARY LOCATION ARE LOCATED IN THE GENERATOR CONTROL PANEL GCP-5 UNLESS OTHERWISE INDICATED.

1-0102A-D-A0001	PROCESS & INSTRUMENT DIAGRAMS LEGEND & DETAILS
DRAWING NUMBER	REFERENCE DRAWINGS

NO.	REVISIONS	DATE	DESIGN	CHECK
01	MODIFIED GAS DETECTION	2011/03/11	TMC	CJR
00	ISSUED FOR CITY USE	2006/11/28	-	EFB

		SNC-LAVALIN INC. 148 Nature Park Way Winnipeg, MB, Canada R3P 0X7 204-786-8080	
DESIGNED BY:	EXISTING	CHECKED BY:	EFB
DRAWN BY:	DAH/EFB	APPROVED BY:	CJR
SCALE:	NTS	RELEASED FOR CONSTRUCTION BY:	N. HARRINGTON
DATE:	2005/11/14	DATE:	2011/03/11
CONSULTANT NO.:	112577-0106-49DD-0005		

ENGINEER'S SEAL

ORIGINAL DRAWING SEALED BY:
T. M. CHURCH
SNC-LAVALIN
MEMBER #32682
2011/03/25
REV. 01
CHANGES ONLY

THE CITY OF WINNIPEG
 WATER AND WASTE DEPARTMENT

SOUTH END WATER POLLUTION CONTROL CENTRE
 PUMP & SCREEN BUILDING
 PROCESS & INSTRUMENTATION DIAGRAM
 1000 kW NATURAL GAS GENSET

CITY DRAWING NUMBER	SHEET	REV.	SIZE
1-0102G-A0035	001	01	D