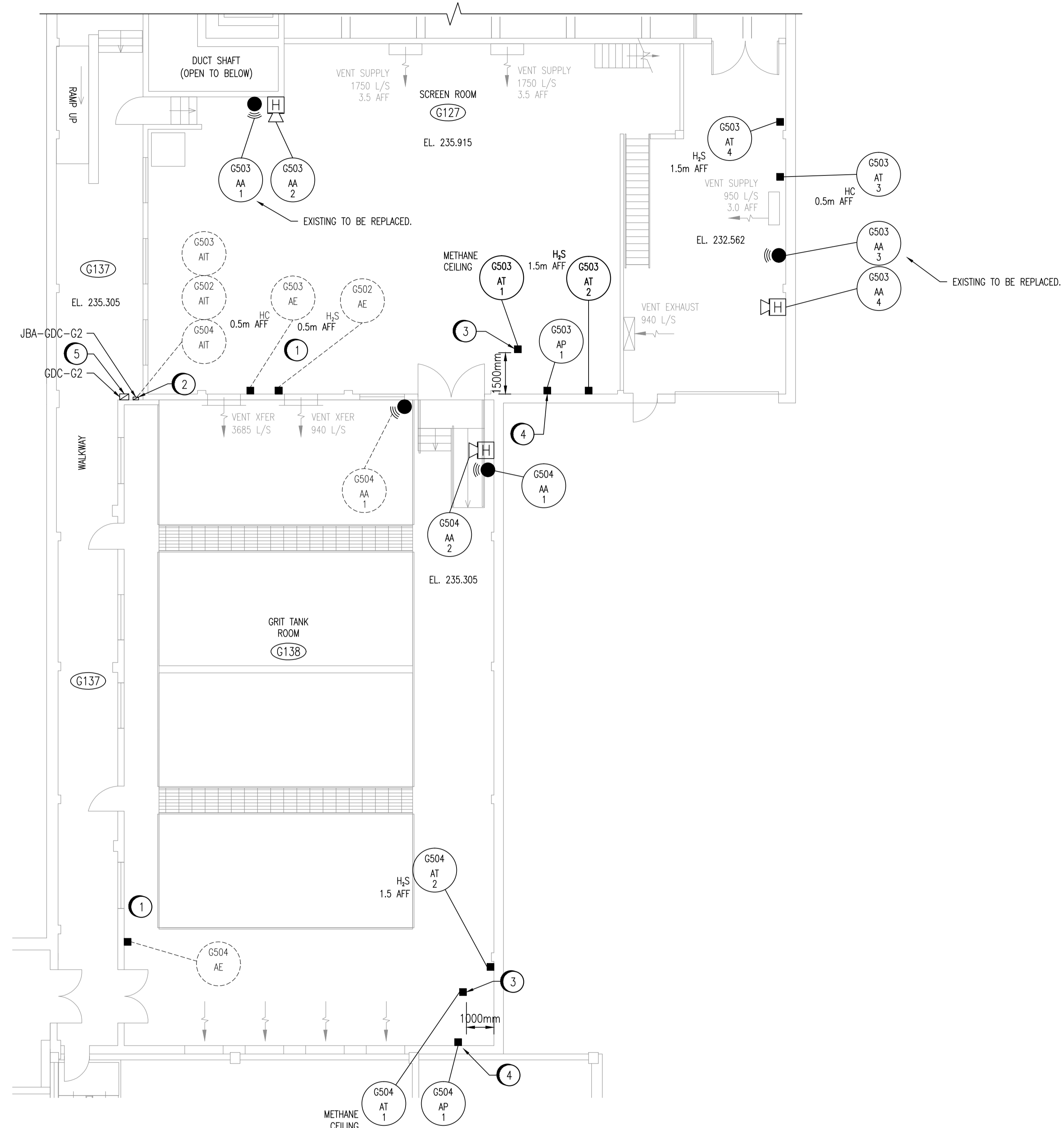


CONSTRUCTION NOTES

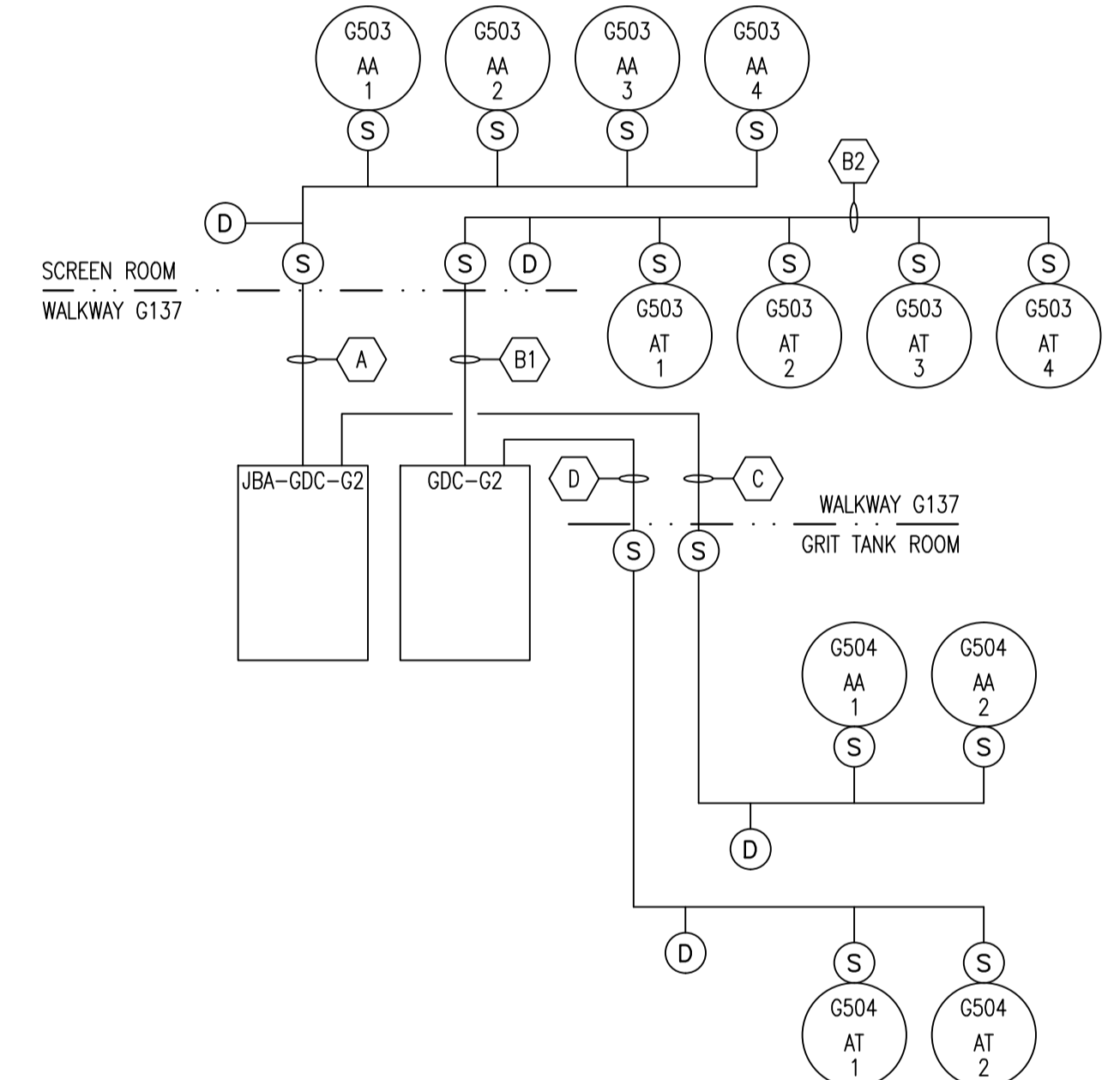
- 1 REMOVE EXISTING GAS DETECTION SENSORS AND ALL ASSOCIATED WIRING.
- 2 REMOVE EXISTING GAS DETECTION CONTROLLERS AND ALL ASSOCIATED WIRING.
- 3 MOUNT ON CEILING BEAM. SEE DETAIL A ON DRAWING 1-0102A-A0004.
- 4 INSTALL REMOTE CALIBRATION POINT. SEE DETAIL B ON DRAWING 1-0102A-A0004.
- 5 INSTALL NEW GAS DETECTION CONTROLLER AND JUNCTION BOX. LOCATE SO AS TO BE ABLE TO REUSE WIRING TO FDP-G.



GRIT BUILDING - MAIN FLOOR
EL. 235.3

ID	GAS DETECTED	HEIGHT	INSTALLATION DETAIL	NOTES
G503-AT01	METHANE	CEILING	1-0102A-A0004	
G503-AT02	H ₂ S	1.5m AFF	1-0102A-A0005	
G503-AT03	HC	0.5m AFF	1-0102A-A0005	
G503-AT04	H ₂ S	1.5m AFF	1-0102A-A0005	
G504-AT01	METHANE	CEILING	1-0102A-A0004	
G504-AT02	H ₂ S	1.5m AFF	1-0102A-A0005	

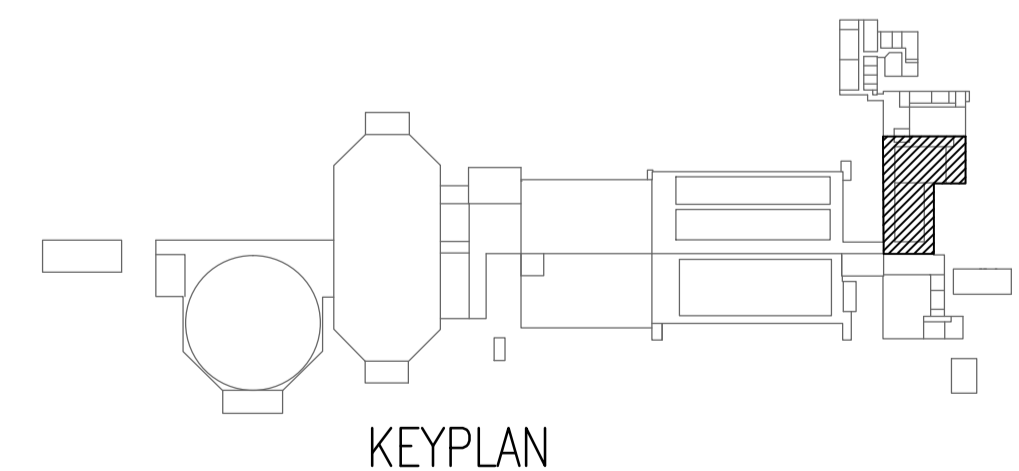
TYPE	SIZE	CABLES	NOTES
A	21mm	2C, 14 AWG, RW90	
B1	27mm	4x 1TR, 18 AWG, CIC	
B2	21mm	2x 1TR, 18 AWG, CIC	
C	21mm	2C, 14 AWG, RW90	
D	21mm	2x 1TR, 18 AWG, CIC	



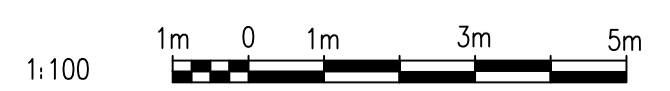
CONDUIT RISER DIAGRAM

- LEGEND:**
- EXISTING EQUIPMENT TO BE REMOVED
 - [H] HORN
 - STROBE
 - (S) HAZARDOUS SEAL
 - (D) CONDUIT DRAIN

- NOTES:**
1. INSTALL CONDUIT DRAINS IN THE LOW POINT OF EACH CONDUIT RUN.



KEYPLAN



NO.	REVISIONS	DATE	DESIGN	CHECK
00	ISSUED FOR TENDER, BID OPP. 209-2011	2011/03/11	TMC	CJR

SNC-LAVALIN INC.
148 Nature Park Way
Winnipeg, MB, Canada R3P 0X7
204-786-8080

DESIGNED BY: T. CHURCH
CHECKED BY: C. REIMER
DRAWN BY: T. CHURCH
APPROVED BY: C. REIMER
SCALE: 1:100
RELEASED FOR CONSTRUCTION BY: N. HARRINGTON
DATE: 2009/07/06
DATE: 2011/03/11
CONSULTANT NO.: 112577-0106-4800-1202

ENGINEER'S SEAL
ORIGINAL DRAWING SEALED BY:
T. M. CHURCH
SNC-LAVALIN
MEMBER #32682
2011/03/25
REV. 00

THE CITY OF WINNIPEG
WATER AND WASTE DEPARTMENT

SOUTH END WATER POLLUTION CONTROL CENTRE
ESSENTIAL SYSTEM UPGRADES
INSTRUMENT LOCATION PLAN
GAS DETECTION - SCREEN ROOM & GRIT TANK ROOM

CITY DRAWING NUMBER: 1-0102G-A0046
SHEET: 001
REV: 00
SIZE: A1