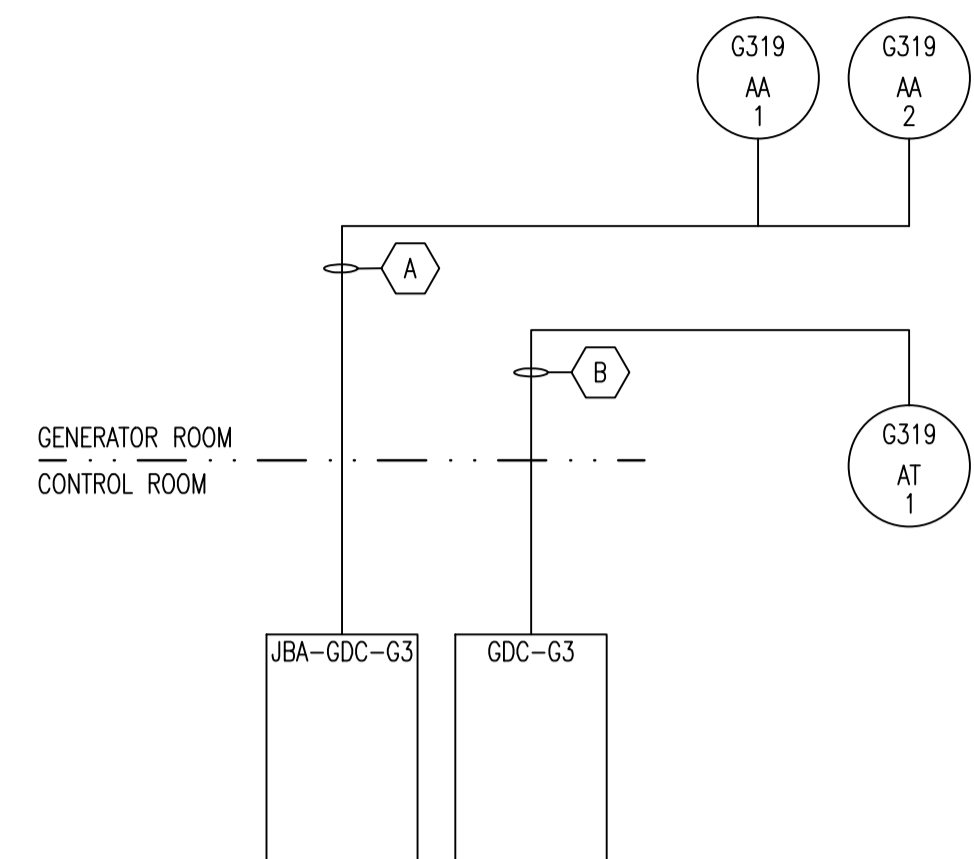


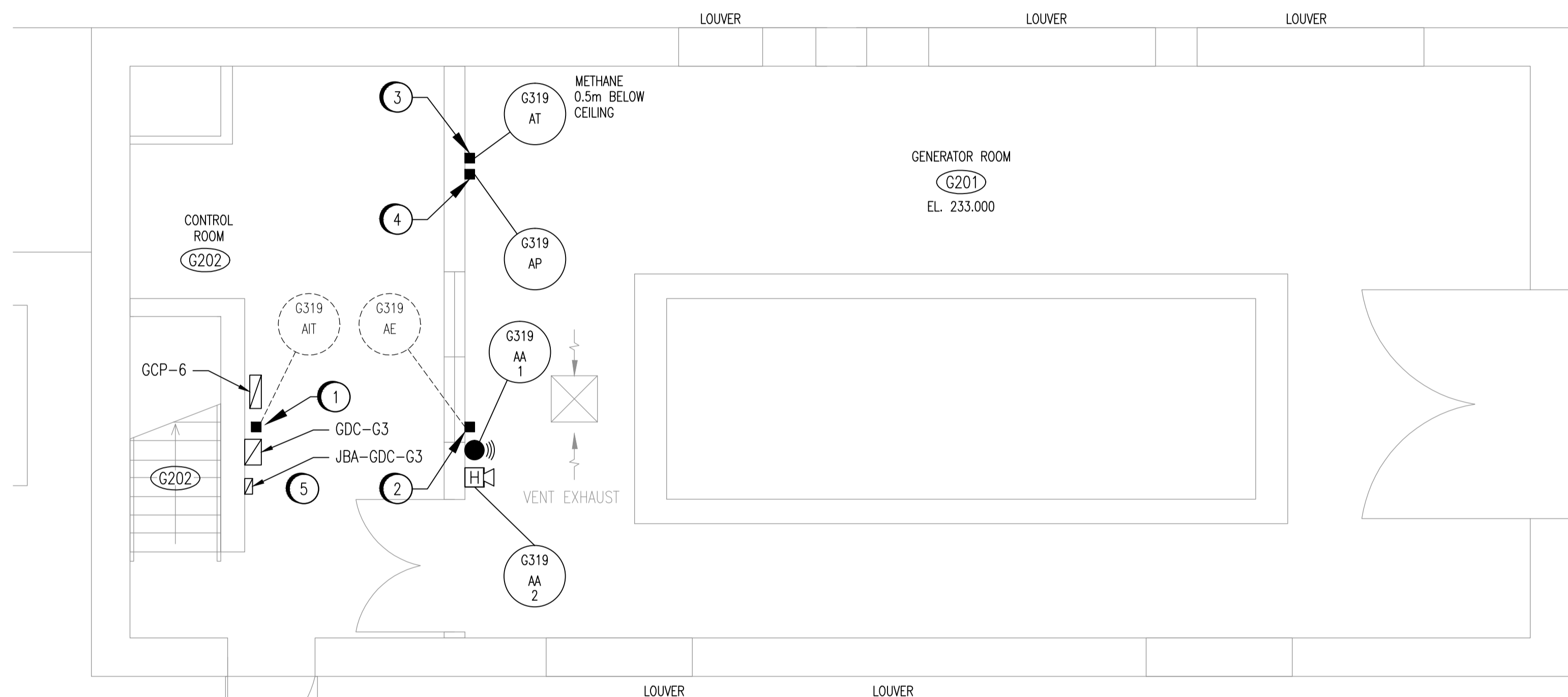
DETECTOR SCHEDULE				
ID	GAS DETECTED	HEIGHT	INSTALLATION DETAIL	NOTES
G319-AT01	METHANE	0.5m BELOW CEILING	1-0102A-A0004	

CONDUIT & WIRE SCHEDULE			
TYPE	SIZE	CABLES	NOTES
A	21mm	2C, 14 AWG, RW90	
B	21mm	1TR, 18 AWG, CIC	

CONSTRUCTION NOTES	
1	REMOVE EXISTING GAS DETECTION CONTROLLER, AND ALL ASSOCIATED WIRING.
2	REMOVE EXISTING GAS DETECTOR AND ALL ASSOCIATED WIRING.
3	MOUNT DETECTOR ON WALL 0.5M FROM CEILING. SEE TYPICAL DETAIL C ON DRAWING 1-0102A-A0004.
4	INSTALL REMOTE CALIBRATION PONT. SEE TYPICAL DETAIL B ON DRAWING 1-0102A-A0004.
5	INSTALL NEW GAS DETECTION CONTROLLER AND JUNCTION BOX.

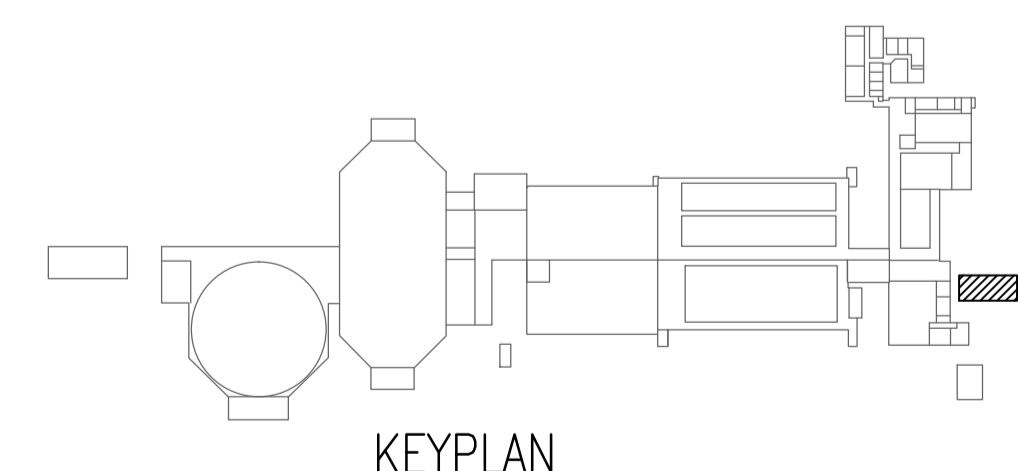


CONDUIT RISER DIAGRAM



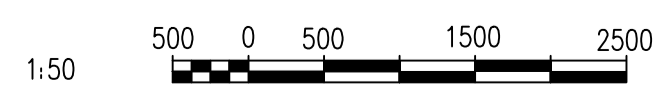
STANDBY GENERATORS BUILDING
EL. 233.0

- LEGEND:**
- EXISTING EQUIPMENT TO BE REMOVED
 - [H] HORN
 - STROBE
 - ⊙ HAZARDOUS SEAL
 - ⊔ CONDUIT DRAIN



KEYPLAN

1-0102G-E0014	ELECTRICAL CLASSIFICATION PLAN
DRAWING NUMBER	REFERENCE DRAWINGS



NO.	REVISIONS	DATE	DESIGN	CHECK
00	ISSUED FOR TENDER, BID OPP. 209-2011	2011/03/11	TMC	CJR

SNC-LAVALIN INC.
148 Nature Park Way
Winnipeg, MB, Canada R3P 0X7
204-786-8080

DESIGNED BY: T. CHURCH
DRAWN BY: S. COATES
SCALE: 1:50
DATE: 2009/11/02

CHECKED BY: C. REIMER
APPROVED BY: C. REIMER
RELEASED FOR CONSTRUCTION BY: N. HARRINGTON
DATE: 2011/03/11

CONSULTANT NO.: 112577-0106-480D-1203

ENGINEER'S SEAL

ORIGINAL DRAWING
SEALED BY:
T. M. CHURCH
SNC-LAVALIN
MEMBER #32682
2011/03/25
REV. 00

THE CITY OF WINNIPEG
WATER AND WASTE DEPARTMENT

SOUTH END WATER POLLUTION CONTROL CENTRE
ESSENTIAL SYSTEM UPGRADES
INSTRUMENT LOCATION PLAN
GAS DETECTORS - STANDBY GENERATORS BUILDING

CITY DRAWING NUMBER: 1-0102G-A0047
SHEET: 001
REV.: 00
SIZE: A1