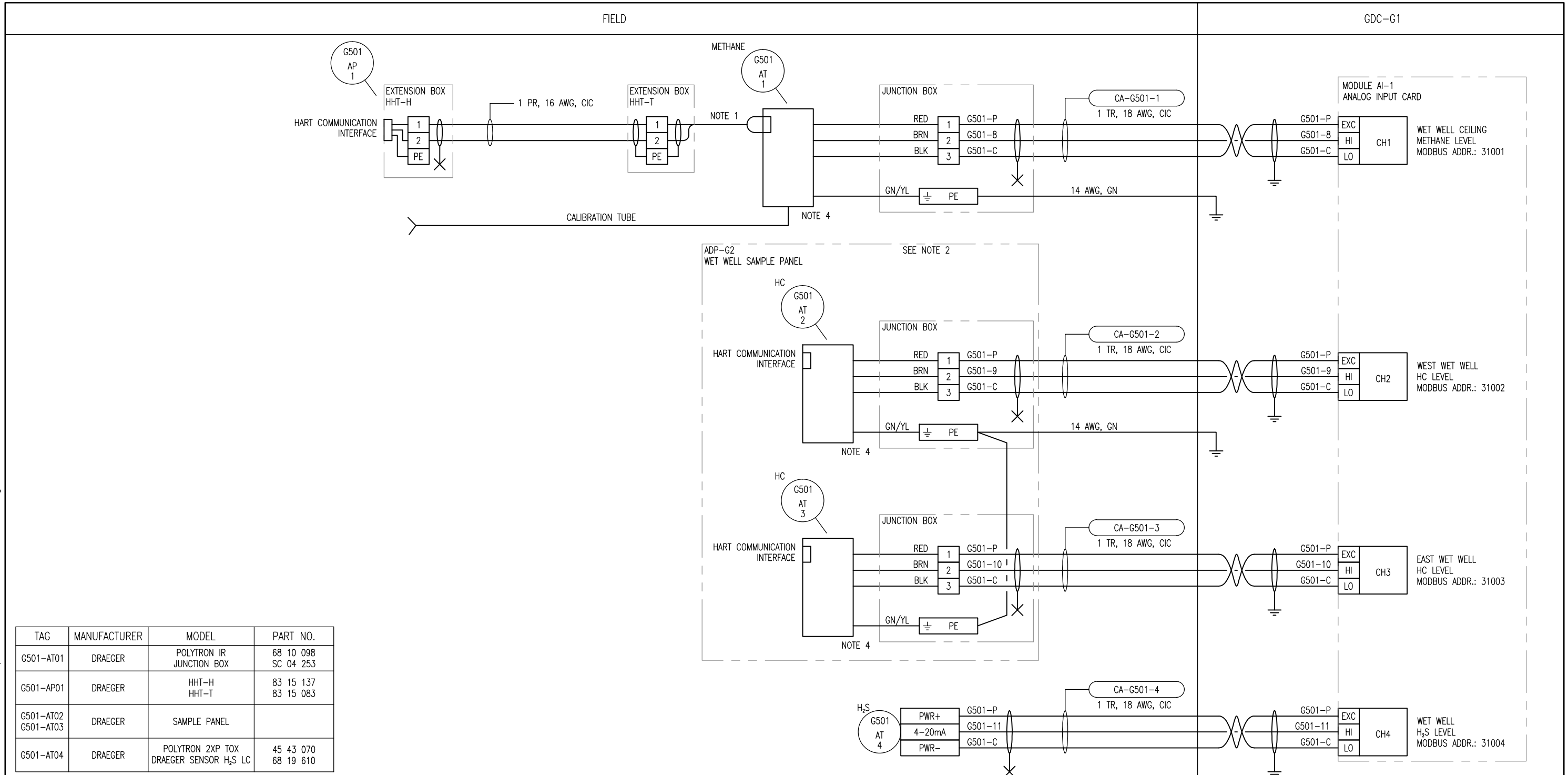


B SIZE - 279mm x 432mm

LAST SAVE: 2011/03/29 - 12:14pm
 PATH: M:\112577\0106\4ENG\48&C\DD - General DWG\1-0102G-A0056-001-00.dwg



TAG	MANUFACTURER	MODEL	PART NO.
G501-AT01	DRAEGER	POLYTRON IR JUNCTION BOX	68 10 098 SC 04 253
G501-AP01	DRAEGER	HHT-H HHT-T	83 15 137 83 15 083
G501-AT02 G501-AT03	DRAEGER	SAMPLE PANEL	
G501-AT04	DRAEGER	POLYTRON 2XP TOX DRAEGER SENSOR H ₂ S LC	45 43 070 68 19 610

NOTES:

- THE CABLE BETWEEN HHT-T AND TRANSMITTER IS PROVIDED WITH THE HHT-T EXTENSION BOX.
- SEE DRAWING 1-0102G-A0067 FOR WIRING OF OTHER SAMPLE PANEL EQUIPMENT.
- INSTALL IN ACCORDANCE WITH HAZARDOUS CLASS I, ZONE 2 REQUIREMENTS.
- GALVANIC ISOLATOR USED FOR I.S. BARRIER.



SNC-LAVALIN INC.
 148 Nature Park Way
 Winnipeg, MB, Canada R3P 0X7
 204-786-8080

DESIGNED BY: T. CHURCH
 CHECKED BY: C. REIMER

DRAWN BY: S. COATES
 APPROVED BY: C. REIMER

SCALE: N.T.S.
 DATE: 2009/10/15

RELEASED FOR CONSTRUCTION
 DATE: 2011/03/11

BY: N. HARRINGTON

CONSULTANT NO.: 112577-0106-48DD-1212

ENGINEER'S SEAL

ORIGINAL DRAWING SEALED BY:
 T. M. CHURCH
 SNC-LAVALIN
 2011/03/25
 REV. 00

THE CITY OF WINNIPEG
 WATER AND WASTE DEPARTMENT

SOUTH END WATER POLLUTION CONTROL CENTRE
 ESSENTIAL SYSTEM UPGRADES
 INSTRUMENT LOOP DIAGRAM
 G501 WET WELL GAS DETECTION

CITY DRAWING NUMBER: 1-0102G-A0056
 SHEET: 001
 REV.: 00
 SIZE: B