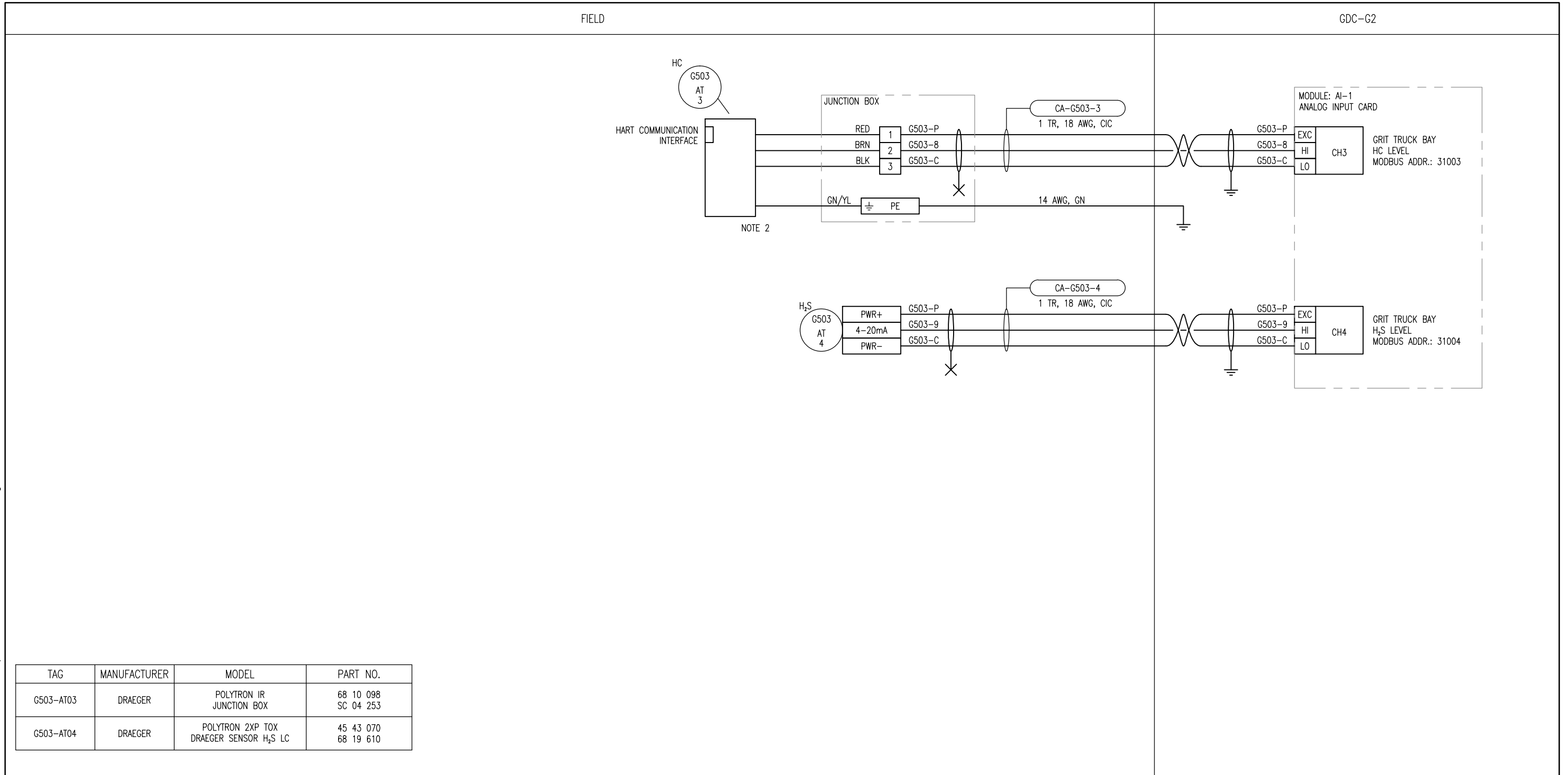


B SIZE - 279mm x 432mm

LAST SAVE: 2011/03/29 - 12:17pm
 PATH: M:\112577\0106\4ENG\481&C\DD - General DWG\1-0102G-A0060-001-00.dwg



TAG	MANUFACTURER	MODEL	PART NO.
G503-AT03	DRAEGER	POLYTRON IR JUNCTION BOX	68 10 098 SC 04 253
G503-AT04	DRAEGER	POLYTRON 2XP TOX DRAEGER SENSOR H ₂ S LC	45 43 070 68 19 610

NOTES:

- INSTALL IN ACCORDANCE WITH HAZARDOUS CLASS 1, ZONE 2 REQUIREMENTS.
- GALVANIC ISOLATOR USED FOR I.S. BARRIER.



NO.	REVISIONS	DATE	DESIGN	CHECK
00	ISSUED FOR TENDER, BID OPP. 209-2011	2011/03/11	TMC	CJR

DESIGNED BY: T. CHURCH	CHECKED BY: C. REIMER
DRAWN BY: S. COATES	APPROVED BY: C. REIMER
SCALE: N.T.S.	DATE: 2009/12/11
RELEASED FOR CONSTRUCTION	
BY: N. HARRINGTON	DATE: 2011/03/11
CONSULTANT NO.: 112577-0106-48DD-1217	

ENGINEER'S SEAL

ORIGINAL DRAWING
SEALED BY:
T. M. CHURCH
SNC-LAVALIN
2011/03/25
REV. 00

THE CITY OF WINNIPEG
 WATER AND WASTE DEPARTMENT

SOUTH END WATER POLLUTION CONTROL CENTRE
 ESSENTIAL SYSTEM UPGRADES
 INSTRUMENT LOOP DIAGRAM
 G503 GRIT TRUCK BAY GAS DETECTION

CITY DRAWING NUMBER	SHEET	REV.	SIZE
1-0102G-A0060	001	00	B