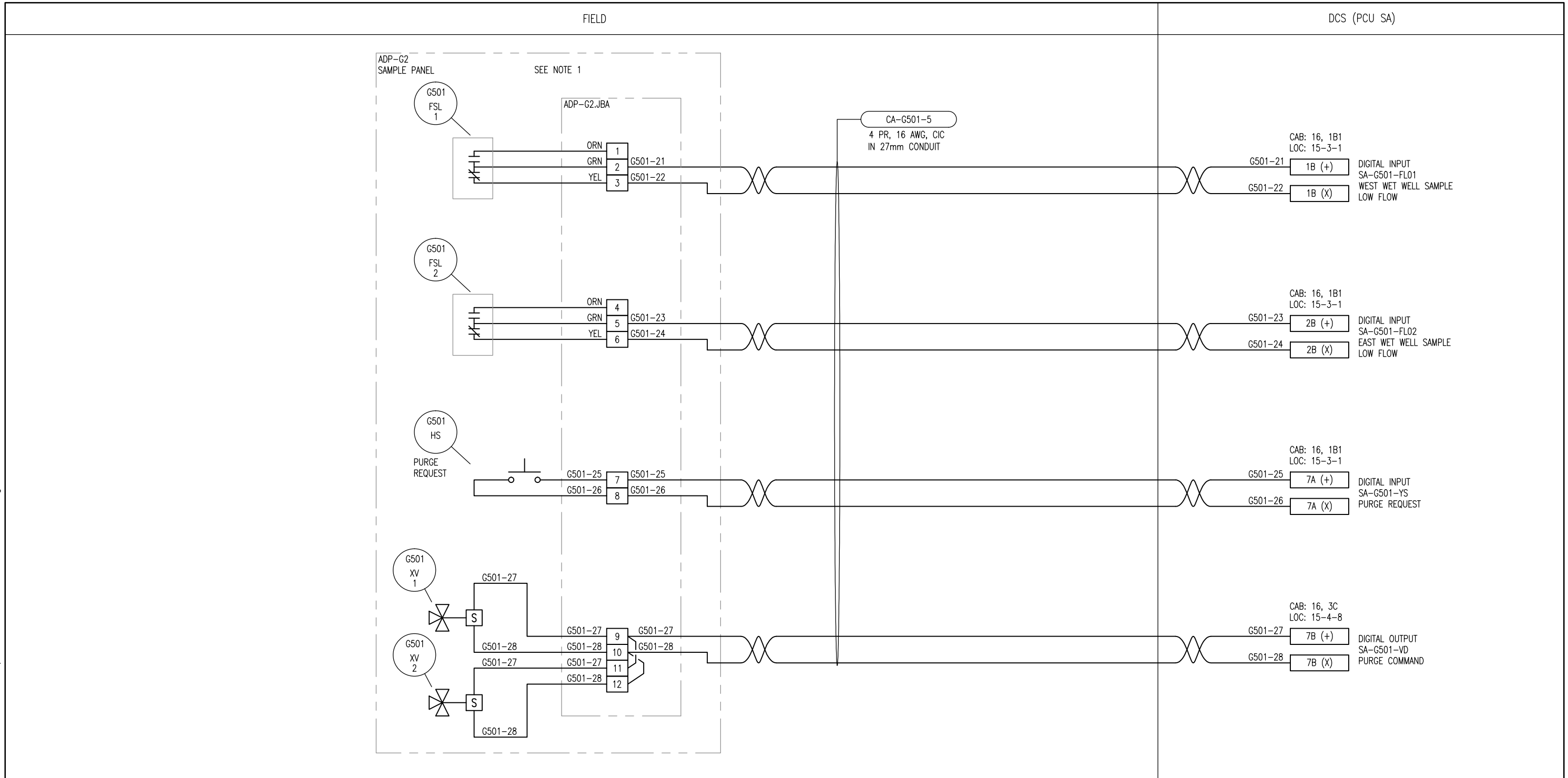


B SIZE - 279mm x 432mm

LAST SAVE: 2011/03/29 - 12:23pm
 PATH: M:\112577\0106\4ENG\48&C\DD - General DWG\1-0102G-A0067-001-00.dwg



NOTES:

- SEE DRAWING 1-0102G-A0056 FOR WIRING OF SAMPLE PANEL GAS DETECTORS.



SNC-LAVALIN INC.
 148 Nature Park Way
 Winnipeg, MB, Canada R3P 0X7
 204-786-8080

ENGINEER'S SEAL

ORIGINAL DRAWING
 SEALED BY:
 T. M. CHURCH
 SNC-LAVALIN
 2011/03/25
 REV. 00



SOUTH END WATER POLLUTION CONTROL CENTRE
 ESSENTIAL SYSTEM UPGRADES
 INSTRUMENT LOOP DIAGRAM
 G501 SAMPLE PANEL EQUIPMENT

NO.	REVISIONS	DATE	DESIGN	CHECK
00	ISSUED FOR TENDER, BID OPP. 209-2011	2011/03/11	TMC	CJR

DESIGNED BY: T. CHURCH	CHECKED BY: C. REIMER
DRAWN BY: S. COATES	APPROVED BY: C. REIMER
SCALE: N.T.S.	DATE: 2009/12/24
RELEASED FOR CONSTRUCTION	
BY: N. HARRINGTON	DATE: 2011/03/11
CONSULTANT NO.: 112577-0106-48DD-1225	

CITY DRAWING NUMBER 1-0102G-A0067	SHEET 001	REV. 00	SIZE B
---	---------------------	-------------------	------------------