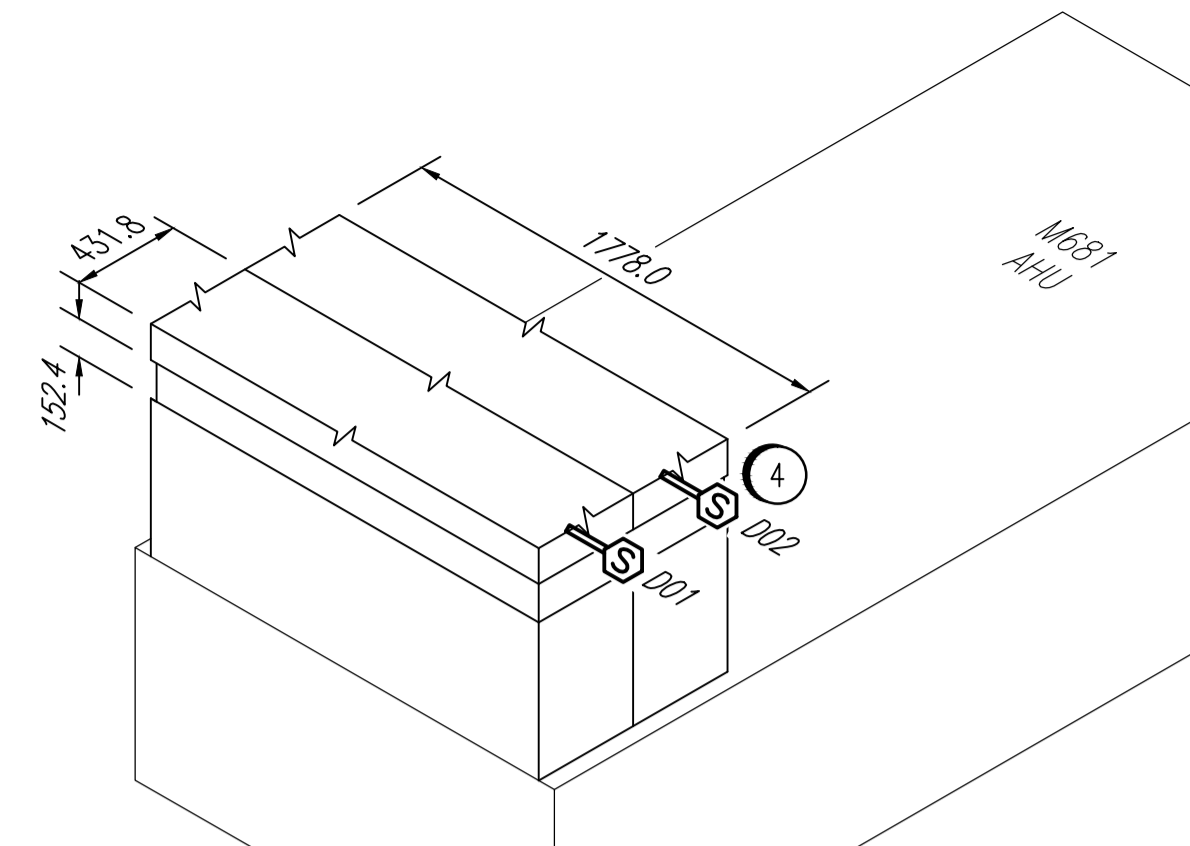


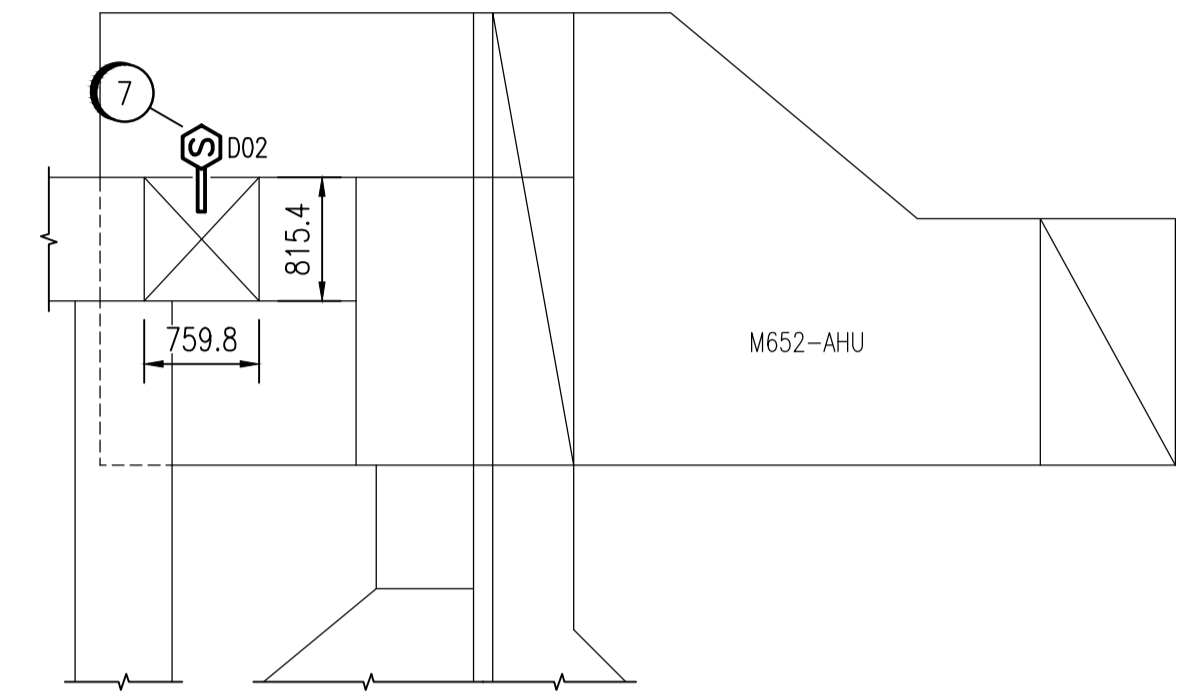
CONT'D ON DWG. 1-0102G-E0004

ADMINISTRATION BUILDING LOWER LEVEL

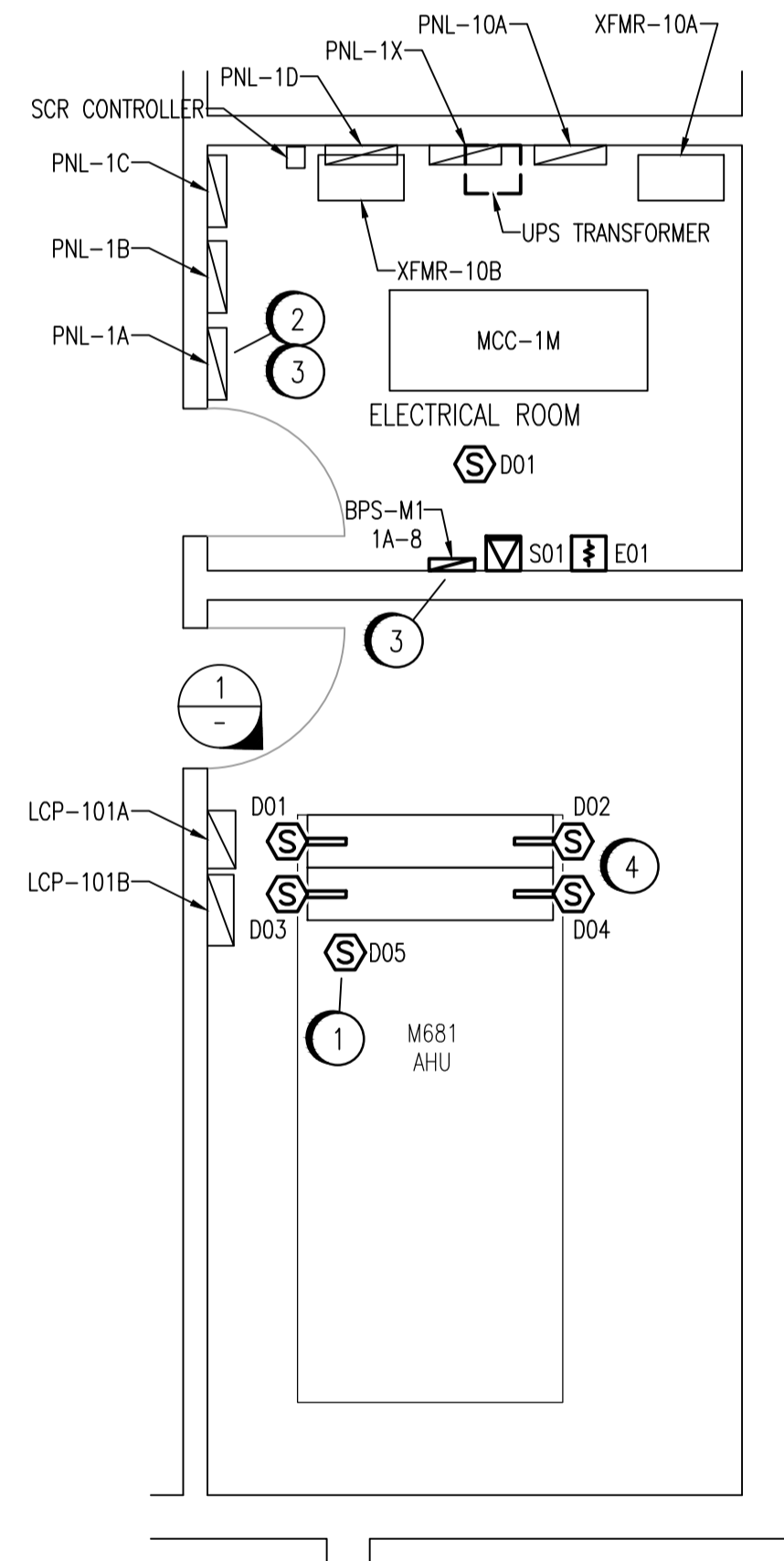
SCALE: 1 : 100



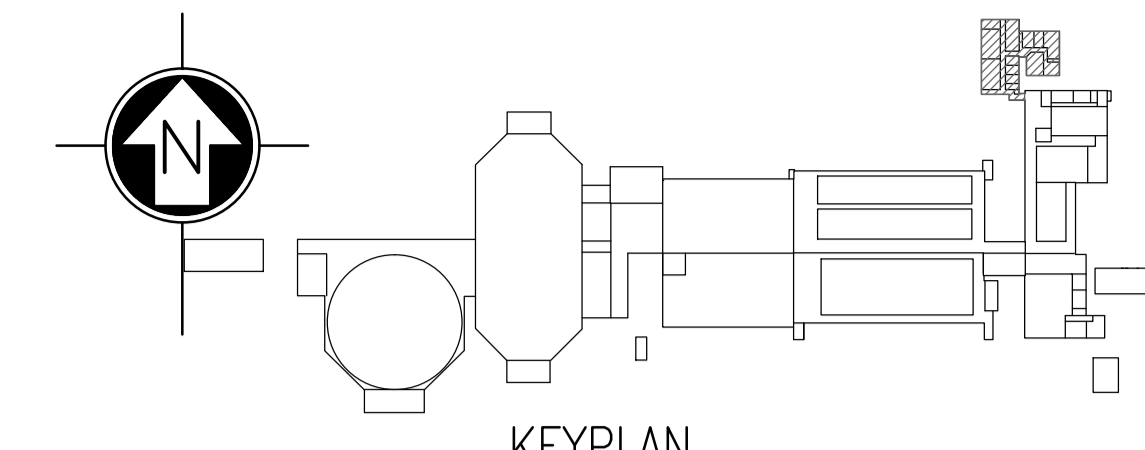
M681-AHU DUCT SMOKE DETECTOR
SCALE: 1 : 50



M652-AHU DUCT SMOKE DETECTOR
SCALE: 1 : 50



ELECTRICAL ROOM M117 AND MECHANICAL ROOM M118
SCALE: 1 : 50



KEYPLAN

ROOM DETAILS			
ROOM ID	HEIGHT	CEILING TYPE	REF DWG
M116	<3.51m	SUSPENDED ACOUSTIC TILE	SEP-023
M136	6.40m	STAIRWELL	SEP-023
M137	6.40m	STAIRWELL	SEP-023
M138	6.40m	STAIRWELL	SEP-023
Mxxx*	3.51m	CONCRETE	SEP-023

* ALL OTHER ROOMS WITH FIRE DETECTION ON ADMINISTRATION BUILDING LOWER FLOOR

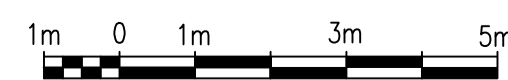
CONSTRUCTION NOTES	
1	REPLACE EXISTING DETECTORS. REMOVE ALL WIRING TO EXISTING FACP.
2	REMOVE EXISTING ESSENTIAL FEEDER FROM PNL-1A, CIRCUIT 8 SERVING EXISTING SIMPLEX GRINNELL FIRE ALARM PANEL.
3	INSTALL NEW 120V, 15A FEEDER FROM DISTRIBUTION PNL-1A, CIRCUIT 8 TO BPS-M1. CABLE TO BE 12 AWG RW90 IN CONDUIT. BREAKER TO BE RED AND LOCKABLE ON.
4	INSTALL DUCT-TYPE SMOKE DETECTORS IN THE HOT AND COLD AIR SUPPLY DUCTS OF M681-AHU. PROVIDE INTERLOCK TO SHUT DOWN M681-AHU UPON DETECTION OF SMOKE (SEE SEP-1025).
5	REMOVE EXISTING FIRE ALARM BELL. REMOVE ALL WIRING TO EXISTING FACP.
6	REPLACE EXISTING PULLSTATIONS FAS-M116-P01 AND FAS-M116-P03. REMOVE ALL WIRING TO EXISTING FACP.
7	INSTALL DUCT SMOKE DETECTOR FAS-M148-D02 IN VERTICAL SECTION OF DUCT OF M652-AHU BETWEEN THE DUCT HEATER AND THE AIR HANDLING UNIT. WIRE INTERLOCK AS SHOWN ON SEP-793.
8	INSTALL CONDUIT EXPANSION JOINTS AT LOCATION OF EXISTING JOINTS.

INTERLOCK SCHEDULE		
INITIATING DEVICE	CONTROLLED DEVICE	ACTION
FAS-M118-D01		STOP M681-AHU
FAS-M118-D02		STOP M681-AHU
FAS-M118-D03		STOP M681-AHU
FAS-M118-D04		STOP M681-AHU
FAS-M148-D02		STOP M652-AHU

NOTES:
1. DEVICE TAGS ARE SHOWN IN SHORTHAND NOTATION. FULL DEVICE TAG FORMAT IS FAS-Mxxx-yyy, WHERE xxx IS THE ROOM NUMBER, AND yyy IS THE DEVICE IDENTIFIER.

DRAWING NUMBER	REFERENCE DRAWINGS
SEP-1025	M681-F81 LOOP DIAGRAM
SEP-793	M652-AHU LOOP DIAGRAM
1-1012M-E0011	PANEL SCHEDULE - ADMINISTRATION BUILDING
1-0102M-E0009	PLAN LAYOUT - ADMINISTRATION BUILDING COMPUTER ROOMS
1-0102M-E0006	PLAN LAYOUT - ADMINISTRATION BUILDING ELECTRICAL ROOM
1-0102A-E0001	FIRE ALARM LEGEND AND DETAILS

1:100



NO.	REVISIONS	DATE	DESIGN	CHECK
00	ISSUED FOR TENDER, BID OPP. 209-2011	2011/03/11	EFB	CJR

		SNC-LAVALIN INC. 148 Nature Park Way Winnipeg, MB, Canada R3P 0X7 204-786-8080	ENGINEER'S SEAL ORIGINAL DRAWING SEALED BY: C. J. REIMER SNC-LAVALIN MEMBER #21968 2011/03/25 REV. 00
DESIGNED BY: E. BOHNCKE	CHECKED BY: C. REIMER	DRAWN BY: E. BOHNCKE	APPROVED BY: C. REIMER
SCALE: AS SHOWN	RELEASED FOR CONSTRUCTION BY: N. HARRINGTON	DATE: 2009/03/20	DATE: 2011/03/11
CONSULTANT NO.: 112577-0101-47DD-0012			

THE CITY OF WINNIPEG WATER AND WASTE DEPARTMENT			
SOUTH END WATER POLLUTION CONTROL CENTRE FIRE ALARM UPGRADE PLAN LAYOUT FIRE ALARM - ADMINISTRATION BUILDING LOWER LEVEL			
CITY DRAWING NUMBER	SHEET	REV.	SIZE
1-0102M-E0004	001	00	A1