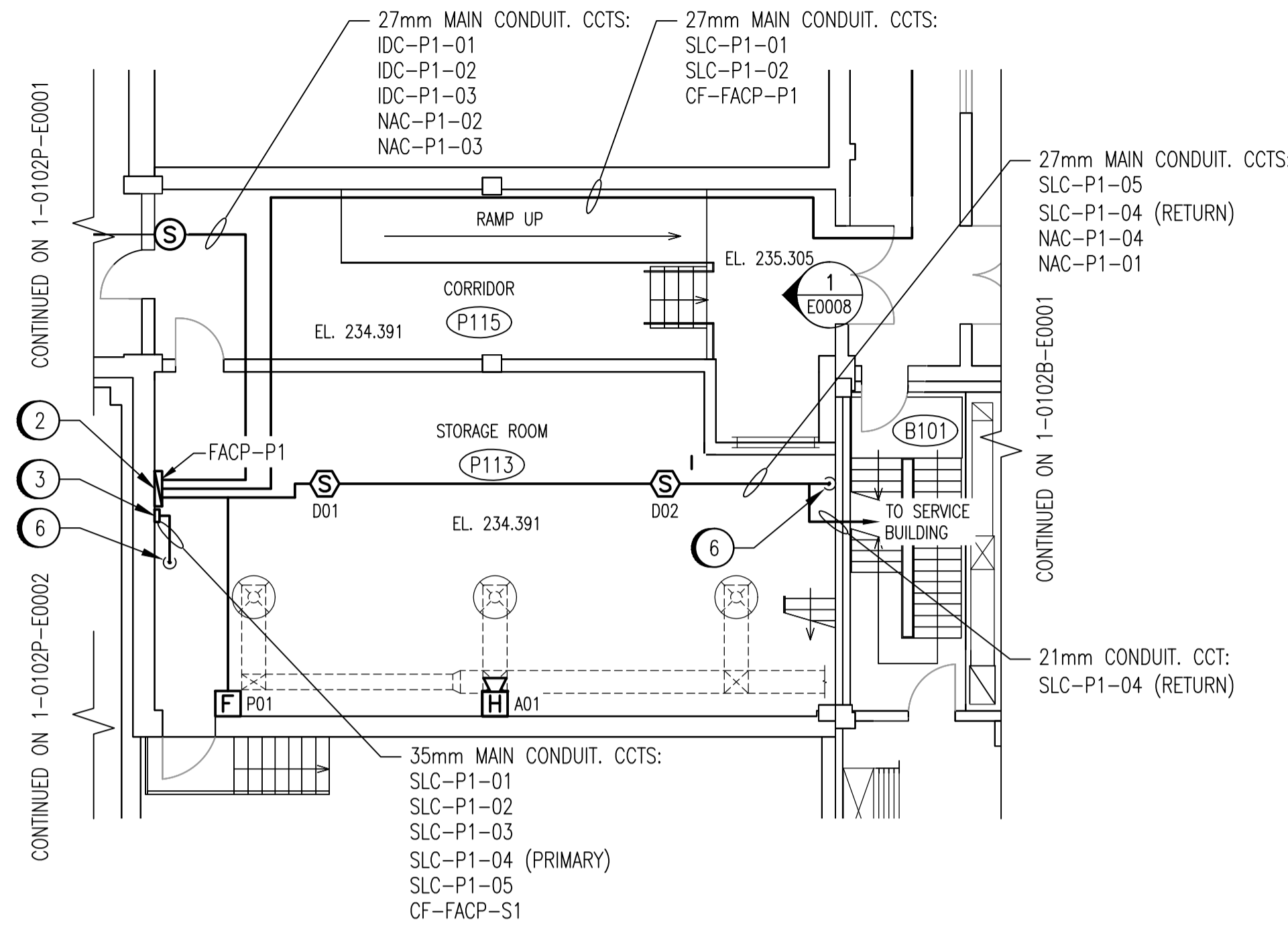
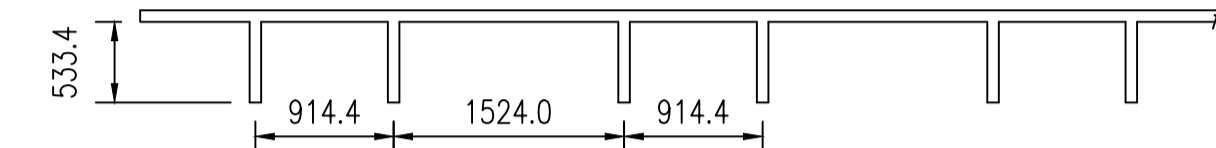
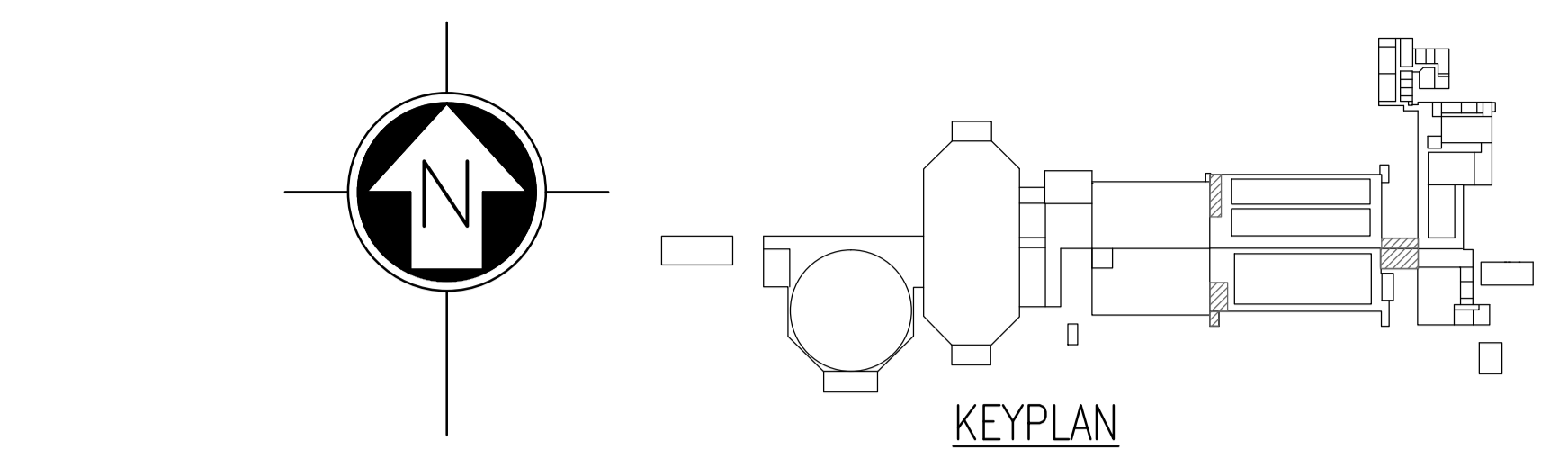


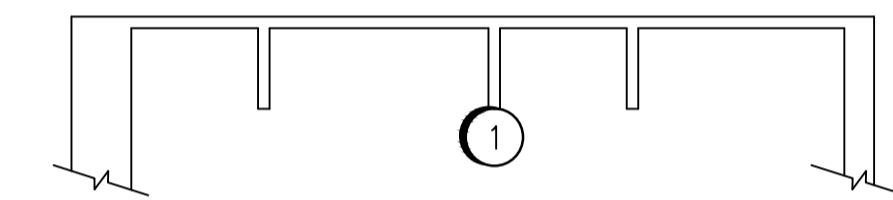
**PRIMARY CLARIFIERS 1 & 2 PENTHOUSE**  
SCALE 1:100



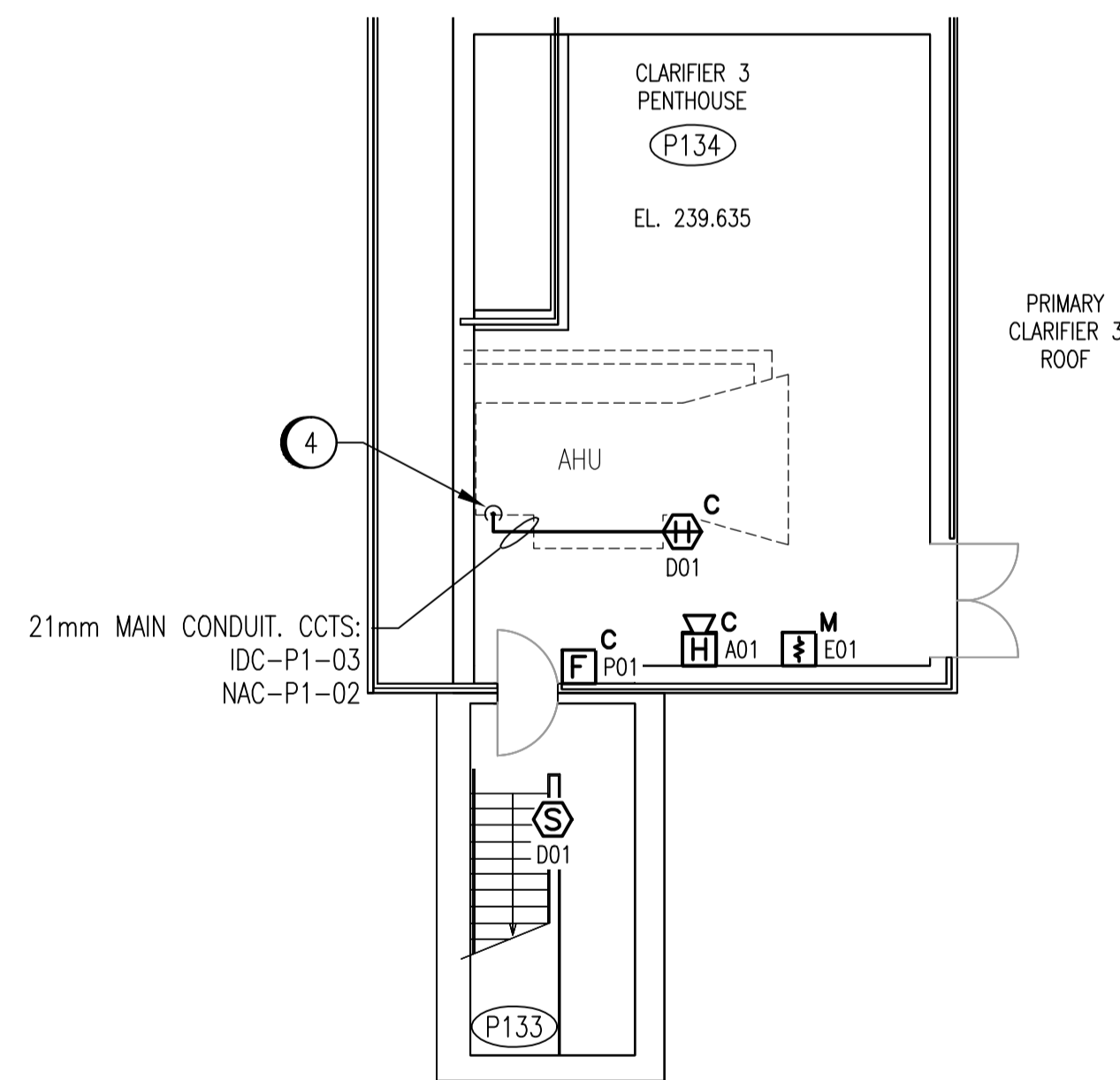
**PRIMARY CLARIFIERS - STORAGE ROOM**  
SCALE 1:100



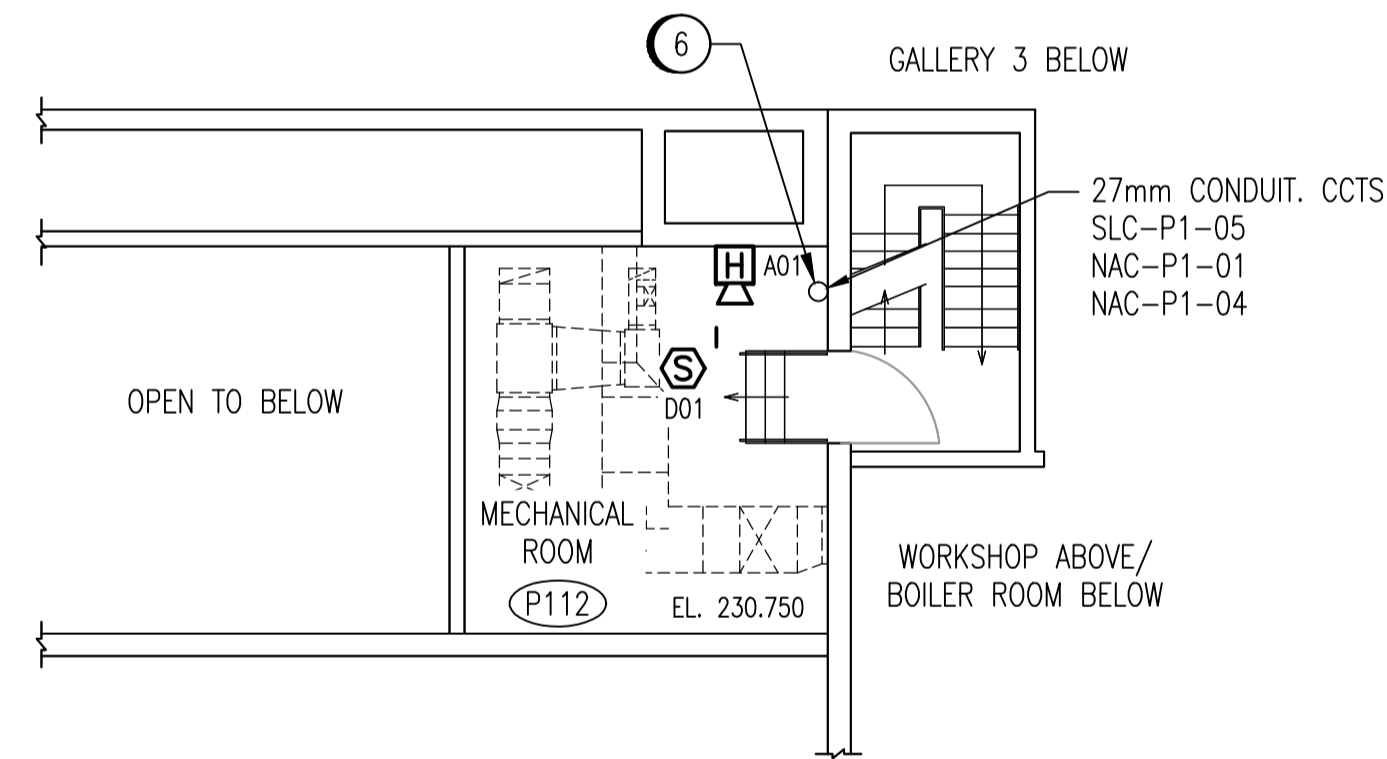
**1 CEILING BEAM SECTION**  
SCALE 1:50



**2 TOP OF STAIRWELL P121**  
SCALE 1:50



**PRIMARY CLARIFIER 3 PENTHOUSE**  
SCALE 1:100



**PRIMARY CLARIFIERS - MECHANICAL ROOM**  
SCALE 1:100

ROOM DETAILS			
ROOM ID	HEIGHT	CEILING TYPE	REF DWG
P112	3.41m	CONCRETE	SEP-283
P113	4.87m	CONCRETE	SEP-283
P115	4.87m	CONCRETE	SEP-283
P121	14.78m	STAIRWELL	SEP-054
P123	3.81m	SEE DETAIL 1	SEP-267
P133	16.29m	STAIRWELL	SEP-252
P134	3.75m	METAL CLADDING	SEP-248

CONSTRUCTION NOTES	
1	INSTALL SMOKE DETECTOR ON THE BOTTOM OF THE BEAM THAT IS CLOSEST TO THE CENTER OF THE STAIRWELL CEILING.
2	INSTALL FIRE ALARM CONTROL PANEL FACP-P1 AT THE LOCATION SHOWN. FACP POWER SUPPLY TO PROVIDE A MINIMUM OF 14A AT 24VDC. CONTRACTOR TO ENSURE THAT POWER SUPPLY IS ADEQUATELY SIZED TO POWER ALL DEVICES CONNECTED TO PANEL.
3	INSTALL FIELDSEVER COMMUNICATIONS BRIDGE IN A SUITABLE ENCLOSURE ADJACENT TO THE FIRE ALARM CONTROL PANEL.
4	INSTALL PENETRATION AS PER DETAILS 1 AND 4 OF 1-0102A-E0008.
5	INSTALL PENETRATION AS PER DETAILS 1 AND 2 OF 1-0102A-E0008.
6	INSTALL PENETRATION AS PER DETAIL 1 OF 1-0102A-E0008. LOCATE AWAY FROM WALL TO AVOID FLOOR BEAMS.

- NOTES:**
- THE AMBIENT TEMPERATURE IN THE PRIMARY CLARIFIER PENTHOUSE (P134) FALLS BELOW 0°C IN THE WINTER.
  - DEVICE TAGS ARE SHOWN IN SHORTHAND NOTATION. FULL DEVICE TAG FORMAT IS FAS-Pxxx-yyy, WHERE xxx IS THE ROOM NUMBER, AND yyy IS THE DEVICE IDENTIFIER.



NO.	REVISIONS	DATE	DESIGN	CHECK
00	ISSUED FOR TENDER, BID OPP. 209-2011	2011/03/11	EFB	CJR

**SNC-LAVALIN INC.**  
148 Nature Park Way  
Winnipeg, MB, Canada R3P 0X7  
204-786-8080

DESIGNED BY: E. BOHNCKE  
DRAWN BY: E. BOHNCKE  
SCALE: AS SHOWN  
DATE: 2009/03/20

CHECKED BY: C. REIMER  
APPROVED BY: C. REIMER  
RELEASED FOR CONSTRUCTION BY: N. HARRINGTON  
DATE: 2011/03/11

CONSULTANT NO.: 112577-0101-47DD-0043

ENGINEER'S SEAL

ORIGINAL DRAWING  
SEALED BY:  
C. J. REIMER  
SNC-LAVALIN  
MEMBER #21968  
2011/03/25  
REV. 00

**THE CITY OF WINNIPEG**  
WATER AND WASTE DEPARTMENT

SOUTH END WATER POLLUTION CONTROL CENTRE  
FIRE ALARM UPGRADE  
PLAN LAYOUT  
FIRE ALARM - PRIMARY CLARIFIERS  
PENTHOUSES & STORAGE ROOM

CITY DRAWING NUMBER: 1-0102P-E0003  
SHEET: 001  
REV.: 00  
SIZE: A1

1-0102P-E0014	ELECTRICAL CLASSIFICATION PLAN
1-0102A-E0001	FIRE ALARM LEGEND AND DETAILS
DRAWING NUMBER	REFERENCE DRAWINGS