

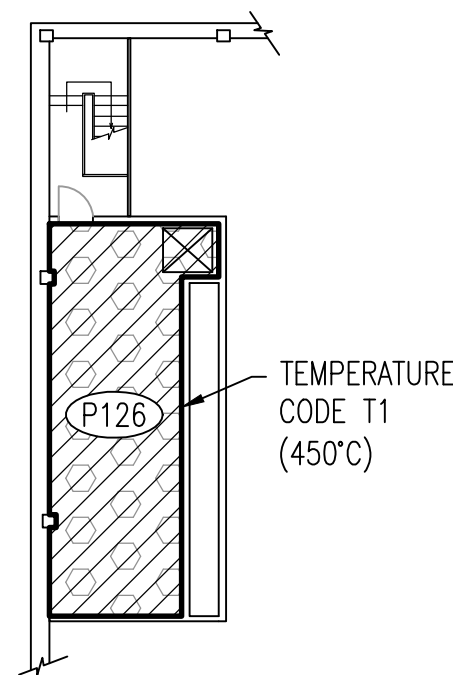
KEYPLAN

LEGEND

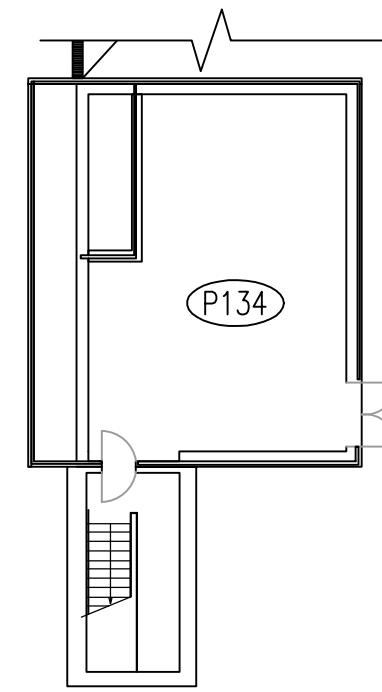
	HAZARDOUS CLASS I, ZONE 1, GROUP IIA
	HAZARDOUS CLASS I, ZONE 2, GROUP IIA
	CATEGORY 1 (MOISTURE)
	CATEGORY 2 (CORROSIVE)
	CATEGORY 2 WET (MOISTURE & CORROSIVE)

VENTILATION ANALYSIS							
SPACE	OUTDOOR	VENTILATION TRANSFER	RETURN	PRESSURE	HEATED	VENT FAILURE DETECTION	NOTES
PRIMARY CLARIFIER 1 & 2 TANK	3.7 ACH	0.5 ACH	-	NEGATIVE	YES	YES	
PRIMARY CLARIFIER 3 TANK AREA	2.3-4.1 ACH	1.4 ACH	-	NEGATIVE	YES	YES	
PRIMARY CLARIFIER 1 & 2 FAN ROOM	-	-	-	-	NO	-	
PRIMARY CLARIFIER 3 FAN ROOM	-	-	-	-	NO	-	
PRIMARY CLARIFIER 3 PENTHOUSE	-	-	-	NEGATIVE	NO	-	1

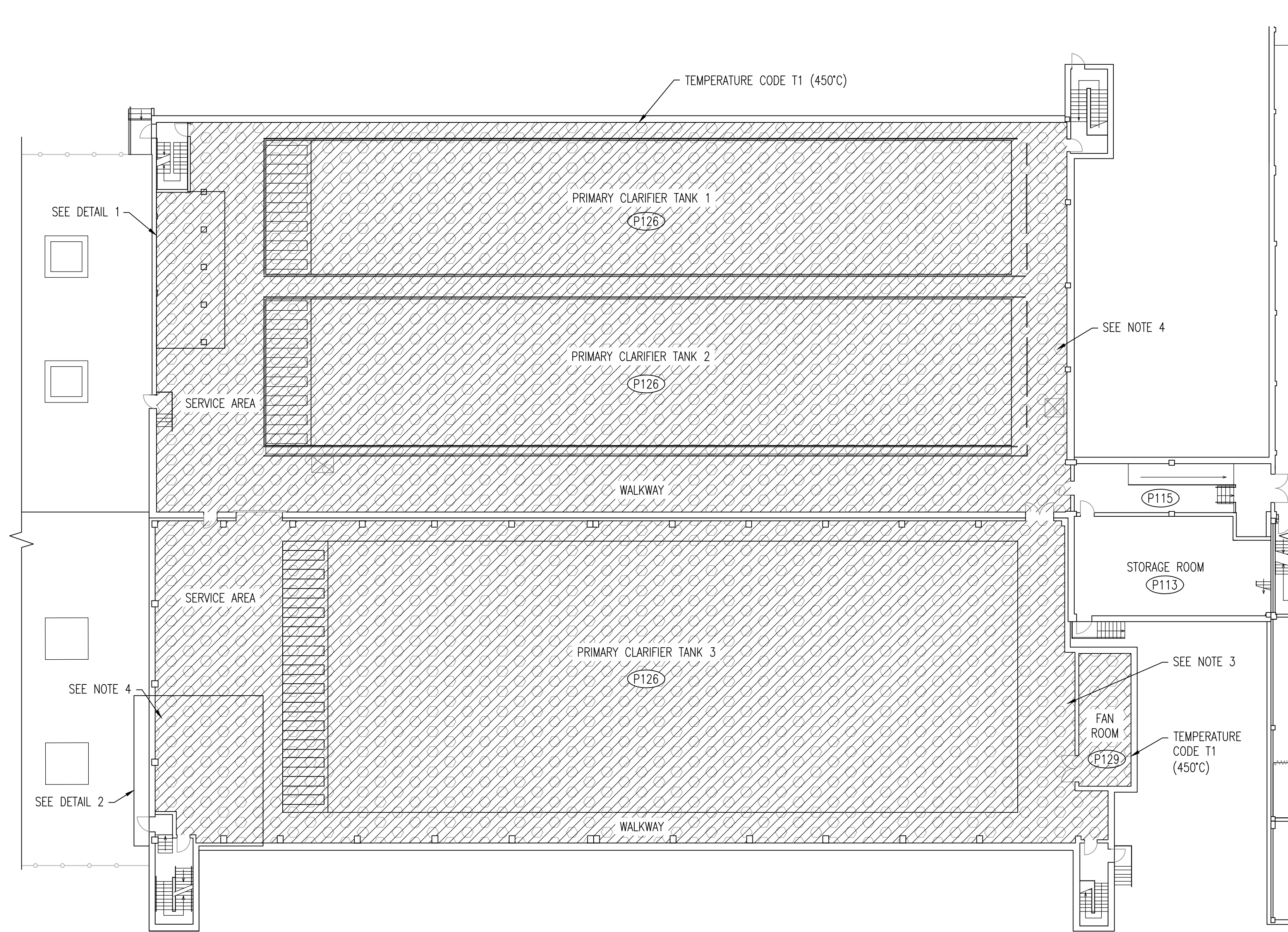
SPECIFIC NOTES:
 1. THE PRIMARY CLARIFIER 3 PENTHOUSE IS VENTILATED INDIRECTLY BY THE AIR SUPPLY TO PRIMARY CLARIFIER 3.



DETAIL 1: PRIMARY CLARIFIER 1 & 2 FAN ROOM



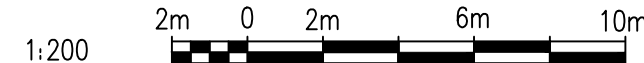
DETAIL 2: PENTHOUSE



PRIMARY CLARIFIER - MAIN LEVEL

NOTES:

- ALL HAZARDOUS SPACES ON THIS DRAWING HAVE A TEMPERATURE CODE T1 (450°C).
- THE EXISTING EQUIPMENT IN THE PRIMARY CLARIFIER TANK AREA IS UNCLASSIFIED. HOWEVER, ALL NEW WORK IS TO BE RATED FOR THE SPECIFIED HAZARDOUS LOCATION.
- HAZARDOUS RATED CONDUIT SEALS ARE REQUIRED ON ALL NEW CONDUITS BETWEEN THE FAN ROOMS AND THE PRIMARY CLARIFIER TANK AREAS. DO NOT INSTALL ANY NEW WIRING IN EXISTING CONDUITS WITHOUT SEALS.
- HAZARDOUS RATED CONDUIT SEALS ARE REQUIRED ON ANY NEW CONDUITS BETWEEN THE UNCLASSIFIED AREAS AND THE PRIMARY CLARIFIER TANK AREAS. DO NOT INSTALL ANY NEW WIRING IN EXISTING CONDUITS WITHOUT SEALS.
- THE INDICATED VENTILATION RATES ARE BASED ON EXISTING DOCUMENTATION AND HAVE NOT BEEN VERIFIED VIA ONSITE TESTING.



SNC-Lavalin Inc.
No. 4489



SNC-LAVALIN INC.
148 Nature Park Way
Winnipeg, MB, Canada R3P 0X7
204-786-8080

DESIGNED BY: T. CHURCH	CHECKED BY: C. REIMER
DRAWN BY: S. COATES	APPROVED BY: C. REIMER
SCALE: 1:200	RELEASED FOR CONSTRUCTION BY: N. HARRINGTON
DATE: 2009/11/06	DATE: 2011/03/31

CONSULTANT NO.: 112577-0113-47DD-1401

ENGINEER'S SEAL

ORIGINAL DRAWING SEALED BY:
C. J. REIMER
SNC-LAVALIN
MEMBER #21968
2011/03/31
REV. 00



SOUTH END WATER POLLUTION CONTROL CENTRE
ELECTRICAL CLASSIFICATION UPGRADES
ELECTRICAL CLASSIFICATION PLAN
PRIMARY CLARIFIER - MAIN LEVEL

CITY DRAWING NUMBER	SHEET	REV.	SIZE
1-0102P-E0014	001	00	A1

DRAWING NUMBER	REFERENCE DRAWINGS
----------------	--------------------