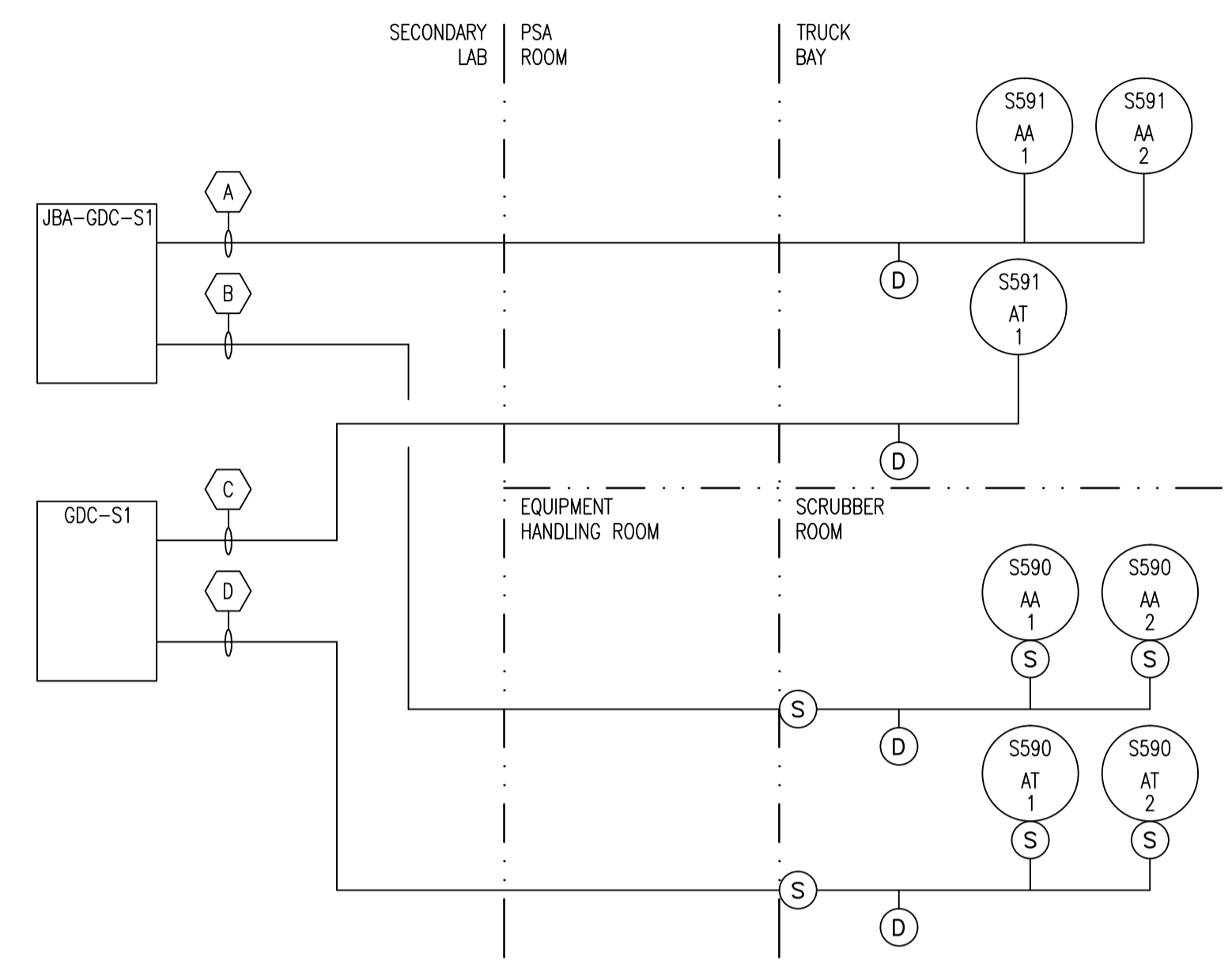
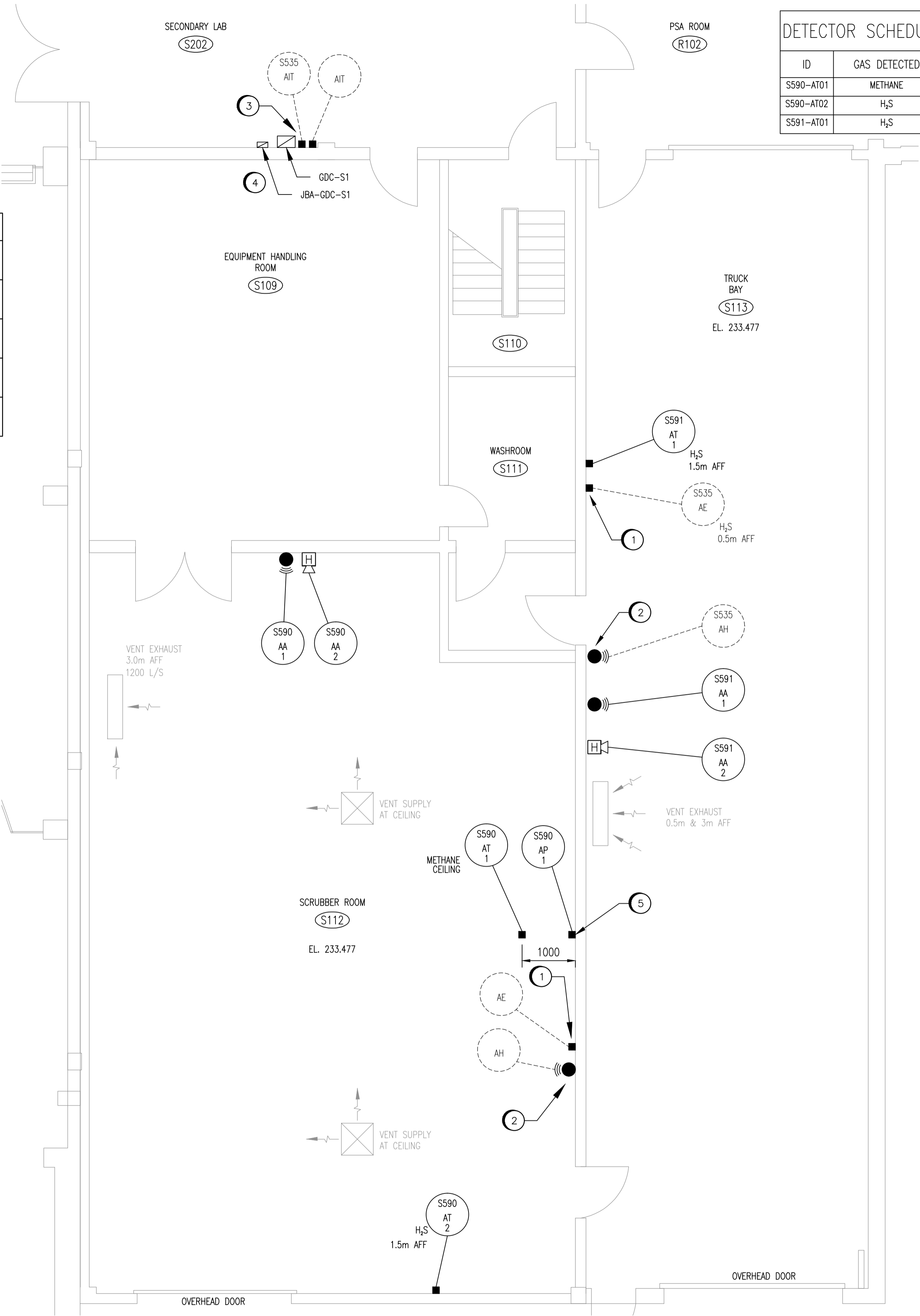


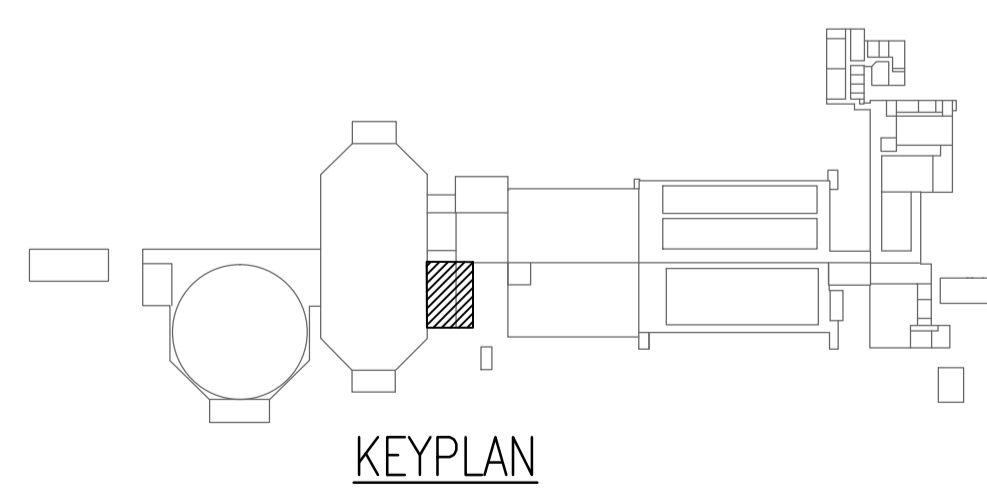
CONSTRUCTION NOTES	
1	REMOVE EXISTING GAS DETECTOR AND ASSOCIATED WIRING. SCRUBBER ROOM DETECTOR DOES NOT HAVE TAG NAME.
2	REMOVE EXISTING STROBE AND ASSOCIATED WIRING.
3	REMOVE EXISTING GAS CONTROLLERS AND ASSOCIATED WIRING. SCRUBBER ROOM CONTROLLER DOES NOT HAVE TAG NAME.
4	INSTALL NEW GAS DETECTION CONTROLLER AND JUNCTION BOX.
5	INSTALL REMOTE CALIBRATION POINT. SEE DETAIL B ON DRAWING 1-0102A-0004.

DETECTOR SCHEDULE				
ID	GAS DETECTED	HEIGHT	INSTALLATION DETAIL	NOTES
S590-AT01	METHANE	0.5m BELOW CEILING	1-0102A-A0004	
S590-AT02	H ₂ S	1.5m AFF	1-0102A-A0005	
S591-AT01	H ₂ S	1.5m AFF	1-0102A-A0005	

CONDUIT & WIRE SCHEDULE			
TYPE	SIZE	CABLES	NOTES
A	21mm	2C, 14 AWG, RW90	MAY REUSE EXISTING
B	21mm	2C, 14 AWG, RW90	MAY REUSE EXISTING
C	21mm	1TR, 18 AWG, CIC	MAY REUSE EXISTING
D	21mm	2x 1TR, 18 AWG, CIC	MAY REUSE EXISTING



CONDUIT RISER DIAGRAM

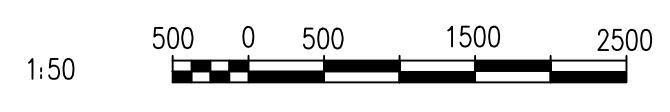


KEYPLAN

- LEGEND:**
- EXISTING EQUIPMENT TO BE REMOVED
 - [H] HORN
 - STROBE
 - (S) HAZARDOUS SEAL
 - (D) CONDUIT DRAIN

SECONDARY CLARIFIERS - MAIN LEVEL
EL. 233.5

- NOTES:**
- INSTALL CONDUIT DRAINS AT THE LOW POINT IN EACH CONDUIT RUN.
 - INSTALL THE ENTIRE SCRUBBER ROOM GAS DETECTION SYSTEM IN ACCORDANCE WITH HAZARDOUS CLASS 1, ZONE 2 REQUIREMENTS, DESPITE THE FACT THAT THE SCRUBBER ROOM ONLY HAS A LIMITED CLASS 1, ZONE 2 CLASSIFIED AREA.



NO.	REVISIONS	DATE	DESIGN	CHECK
00	ISSUED FOR TENDER, BID OPP. 209-2011	2011/03/11	TMC	CJR

SNC-LAVALIN INC.
148 Nature Park Way
Winnipeg, MB, Canada R3P 0X7
204-786-8080

DESIGNED BY: T. CHURCH
CHECKED BY: C. REIMER
DRAWN BY: T. CHURCH
APPROVED BY: C. REIMER
SCALE: 1:100
RELEASED FOR CONSTRUCTION BY: N. HARRINGTON
DATE: 2009/07/06
DATE: 2011/03/11
CONSULTANT NO.: 112577-0106-480D-1600

ENGINEER'S SEAL
ORIGINAL DRAWING
SEALED BY:
T. M. CHURCH
SNC-LAVALIN
MEMBER #32682
2011/03/25
REV. 00

THE CITY OF WINNIPEG
WATER AND WASTE DEPARTMENT

SOUTH END WATER POLLUTION CONTROL CENTRE
ESSENTIAL SYSTEM UPGRADES
INSTRUMENT LOCATION PLAN
GAS DETECTORS - SECONDARY CLARIFIERS
SCRUBBER ROOM & TRUCK BAY

CITY DRAWING NUMBER: 1-0102S-A0056
SHEET: 001
REV.: 00
SIZE: A1