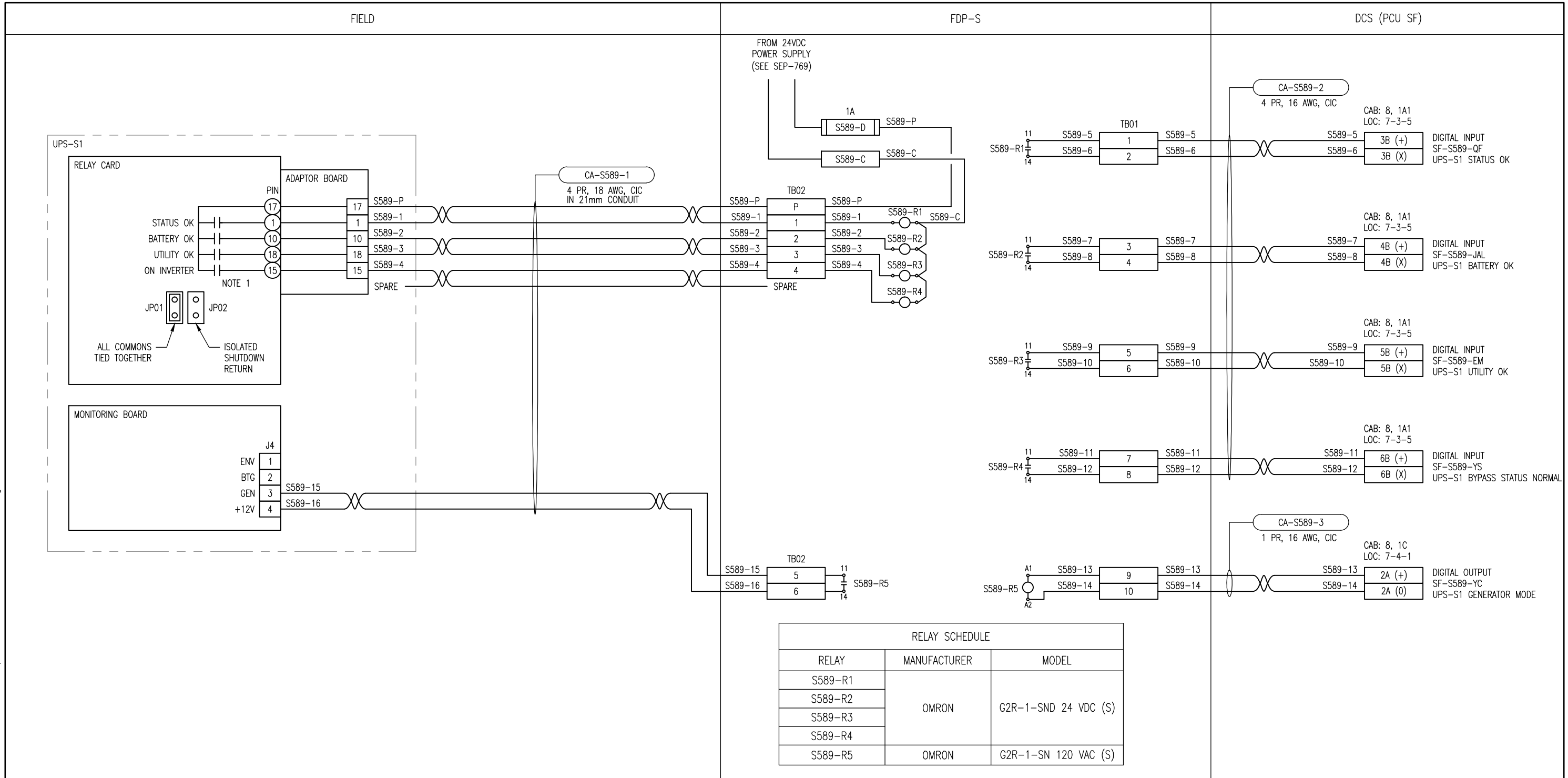


B SIZE - 279mm x 432mm

LAST SAVE: 2011/03/29 - 11:30am
 PATH: M:\112577\0106\4ENG\4TELE\DD - General DWG\1-0102S-A0066-001-00.dwg



RELAY SCHEDULE		
RELAY	MANUFACTURER	MODEL
S589-R1	OMRON	G2R-1-SND 24 VDC (S)
S589-R2		
S589-R3		
S589-R4		
S589-R5	OMRON	G2R-1-SN 120 VAC (S)

NOTES:
 1. CONTACTS SHOWN IN DE-ENERGIZED STATE.



SNC-LAVALIN INC.
 148 Nature Park Way
 Winnipeg, MB, Canada R3P 0X7
 204-786-8080

DESIGNED BY: T. CHURCH
 CHECKED BY: C. REIMER
 DRAWN BY: S. COATES
 APPROVED BY: C. REIMER
 SCALE: N.T.S.
 DATE: 2010/01/14
 RELEASED FOR CONSTRUCTION
 BY: N. HARRINGTON
 DATE: 2011/03/11
 CONSULTANT NO.: 112577-0106-47DD-1600

ENGINEER'S SEAL
 ORIGINAL DRAWING SEALED BY:
 T. M. CHURCH
 SNC-LAVALIN
 2011/03/25
 REV. 00

THE CITY OF WINNIPEG
 WATER AND WASTE DEPARTMENT

SOUTH END WATER POLLUTION CONTROL CENTRE
 ESSENTIAL SYSTEM UPGRADES
 INSTRUMENT LOOP DIAGRAM
 UPS-S1 ALARMS

CITY DRAWING NUMBER	SHEET	REV.	SIZE
1-0102S-A0066	001	00	B

NO.	REVISIONS	DATE	DESIGN	CHECK
00	ISSUED FOR TENDER, BID OPP. 209-2011	2011/03/11	TMC	CJR