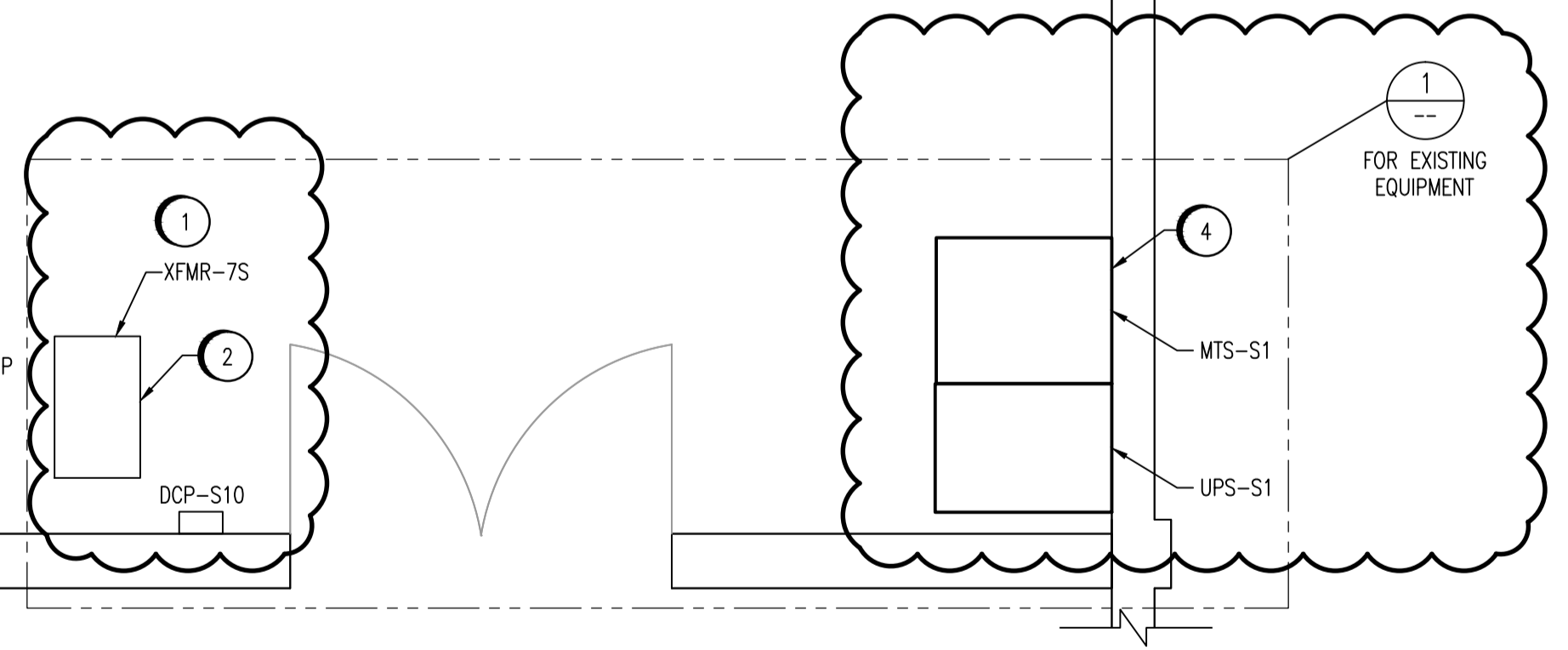
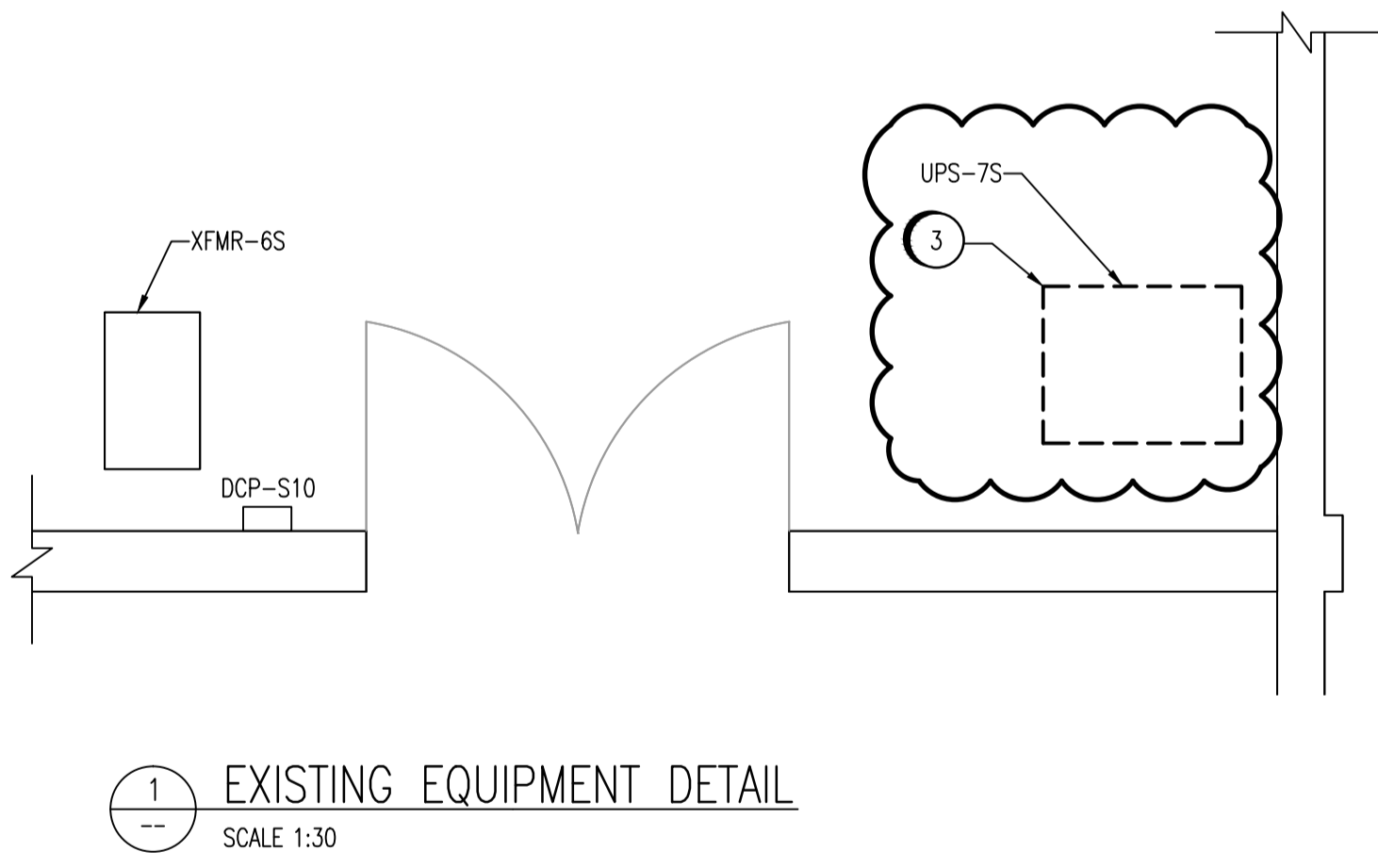


CONSTRUCTION NOTES	
①	RE-NAME REGULATING TRANSFORMER TO XFMR-7S.
②	RE-FEED XFMR-7S FROM PNL-3S.
③	REMOVE EXISTING UPS-7S AND ASSOCIATED WIRING.
④	INSTALL AND CONFIGURE UPS-S1 AND MTS-S1. FOLLOW MANUFACTURERS INSTRUCTIONS UNLESS OTHERWISE NOTED. POWER SUPPLY TO MTS-S1 IS TO BE TOP FED. UPS POWER TO LOAD IS TO BE BOTTOM FED THROUGH FLOOR.



SECONDARY CLARIFIER ELECTRICAL ROOM
 1:30

NOTES:
 1. THIS DRAWING IS BASED ON THE EXISTING LAYOUT OF THE ELECTRICAL ROOM.



NO.	REVISIONS	DATE	DESIGN	CHECK
01	ADDED UPS-S1	2011/03/11	TMC	CJR
00	ISSUED FOR TENDER, BID OPP 837-2009	2009/12/07	NB	CJR

SNC-LAVALIN INC. 148 Nature Park Way Winnipeg, MB, Canada R3P 0X7 204-786-8080	
DESIGNED BY: N. BRADDO	CHECKED BY: C. REIMER
DRAWN BY: E. BOHNCKE	APPROVED BY: C. REIMER
SCALE: 1:30	RELEASED FOR CONSTRUCTION BY: J. VEILLEUX
DATE: 2009/12/07	DATE: 2009/12/02
CONSULTANT NO.: 112577-0105-47DD-0501	

ENGINEER'S SEAL
 ORIGINAL DRAWING
 SEALED BY:
 T. M. CHURCH
 SNC-LAVALIN
 MEMBER # 32682
 2011/03/25
 REV. 01
 CHANGES ONLY

THE CITY OF WINNIPEG
 WATER AND WASTE DEPARTMENT
 SOUTH END WATER POLLUTION CONTROL CENTRE
 ESSENTIAL SYSTEM UPGRADES
 PLAN LAYOUT
 SECONDARY CLARIFIER ELECTRICAL ROOM
 CITY DRAWING NUMBER: 1-0102S-E0012
 SHEET: 001
 REV: 01
 SIZE: A1