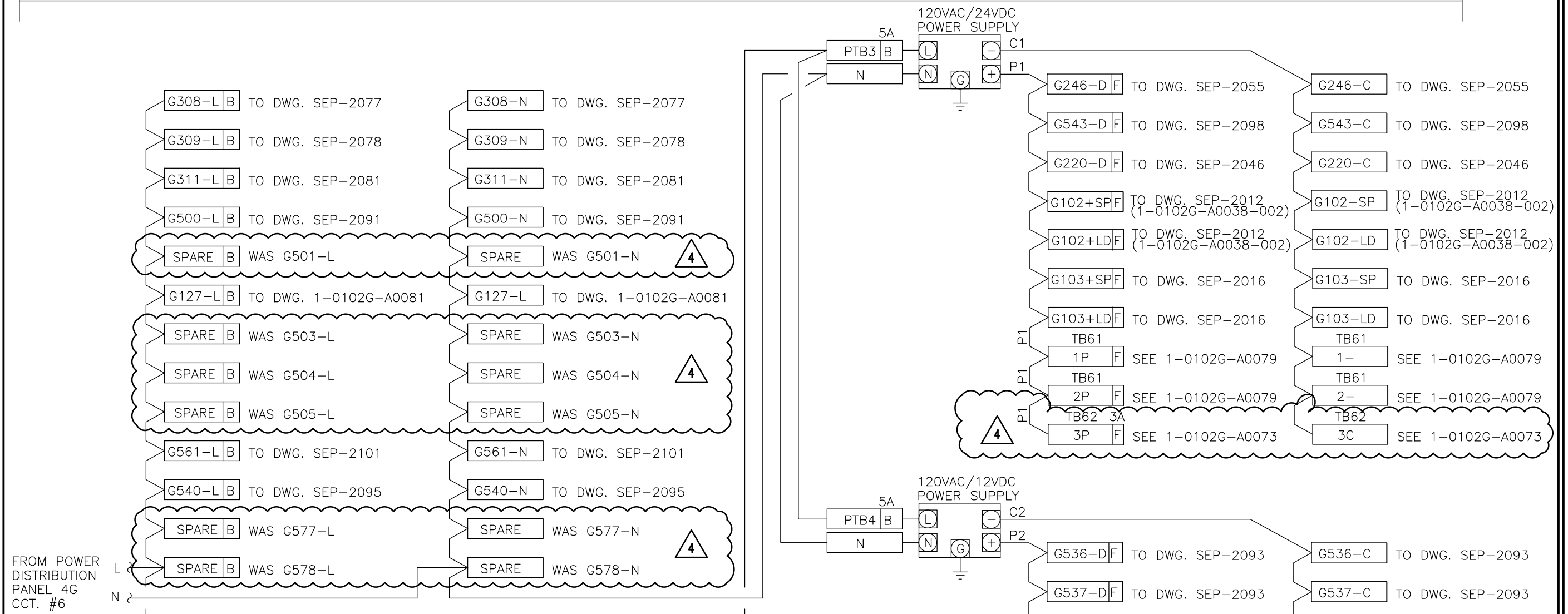


FDP-G (FIELD DEVICE PANEL -G) (120VAC,24VDC AND 12VDC DISTRIBUTION)



FROM POWER DISTRIBUTION PANEL 4G CCT. #6

NOTE:

1. ALL BREAKERS AND FUSES RATED AT 120 VAC, 1 AMP. UNLESS OTHERWISE NOTED.

SNC-LAVALIN INC. 148 Nature Park Way Winnipeg, Manitoba Canada R3P 0X7				
DESIGNED:	T. CHURCH		APPROVED:	C. REIMER
CHECKED:	C. REIMER		DATE:	2011/03/11
PROJECT No.	SUBDIV.	SUBJECT	SERIAL	REV.
112577	0112	48 DD	0151	4



MacLAREN ENGINEERS INC. WARDROP ENGINEERING INC. ENGINEERING CONSULTANTS				
4	UPS AND GAS DETECTION MODIFICATIONS	2011/03/11	TMC	DESIGNED BY: RH
3	HEADWORKS UPGRADES MODIFICATIONS	2010/10/01	TMC	DRAWN BY: RH
2	ADD TERMINALS	10.02.03	SPH	SCALE: N.T.S.
1	ISSUED FOR CONSTRUCTION	08/92	B.T.	DATE: 08/92
NO	REVISIONS	DATE	BY	

ORIGINAL DRAWING SEALED BY:
 T. M. CHURCH
 SNC-LAVALIN
 2011/03/25
 REV. 04
 CHANGES ONLY

CONSULTANT DWG. NO.
 870012-01-20

THE CITY OF WINNIPEG WORKS AND OPERATIONS DIVISION WATERWORKS, WASTE & DISPOSAL DEPARTMENT	
SOUTH END WATER POLLUTION CONTROL CENTER PUMP & SCREEN BUILDING - I & C FIELD DEVICE PANEL FDP-G 120 VAC, 24VDC & 12 VDC POWER DISTRIBUTION WIRING DIAGRAM	CITY DWG. NO. SHEET 1 OF 1 SEP-2129