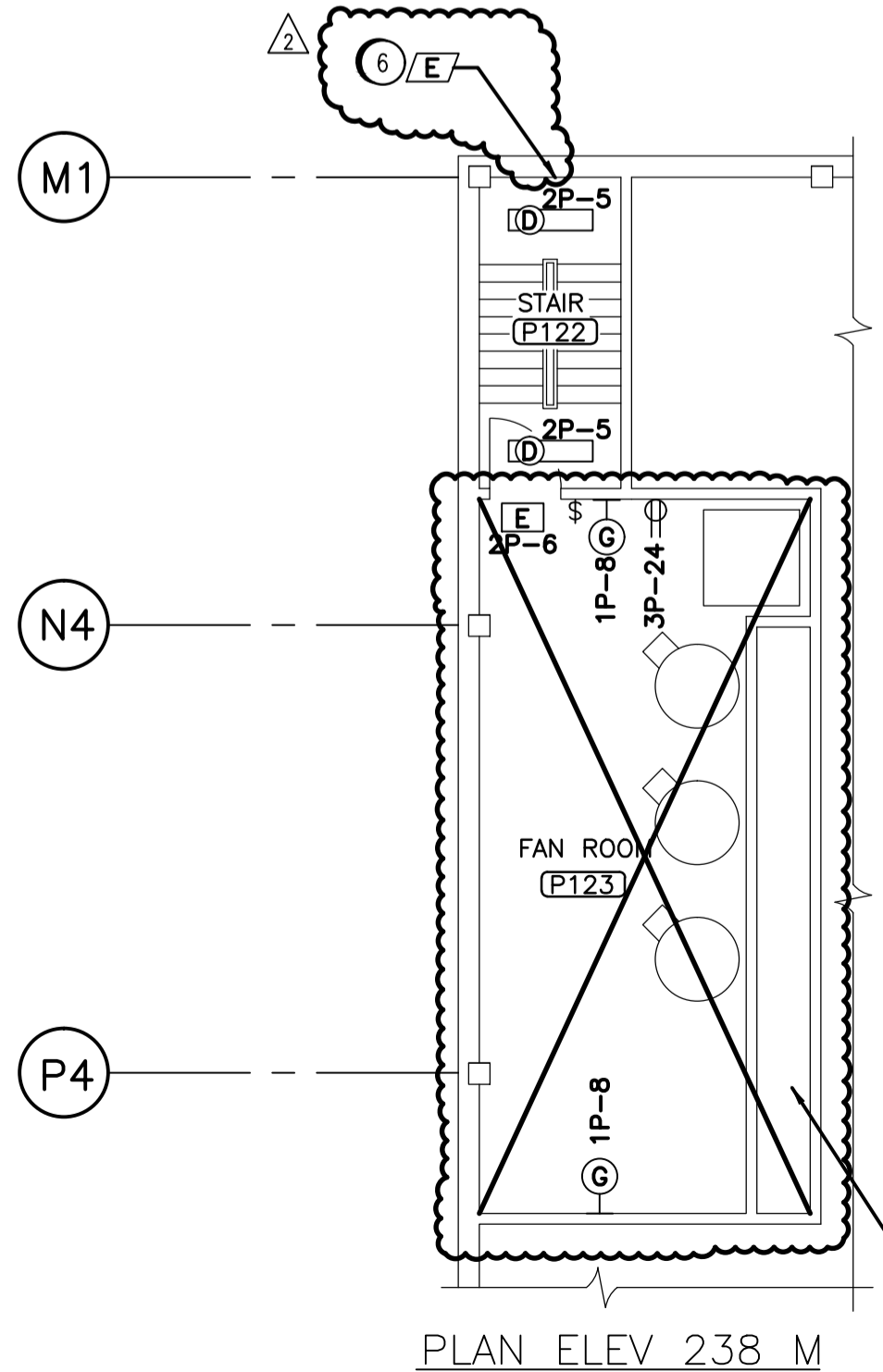
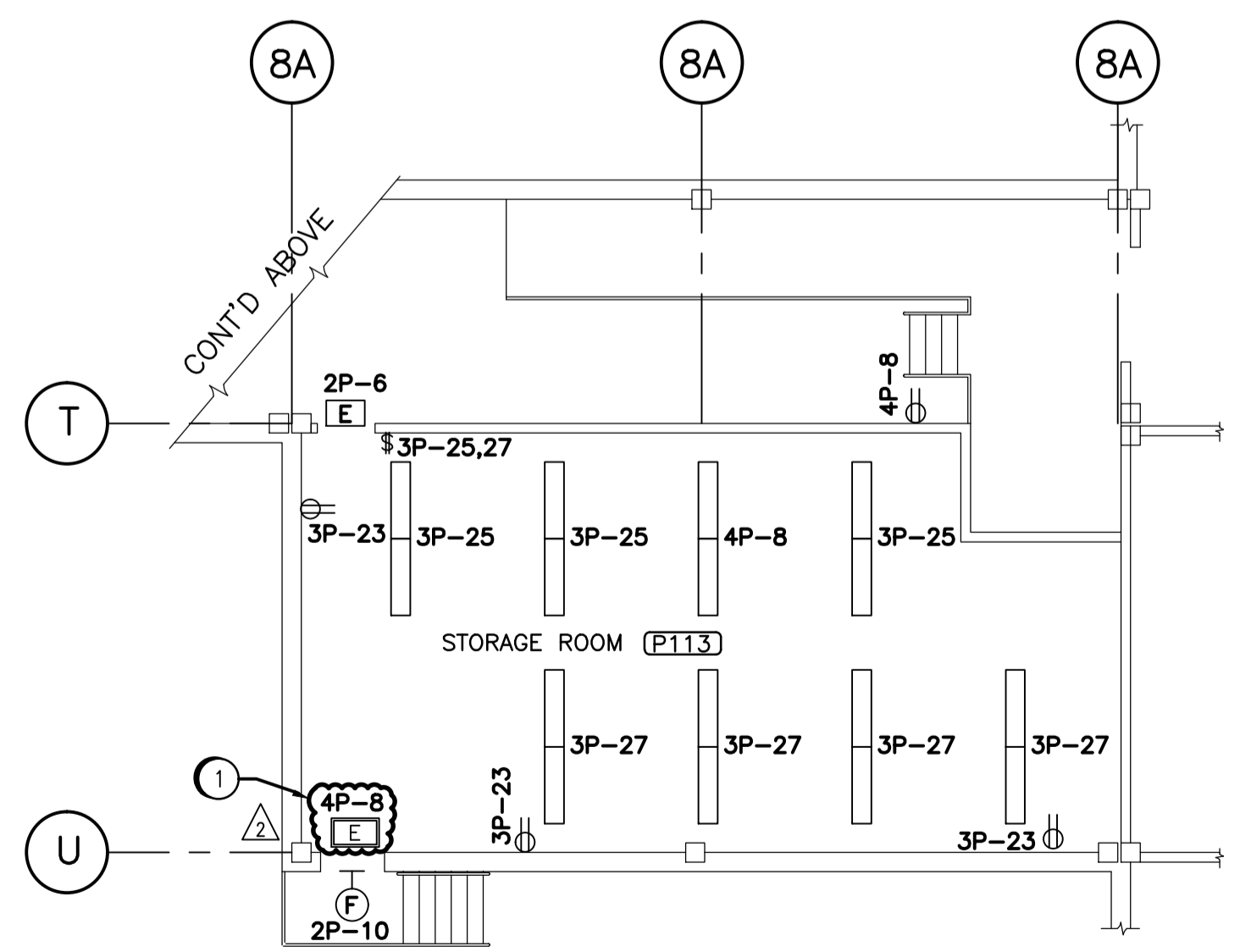


PLAN ELEV. 234 M



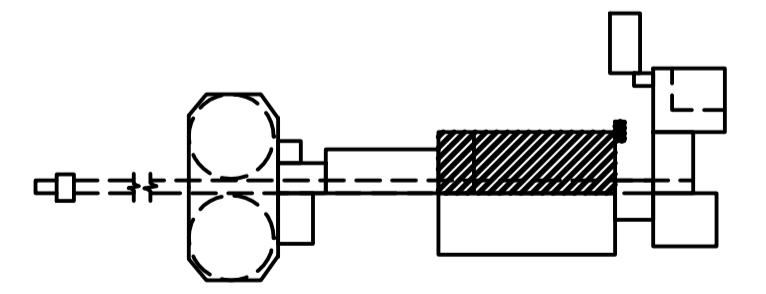
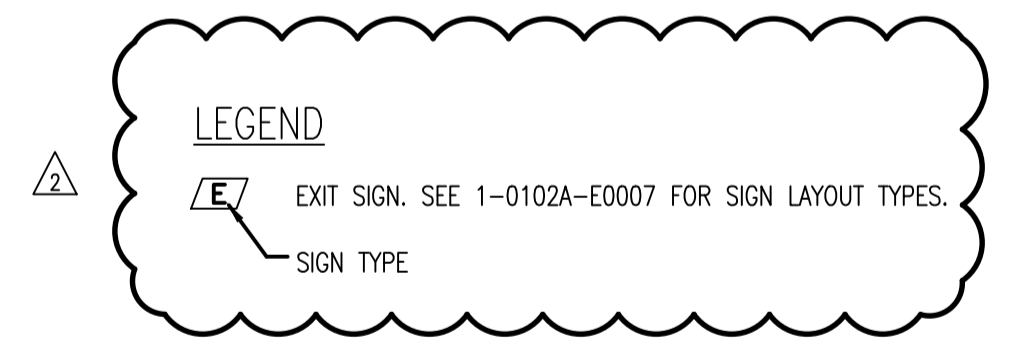
PLAN ELEV. 238 M



PLAN ELEV. 234 M

- CONSTRUCTION NOTES**
- 1 INSTALL EXIT SIGN IN STORAGE ROOM, AS SHOWN.
 - 2 INSTALL HAZARDOUS AREA RATED EXIT SIGNS IN PRIMARY CLARIFIER AREA, AS SHOWN.
 - 3 INSTALL HAZARDOUS AREA RATED EXIT SIGN ABOVE DOOR.
 - 4 INSTALL "NOT AN EXIT" SIGN ON THE STAIRWELL SIDE OF THE DOOR.
 - 5 INSTALL WEATHERPROOF EXIT SIGN ABOVE GATE IN FENCE AS SHOWN.
 - 6 INSTALL "RUNNING PERSON" EXIT SIGN ON WALL.

REFER TO DRAWING SEP-278 FOR FIXTURE SCHEDULE.



KEY PLAN
N.T.S.

DESIGNED BY T. CHURCH		APPROVED BY C. REIMER	
CHECKED BY C. REIMER		DATE 2011/03/11	
PROJECT NO. 112577	SUBJECT 0106	SERIAL 47 DD	REV. 2400 2

B.M. ELEV.		MACLAREN ENGINEERS INC. WARDROP ENGINEERING INC.	
		ENGINEERING CONSULTANTS	
		DESIGNED BY R. TIBOR	CHECKED BY
		DRAWN BY B.C. TIANGSING / CAD	APPROVED BY
		HOR. SCALE: 1:100	RELEASED FOR CONSTRUCTION:
		VERTICAL:	DATE
		88-12-20	

ORIGINAL DRAWING SEALED BY: T. M. CHURCH SNC-LAVALIN 2011/03/25 REV. 02 CHANGES ONLY
CONSULTANT DRAWING NO. 870012-01-16-E103

THE CITY OF WINNIPEG
WORKS AND OPERATIONS DIVISION
WATERWORKS, WASTE & DISPOSAL DEPARTMENT

SOUTH END WATER POLLUTION CONTROL CENTRE

PRIMARY CLARIFIER EXPANSION - ELECTRICAL

EXISTING CLARIFIERS - EL.234 M & 238 M
ELECTRICAL - LIGHTING

CITY DRAWING NUMBER
SHEET OF
SEP-277