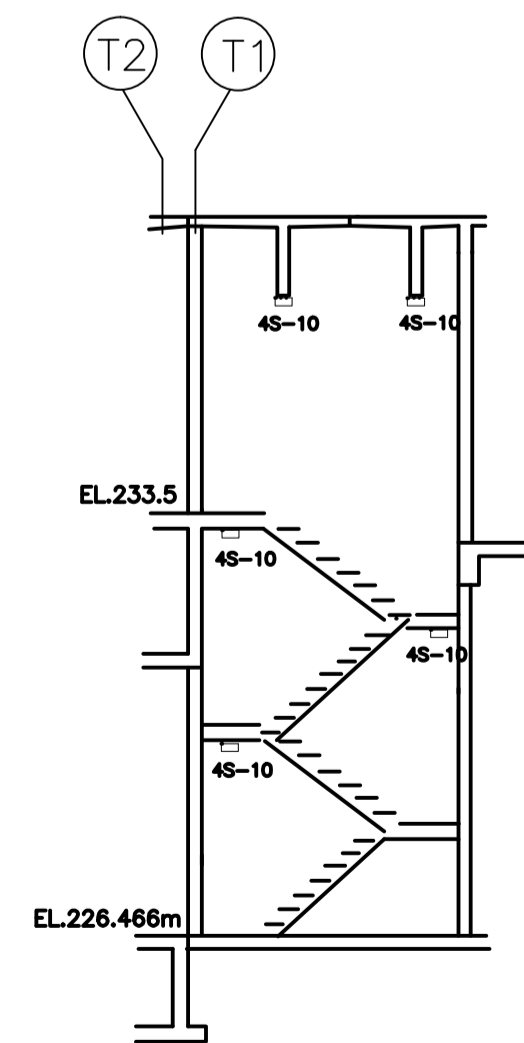
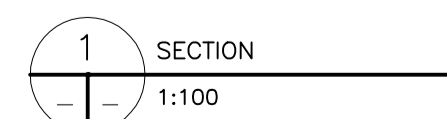


ELEVATION 226.466m



STAIRWELL S119



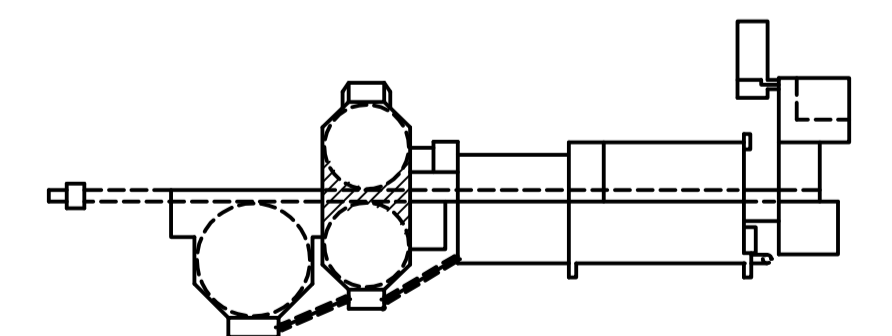
CONSTRUCTION NOTES

1 INSTALL SINGLE FACED EXIT SIGN IN MIDDLE OF THE GALLERY BELOW VENTILATION DUCT. SIGN TO BE FACING EAST DIRECTING OCCUPANTS WEST TO NEXT SET OF STAIRS. INSTALL UNISTRUT AS REQUIRED TO SUPPORT EXIT SIGN WITHOUT OBSTRUCTING GALLERY. INSTALLATION TO BE TO THE SATISFACTION OF THE CONTRACT ADMINISTRATOR.

SNC-LAVALIN INC. 148 Ingle Park Way Winnipeg, Manitoba Canada R3P 0X7					
DESIGNED BY:	T. CHURCH	APPROVED BY:	C. REIMER	DATE:	2011/03/11
CHECKED BY:	C. REIMER	DATE:	2011/03/11		
PROJECT NO.	112577	SUBJOB:	0106	SUBJECT:	47 DD 2601 2

REFER TO DRAWING SEP-454 FOR FIXTURE SCHEDULE.

B.M. ELEV.		MACLAREN ENGINEERS INC.	ENGINEER'S SEAL
		WARDROP ENGINEERING INC.	ORIGINAL DRAWING SEALED BY:
		ENGINEERING CONSULTANTS	T. M. CHURCH
		DESIGNED BY: T.W.S.C.	SNC-LAVALIN
		CHECKED BY:	2011/03/25
		DRAWN BY: V.R.	REV. 02
		APPROVED BY:	CHANGES ONLY
		HOR. SCALE: 1:125	CONSULTANT DRAWING NO.
		VERTICAL: 1:125	43525-24-S-E105
		RELEASED FOR CONSTRUCTION:	
		DATE	



KEYPLAN
N.T.S.

THE CITY OF WINNIPEG
 WORKS AND OPERATIONS DIVISION
 WATERWORKS, WASTE & DISPOSAL DEPARTMENT
 SOUTH END WATER POLLUTION CONTROL CENTRE
SECONDARY CLARIFIER EXPANSION - ELECT.
 LIGHTING & RECEPTACLES
 BASEMENT

CITY DRAWING NUMBER
 SHEET OF
 SEP-455