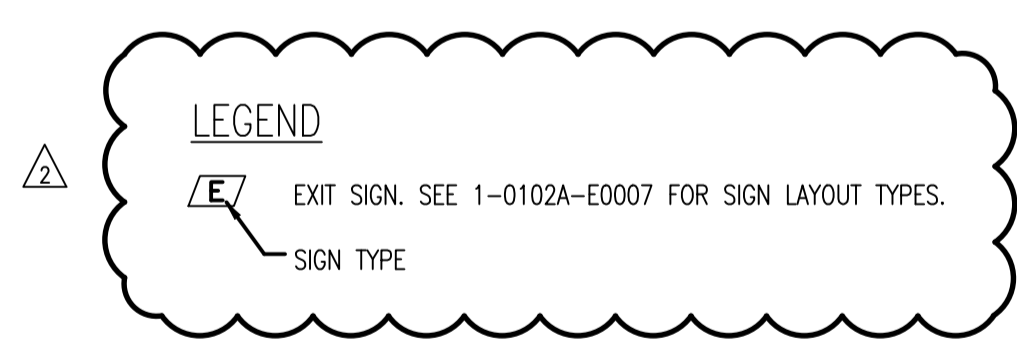
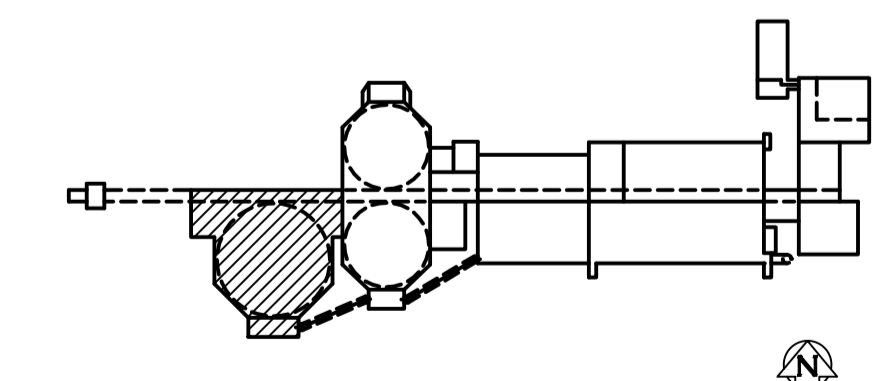


1 STAIRWELL DETAIL
SEP-459 SEP-459 N.T.S.



- CONSTRUCTION NOTES
- 1 INSTALL FLUORESCENT LIGHT IN SECONDARY CLARIFIER ROOM MOUNTED TO CEILING, AS SHOWN.
 - 2 INSTALL EXIT SIGN IN EXIT CORRIDOR AS SHOWN.
 - 3 INSTALL 'NOT AN EXIT' SIGN ON THE EXIT CORRIDOR SIDE OF THE DOOR.



KEYPLAN
N.T.S.

ELEVATION 233.477 m

REFER TO DRAWING SEP-454 FOR FIXTURE SCHEDULE.

		SNC-LAVALLIN INC. 148 Notre Dame St. Winnipeg, Manitoba Canada R2P 3K7	
DESIGNED BY	T. CHURCH	APPROVED BY	C. REIMER
CHECKED BY	C. REIMER	DATE	2011/03/11
PROJECT NO.	112577	SUBJECT	47 DO
SUBSERIAL	0106	DATE	2602
REV.		REV.	2

NO.	REVISIONS	DATE	BY
2	ADDED ESSENTIAL LIGHTING AND EXIT SIGNS	2011/03/11	TMC
1	AS CONSTRUCTED	06/93	B.T.
0	ISSUED FOR TENDER	07/90	RDJ

MACLAREN ENGINEERS INC. WARDROP ENGINEERING INC. ENGINEERING CONSULTANTS	
DESIGNED BY	T.W.S.C.
CHECKED BY	
DRAWN BY	V.R.
APPROVED BY	
HOR. SCALE:	1:125
VERTICAL:	1:125
RELEASED FOR CONSTRUCTION:	
DATE	

ENGINEER'S SEAL
ORIGINAL DRAWING SEALED BY:
T. M. CHURCH
SNC-LAVALLIN
2011/03/25
REV. 02
CHANGES ONLY
CONSULTANT DRAWING NO.
43525-24-S-E109

	THE CITY OF WINNIPEG WORKS AND OPERATIONS DIVISION WATERWORKS, WASTE & DISPOSAL DEPARTMENT	
	SOUTH END WATER POLLUTION CONTROL CENTRE	CITY DRAWING NUMBER
SECONDARY CLARIFIER NO. 3 LIGHTING & RECEPTACLES MAIN FLOOR PLAN		SHEET OF
		SEP-459