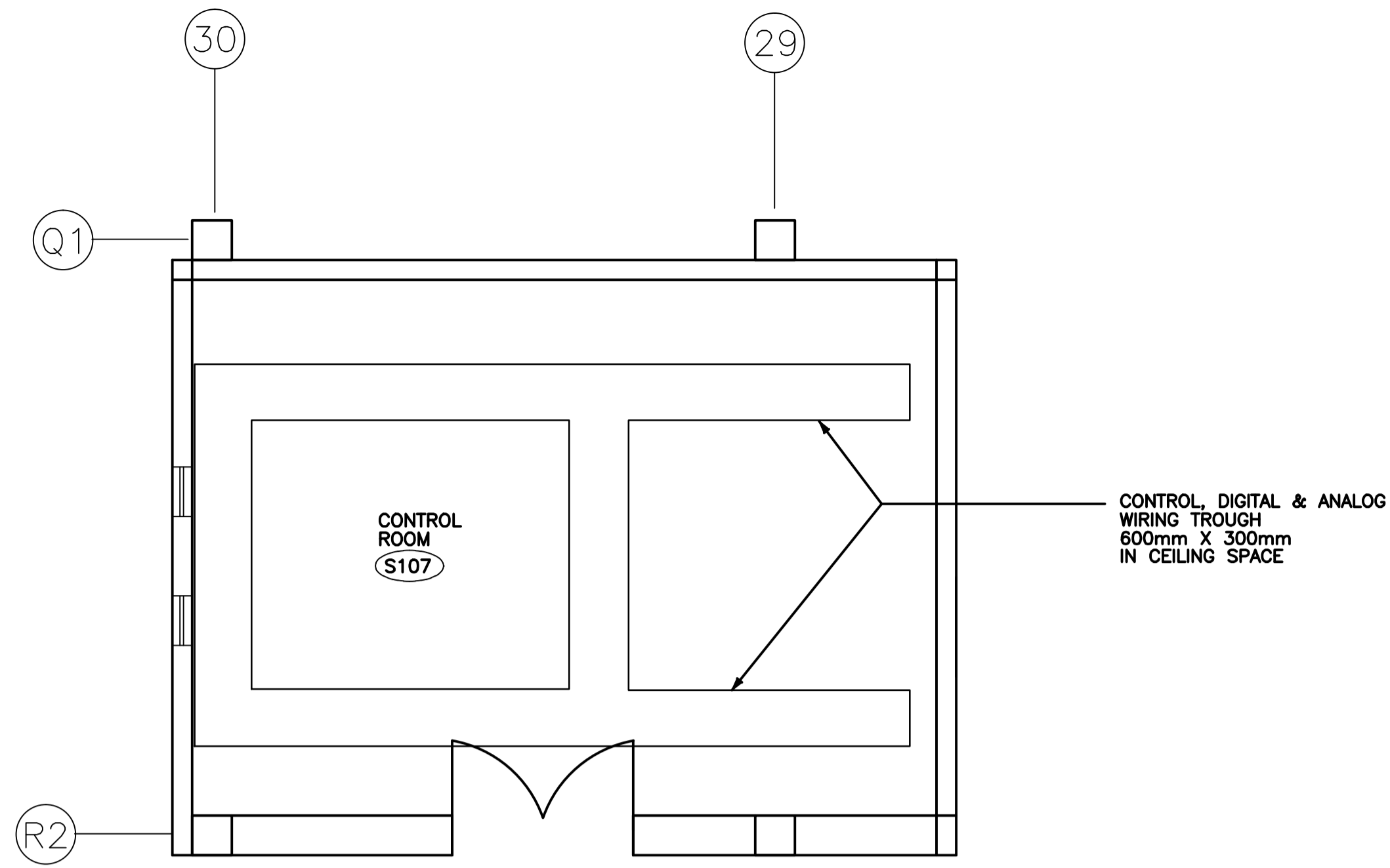
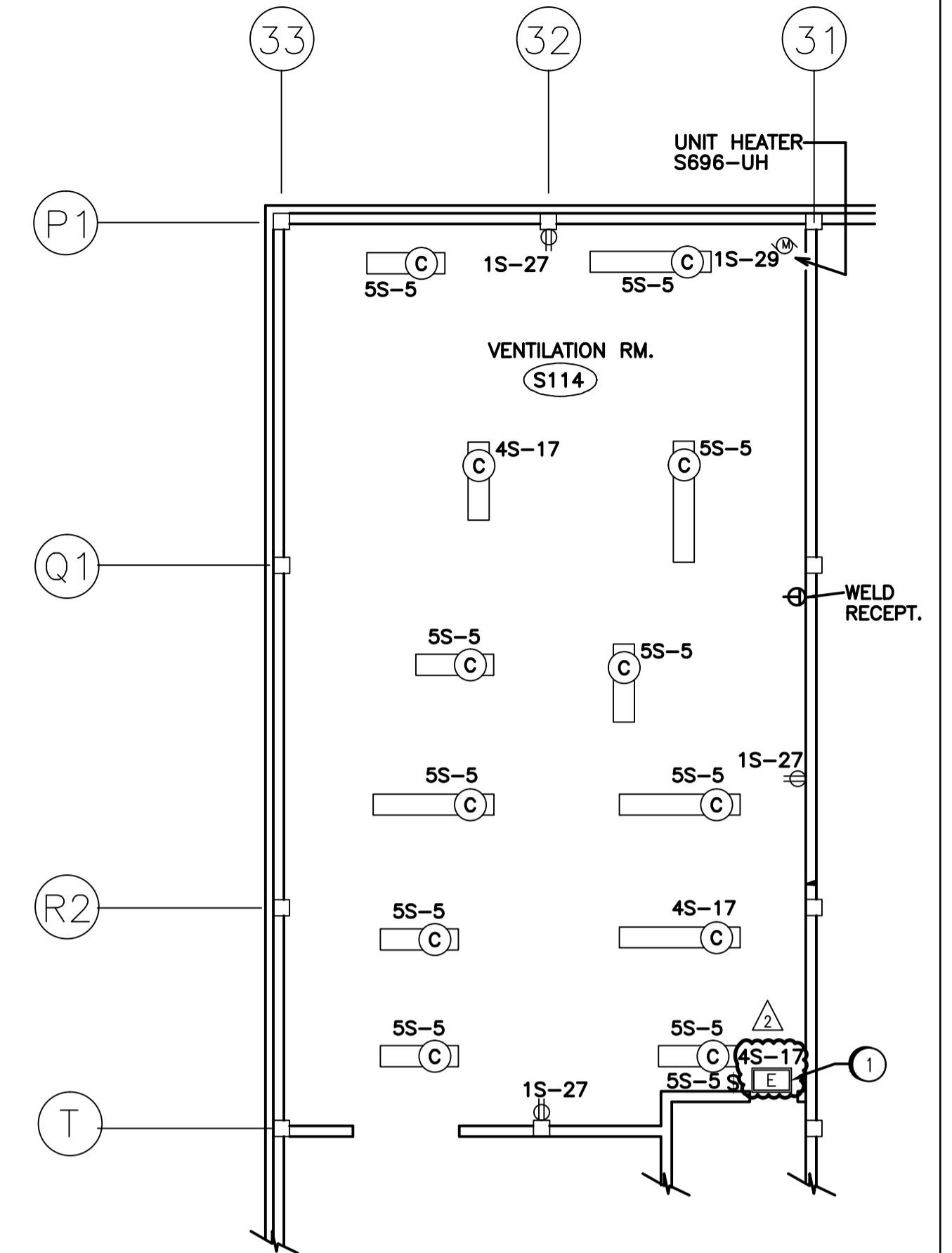


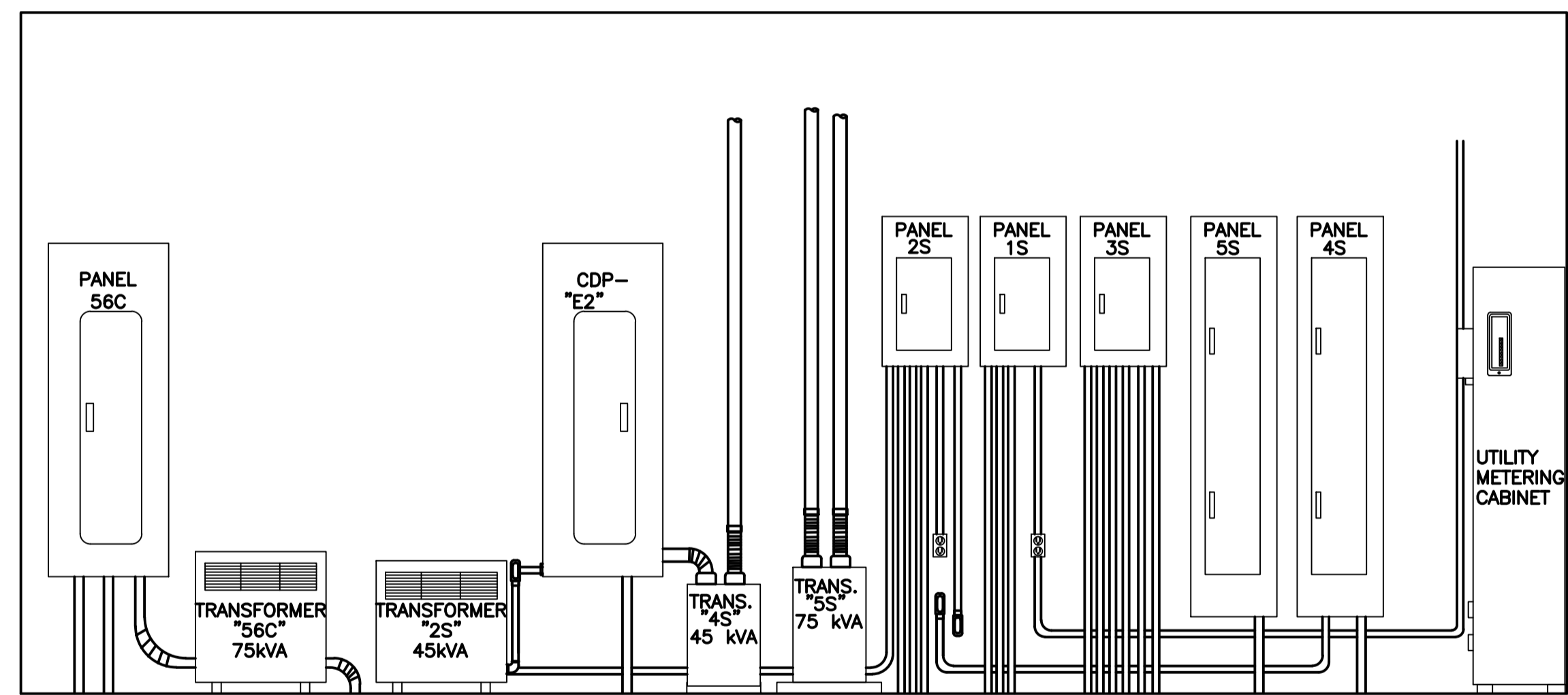
LIGHTING LAYOUT
PLAN AT ELEVATION 228.5m
SCALE 1:50



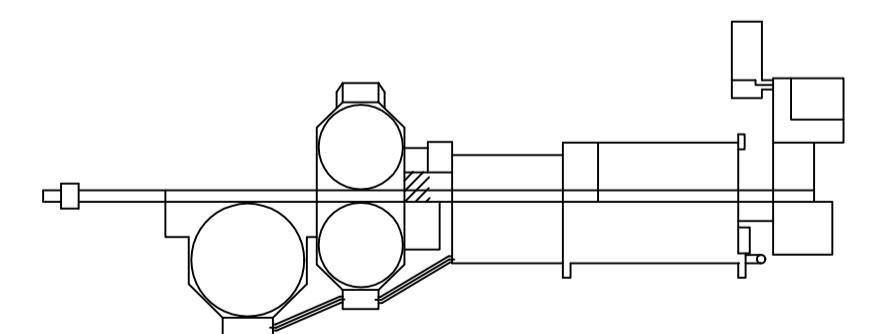
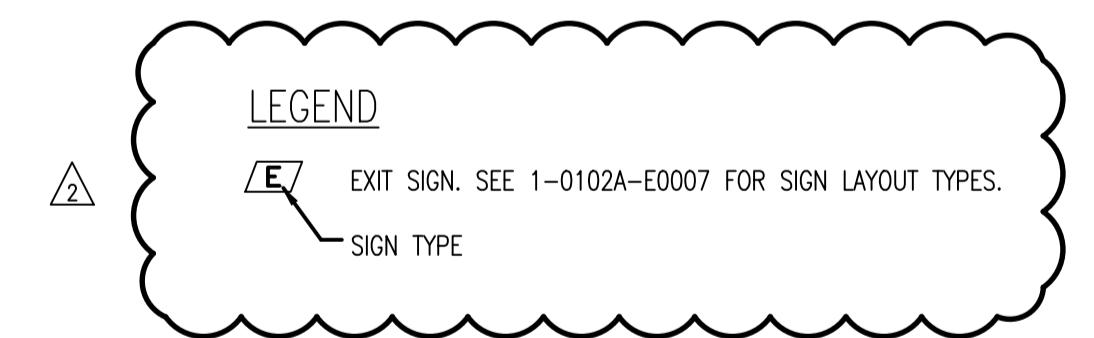
WIRING TROUGH LAYOUT
PLAN AT ELEVATION 228.5m
SCALE 1:50



PLAN AT ELEVATION 237.5m
SCALE 1:100



2 ELECTRICAL ROOM NORTH WALL EQUIPMENT LAYOUT
SEP-462 SEP-463 N.T.S.



KEY PLAN
N.T.S.


CONSTRUCTION NOTES
1 INSTALL EXIT SIGN AS SHOWN.

REFER TO DRAWING SEP-454 FOR FIXTURE SCHEDULE.

SNC-LAVALIN INC. 148 Notre Dame St. W. Winnipeg, Manitoba Canada R3P 0X7	
DESIGNED BY T. CHURCH	APPROVED BY C. REIMER
CHECKED BY C. REIMER	DATE 2011/03/11
PROJECT NO. 112577	SUBJECT 0106
SERIAL 47 DD	REV. 2804 2

B.M. ELEV.	DESIGNED BY D.B.T.	CHECKED BY
	APPROVED BY C.N./V.R.	APPROVED BY
2 ADDED ESSENTIAL LIGHTING AND EXIT SIGNS	DATE 2011/03/11	BY TMC
1 AS CONSTRUCTED	DATE 06/93	BY B.T.
0 ISSUED FOR TENDER	DATE 07/90	BY RDJ
NO. REVISIONS	DATE	BY
	DATE	DATE

ENGINEER'S SEAL
ORIGINAL DRAWING SEALED BY: T. M. CHURCH SNC-LAVALIN 2011/03/25 REV. 02 CHANGES ONLY
CONSULTANT DRAWING NO. 43525-24-S-E113

 THE CITY OF WINNIPEG WORKS AND OPERATIONS DIVISION WATERWORKS, WASTE & DISPOSAL DEPARTMENT	
SOUTH END WATER POLLUTION CONTROL CENTRE SECONDARY CLARIFIER EXPANSION - ELECT. VENTILATION & CONTROL ROOM LIGHTING & RECEPTACLES	CITY DRAWING NUMBER SHEET OF SEP-463